

2.1 Cable entry plates for cables without connectors



High cable density



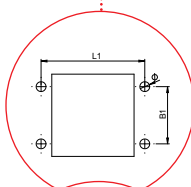
Fast and easy, partially tool-free assembly



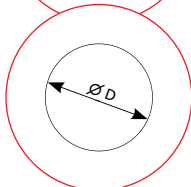
Compact, space-saving design



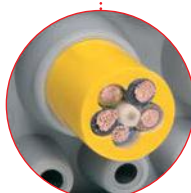
IP64 to IP68 rated protection, double cable sealing on front and back side (KEL-DPU / KEL-DPZ)



Many cut-outs acc. to industrial standard dimensions



For metric cut-outs M25 - M63 (KEL-DPZ / KEL-DP round)



Flexible clamping range

Product range



KEL-DPU

KEL-DPZ

KEL-DPZ round

KEL-DPZ-KL

KEL-DP

KEL-DP round

Chapter content 2.1



Cable entry plates
screw/snap-in mounting, high strain relief

KEL-DPU 24

82 – 83



Cable entry plates
screw mounting, strain relief

KEL-DPZ 24 / KEL-DPZ 16 / KEL-DPZ 6

84 – 87



Cable entry plates
screw mounting, strain relief

KEL-DPZ-B

88



Cable entry plates
screw mounting, strain relief

KEL-DPZ-E

89



Cable entry plates, round
with thread and locknut M25 – M63,
strain relief

KEL-DPZ round

90 – 91



Cable entry plates
screw mounting, strain relief

KEL-DPZ-KL

92



Cable entry plates
plug-in mounting

KEL-DP 24 / KEL-DP 16 / KEL-DP 6

94 – 96



Cable entry plates
plug-in mounting

KEL-DP-E

97



Cable entry plates, round
plug-in mounting, M25 – M50

KEL-DP round

98 – 99



Plugs for membranes

ST-B

93

2.1

KEL-DPU 24

Heavy-duty cable entry plates with high strain relief



IP66 **IP68**



Also available in black.



Also available with threaded bushings.



Tool-free assembly possible due to snap-in function

Product description

2.1

KEL-DPU entry plates are designed to route and seal cables without connectors (from 3.2 mm to 20.5 mm in diameter) in limited space with IP66 / IP68** / up to UL type 4X ratings.

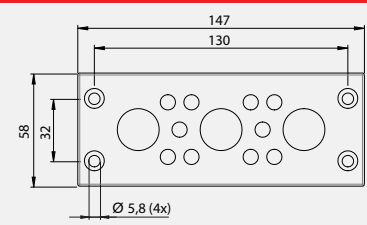
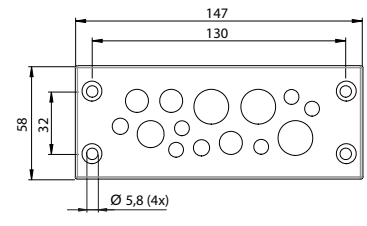
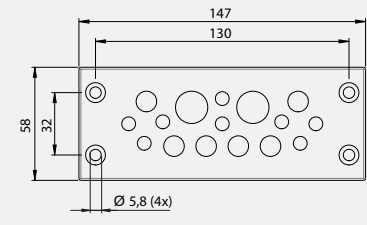
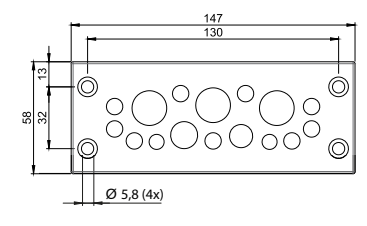
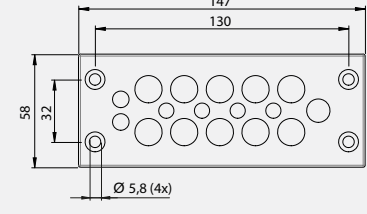
The KEL-DPU is particularly characterised by its solid robust frame and the increased strain relief of the routed cables.

The KEL-DPU 24 matches exactly the cut-out dimensions of 24-pin standard industrial connectors. For optional screw assembly just pierce the membranes on the integrated screw holes with the screw itself.

The assembly of the KEL-DPU with cables or pneumatic hoses can be done quick and easy. Simply make a small hole in the thin membrane and push the cables through.

ST-B Plugs can be used for sealing pierced membranes if cables have been removed.



Description	Type	Order No.	Number of cables	PU
	KEL-DPU 24 13	■ 43940 ■ 50940	10x 3.2 - 6.3 mm 3x 16 - 20.5 mm	10
	KEL-DPU 24 14	■ 43944 ■ 50944	5x 3.2 - 6.3 mm 2x 4 - 7.5 mm 3x 5.5 - 10.5 mm 1x 8 - 12.5 mm 3x 12 - 16.2 mm	10
	KEL-DPU 24 16	■ 43936 ■ 50936	8x 3.2 - 5.5 mm 6x 5 - 8.5 mm 2x 9.5 - 14.5 mm	10
	KEL-DPU 24 16-1	■ 43932 ■ 50932	2x 3.2 - 6.3 mm 9x 4 - 7.5 mm 1x 5.5 - 10.5 mm 1x 8 - 12.5 mm 3x 12 - 16.2 mm	10
	KEL-DPU 24 17	■ 43934 ■ 50934	4x 3.2 - 6.3 mm 2x 4 - 7.5 mm 1x 5.5 - 10.5 mm 10x 8 - 12.5 mm	10

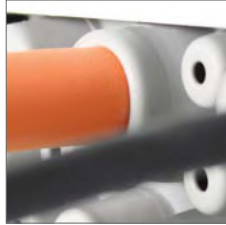
* Only valid for grey product types | ** IP68 only when screw mounted

KEL-DPU 24

Heavy-duty cable entry plates with high strain relief



Membrane on front



Conical shape on back provides additional sealing and strain relief



Resistant against industrial detergents (ECOLAB certified)



Description	Type	Order No.	Number of cables	PU
	KEL-DPU 24 20	■ 43938 ■ 50938	12 × 3.2 - 5.5 mm 8 × 5 - 10.5 mm	10
	KEL-DPU 24 21	■ 43930 ■ 50930	1 × 3.2 - 6.3 mm 14 × 4 - 7.5 mm 4 × 5.5 - 10.5 mm 2 × 8 - 12.5 mm	10
	KEL-DPU 24 32	■ 43942 ■ 50942	32 × 3.2 - 6.3 mm	10

* Only valid for grey product types | ** IP68 only when screw mounted

Advantages & benefits

- Snap or screw mounting possible
- High strength & stability
- High strain relief
- Fast and easy assembly
- High cable density
- Dual cable sealing with IP66/IP68**/up to UL type 4X
- Hygienic design - free of dirt-collecting recesses

2.1

Specifications

Material	Frame: Polypropylene (PP) Sealing plate: Elastomer
Colour	■ grey (similar RAL 7035) ■ black
Flame class	UL94-Vo, self-extinguishing
IP rating	IP66/IP67/IP68 (certified acc. to EN 60529)
UL type rating	UL type 12 (acc. to UL 50E) UL type 4X (acc. to UL 50E)
Temperature	- 40°C to + 100°C (static)
Properties	Halogen-free, silicone-free
Cut-out dimensions	36 × 112 mm / page 220 - 221
Plate depth	14 mm
For wall thickness (snap-in mounting)	1.5 - 2 mm

Accessories

ST-B Plugs	93
KEL-EMC-PF Cable collectors	149
FP Flanged plates	194 - 203

KEL-DPZ 24

Cable entry plates



IP66



Also available in black.



Also available with threaded bushings.



Membrane on front

Product description

2.1

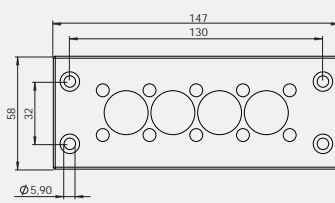
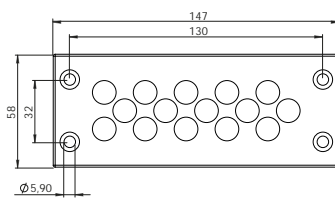
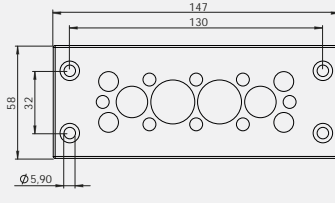
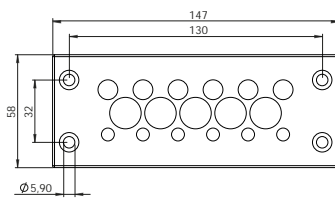
KEL-DPZ 24 entry plates are designed to route and seal up to 121 cables without connectors or fibre optics (from 1.5 mm to 22 mm in diameter) in limited space.

The KEL-DPZ products are a cost and time saving alternative to traditional cable glands.

The assembly of the KEL-DPZ 24 with cables or pneumatic hoses can be done quick and easy. Simply make a small hole in the thin membrane, push the cables through. The KEL-DPZ 24 provides strain relief and protection up to IP66 / UL type 12.

The size KEL-DPZ 24 matches exactly the cut-out dimensions of 24-pin standard industrial connectors.

ST-B Plugs can be used for sealing pierced membranes if cables have been removed.

Description	Type	Order No.	Number of cables	PU
	KEL-DPZ 24 14	■ 43700 ■ 50700	10× 3.2 - 6.5 mm 4× 16 - 22 mm	10
	KEL-DPZ 24 15	■ 43720 ■ 50720	15× 7.2 - 12 mm	10
	KEL-DPZ 24 16	■ 43725 ■ 50725	8× 3.2 - 6.5 mm 4× 5 - 9.7 mm 2× 9 - 16.2 mm 2× 16 - 22 mm	10
	KEL-DPZ 24 17	■ 43705 ■ 50705	6× 3.2 - 6.5 mm 6× 5 - 10.2 mm 5× 9 - 16.2 mm	10

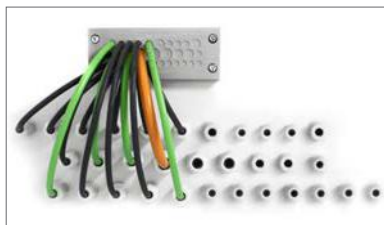
* Only valid for grey product types

KEL-DPZ 24

Cable entry plates



Conical shape on back provides additional sealing and strain relief



High cable density



IP66

Description	Type	Order No.	Number of cables	PU
	KEL-DPZ 24 25	■ 43710 ■ 50710	12× 3.2 - 6.5 mm 7× 4.8 - 9.7 mm 6× 7.5 - 12 mm	10
	NEW KEL-DPZ 24 26	■ 43711 ■ 50711	26× 5.0 - 10.2 mm	10
	KEL-DPZ 24 32	■ 43730 ■ 50730	21× 3.2 - 6.5 mm 8× 5 - 10.2 mm 3× 7.5 - 12 mm	10
	KEL-DPZ 24 42	■ 43715 ■ 50715	42× 3.2 - 6.5 mm	10
	KEL-DPZ 24 121	■ 43735 ■ 50735	119× 1.5 - 2.6 mm 2× 2.5 - 5 mm	10

* Only valid for grey product types.

Advantages & benefits

- Fast and easy assembly
- High cable density
- Dual sealing acc. to IP65/IP66/UL type 12
- Automatic sealing and strain relief for the cable
- Hygienic design

2.1

Specifications

Material	Frame: Polyamide (PA)
Colour	Sealing plate: Elastomer ■ grey (similar RAL 7035) ■ black
Flame class	UL94-Vo, self-extinguishing
IP rating	IP65/IP66 (certified acc. to EN 60529)
UL type rating	UL type 12 (acc. to UL 50E)
Temperature	- 40°C to + 100°C (static)
Properties	Halogen-free, silicone-free
Cut-out dimensions	36 × 112 mm / page 220 - 221
Plate depth	14 mm

Accessories

ST-B Plugs	93
KEL-EMC-PF Cable collectors	149
FP Flanged plates	194 - 203

KEL-DPZ 16

Cable entry plates



Product description

KEL-DPZ 16 entry plates are designed to route and seal a high number of cables without connectors or fibre optics (from 3.2 mm to 16.2 mm in diameter) in limited space.

The size KEL-DPZ 16 matches exactly the cut-out dimensions of 16-pin standard industrial connectors.

The assembly of the KEL-DPZ 16 with cables or pneumatic hoses can be done quick and easy. Simply make a small hole in the thin membrane, push the cables through. The KEL-DPZ 16 provides strain relief and protection up to IP66. ST-B Plugs can be used for sealing pierced membranes if cables have been removed.

Advantages & benefits

- Fast and easy assembly
- High cable density
- Dual sealing acc. to IP65/IP66
- Automatic sealing and strain relief for the cable
- Hygienic design

Specifications

Material	Frame: Polyamide (PA) Sealing plate: Elastomer
Colour	■ grey (similar RAL 7035)
Flame class	UL94-V0, self-extinguishing
IP rating	IP65/IP66 (certified acc. to EN 60529)
UL type rating	UL type 12 (acc. to UL 50E)
Temperature	- 40°C to + 100°C (static)
Properties	Halogen-free, silicone-free
Cut-out dimensions	36 × 86 mm
Plate depth	14 mm

Accessories

ST-B Plugs	93
KEL-EMC-PF Cable collectors	149
FP Flanged plates	194 - 203

Description	Type	Order No.	Number of cables	PU
	KEL-DPZ 16 11	43815	11× 7.5 - 12 mm	10
	KEL-DPZ 16 14	43816	5× 3.2 - 6.5 mm 5× 5 - 10.2 mm 4× 9 - 16.2 mm	10
	KEL-DPZ 16 20	43817	11× 3.2 - 6.5 mm 5× 5 - 10.2 mm 4× 7.5 - 12 mm	10
	KEL-DPZ 16 25	43818	16× 3.2 - 6.5 mm 6× 5 - 10.2 mm 3× 7.5 - 12 mm	10
	KEL-DPZ 16 34	43819	34× 3.2 - 6.5 mm	10

KEL-DPZ 6

Cable entry plates



IP66

Description	Type	Order No.	Number of cables	PU
	KEL-DPZ 6 12	43809	12 x 4.5 - 8.0 mm	10
	KEL-DPZ 6 18-1	43811	7 x 4.5 - 8.0 mm 5 x 3.2 - 6.5 mm 6 x 2.5 - 5.0 mm	10
	KEL-DPZ 6 18	43812	18 x 3.2 - 6.5 mm	10
	KEL-DPZ 6 23	43813	10 x 3.2 - 6.5 mm 13 x 2.5 - 5.0 mm	10
	KEL-DPZ 6 27	43814	27 x 2.5 - 5.0 mm	10

Product description

KEL-DPZ 6 entry plates are designed to route and seal a high number of cables without connectors or fibre optics (from 2.5 mm to 8 mm in diameter) in limited space.

The size KEL-DPZ 6 matches exactly the cut-out dimensions of 6-pin standard industrial connectors.

The assembly of the KEL-DPZ 6 with cables or pneumatic hoses can be done quick and easy. Simply make a small hole in the thin membrane, push the cables through. The KEL-DPZ 6 provides strain relief and protection up to IP66. ST-B Plugs can be used for sealing pierced membranes if cables have been removed.

Advantages & benefits

- Fast and easy assembly
- High cable density
- Dual sealing acc. to IP65/IP66
- Automatic sealing and strain relief for the cable
- Hygienic design

Specifications

Material	Frame: Stainless steel V2A Sealing plate: Elastomer
Colour	■ grey (similar RAL 7035)
Flame class	UL94-Vo, self-extinguishing
IP rating	IP65/IP66 (certified acc. to EN 60529)
UL type rating	UL type 12 (acc. to UL 50E)
Temperature	- 40°C to + 100°C (static)
Properties	Halogen-free, silicone-free
Cut-out dimensions	36 x 52 mm
Plate depth	7,5 mm

Accessories

ST-B Plugs	93
KEL-EMC-PF Cable collectors	149
FP Flanged plates	194 - 203

KEL-DPZ-B

Cable entry plates



Also available in black.



Also available with threaded bushings.



Membrane on front

Product description

The KEL-DPZ-B entry plates are designed for routing cables without connectors.

The assembly of the KEL-DPZ-B with cables or pneumatic hoses can be done quick and easy. Simply make a small hole in the thin membrane and push the cables through. The KEL-DPZ-B provides strain relief and protection IP66 / UL type 12.

With an area of only 46 × 46 mm, up to 25 cables can be easily routed and sealed.

ST-B Plugs can be used for sealing pierced membranes if cables have been removed.

Advantages & benefits

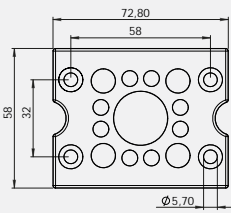
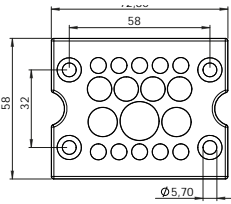
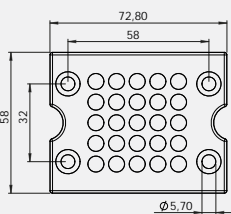
- Space saving shape
- Dual sealing of cables acc. to IP66/UL type 12
- High cable density
- Fast and easy assembly
- Hygienic design

Specifications

Material	Frame: Polyamide (PA) Sealing plate: Elastomer
Colour	■ grey (similar RAL 7035) ■ black
Flame class	UL94-Vo, self-extinguishing
IP rating	IP66 (certified acc. to EN 60529)
UL type rating	UL type 12 (acc. to UL 50E)
Temperature	- 40°C to + 100°C (static)
Properties	Halogen-free, silicone-free
Cut-out dimensions	46 × 46 mm / page 220 - 221
Plate depth	10 mm

Accessories

ST-B Plugs	93
FP Flanged plates	194 - 203

Description	Type	Order No.	Number of cables	PU
	KEL-DPZ-B 13	■ 43794 ■ 50794	8× 3.2 - 6.5 mm 4× 5 - 10.2 mm 1× 16 - 22 mm	10
	KEL-DPZ-B 17	■ 43796 ■ 50796	10× 3.2 - 6.5 mm 4× 5 - 10.2 mm 2× 7.5 - 12 mm 1× 9 - 16.2 mm	10
	KEL-DPZ-B 25	■ 43798 ■ 50798	25× 3.2 - 6.5 mm	10

* Only valid for grey product types

KEL-DPZ-E

Cable entry plates

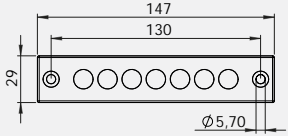
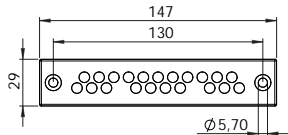


Conical shape on back provides additional sealing and strain relief



Also available in black.



Description	Type	Order No.	Number of cables	PU
	KEL-DPZ-E 112 7	43780 50780	7x 7.5 - 12 mm	10
	KEL-DPZ-E 112 21	43790 50790	21x 3.2 - 6.5 mm	10

* Only valid for grey product types

Product description

KEL-DPZ-E is designed for routing cables without connectors without connectors in very small space.

The assembly of the KEL-DPZ-E with cables or pneumatic hoses can be done quick and easy. Simply make a small hole in the thin membrane, push the cables through. The KEL-DPZ-E provides strain relief and protection IP66 / UL type 12.

With an area of only 18 × 112 mm, up to 21 cables can be easily routed and sealed.

ST-B Plugs can be used for sealing pierced membranes if cables have been removed.

Advantages & benefits

- Space saving shape
- Dual sealing of cables acc. to IP66/UL type 12
- High cable density
- Fast and easy assembly
- Hygienic design

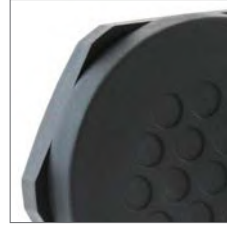
Specifications

Material	Frame: Polyamide (PA)
	Sealing plate: Elastomer
Colour	grey (similar RAL 7035) black
Flame class	UL94-Vo, self-extinguishing
IP rating	IP66 (certified acc. to EN 60529)
UL type rating	UL type 12 (acc. to UL 50E)
Temperature	- 40°C to + 100°C (static)
Properties	Halogen-free, silicone-free
Cut-out dimensions	18 × 112 mm / page 220 - 221
Plate depth	14 mm

Accessories

ST-B Plugs	93
KEL-EMC-PF Cable collectors	149

KEL-DPZ round Cable entry plates



Also available in black.



Membrane on front



Conical shape on back provides additional sealing and strain relief

Product description

2.1

KEL-DPZ entry plates are designed to route and seal cables without connectors or fibre optics (from 1.5 mm to 22 mm in diameter) in limited space.

The assembly of the KEL-DPZ round with cables or pneumatic hoses can be done quick and easy. Simply make a small hole in the thin membrane, push the cables through. The KEL-DPZ round provides strain relief and protection IP66 / IP68 / UL type 4X.

The round versions of the KEL-DPZ series have a thread to fit in metric cut-outs from M25 to M63. Thus cut-outs for metric cable glands can be used.

ST-B Plugs can be used for sealing pierced membranes if cables have been removed.

Type	Order No.	Number of cables	Thread metric	External diameter	Mounting height	PU
NEW KEL-DPZ 25 3	■ 43736	2× 3.2 - 5.2 mm	M25 × 1.5	39 mm	8 mm	10
	■ 50736	1× 3.2 - 6.5 mm				
NEW KEL-DPZ 25 4	■ 43737	4× 3.2 - 5.2 mm	M25 × 1.5	39 mm	8 mm	10
	■ 50737					
KEL-DPZ 32 4	■ 43732	3× 3.2 - 6.5 mm 1× 7.2 - 12.5 mm	M32 × 1.5	44 mm	8 mm	10
	■ 50732					
KEL-DPZ 32 4-2	■ 43733	4× 5 - 9.5 mm	M32 × 1.5	44 mm	8 mm	10
	■ 50733					
KEL-DPZ 32 7	■ 43734	7× 3.2 - 6.5 mm	M32 × 1.5	44 mm	8 mm	10
	■ 50734					
KEL-DPZ 40 8	■ 43741	4× 3.2 - 6.5 mm 4× 5 - 10.2 mm	M40 × 1.5	52 mm	8 mm	10
	■ 50741					
KEL-DPZ 50 8	■ 43750	5× 5 - 10.2 mm 3× 7.2 - 12.5 mm	M50 × 1.5	62 mm	8 mm	10
	■ 50750					
KEL-DPZ 50 10	■ 43751	7× 3.2 - 6.5 mm 2× 5 - 10.2 mm 1× 16 - 22.2 mm	M50 × 1.5	62 mm	8 mm	10
	■ 50751					
KEL-DPZ 50 12	■ 43752	4× 3.2 - 6.5 mm 8× 5 - 10.2 mm	M50 × 1.5	62 mm	8 mm	10
	■ 50752					

* Only valid for grey product types



KEL-DPZ round Cable entry plates



Type	Order No.	Number of cables	Thread metric	External diameter	Mounting height	PU
KEL-DPZ 50 19	43758	19× 3.2 - 6.5 mm	M50 × 1.5	62 mm	8 mm	10
	50758					
KEL-DPZ 50 78	43756	76× 1.5 - 2.6 mm 2× 2.5 - 5 mm	M50 × 1.5	62 mm	8 mm	10
	50756					
KEL-DPZ 63 9	43760	1× 3.2 - 6.5 mm 3× 5 - 10.2 mm 4× 9 - 16.2 mm 1× 16 - 22.2 mm	M63 × 1.5	75 mm	8 mm	10
	50760					
KEL-DPZ 63 13	43761	4× 3.2 - 6.5 mm 4× 5 - 10.2 mm 5× 9 - 16.2 mm	M63 × 1.5	75 mm	8 mm	10
	50761					
KEL-DPZ 63 14	43762	14× 5 - 10.2 mm	M63 × 1.5	75 mm	8 mm	10
	50762					
KEL-DPZ 63 35	43763 50763	35× 3.2 - 6.5 mm	M63 × 1.5	75 mm	8 mm	10

* Only valid for grey product types

Advantages & benefits

- Quick and easy tool-free assembly
- High cable density
- Automatic sealing and strain relief for the cable
- Suitable for metric cut-outs
- Polyamide locknuts are included in the shipment
- Dual sealing of cables acc. to IP66 /IP68 / up to UL type 4X
- Hygienic design - free of dirt-collecting recesses

Specifications

Material	Thread frame: Polyamide (PA)
Colour	Sealing plate: Elastomer <input type="checkbox"/> grey (similar RAL 7035) <input checked="" type="checkbox"/> black
Flame class	UL94-Vo, self-extinguishing
IP rating	IP66/IP67/IP68 (certified acc. to EN 60529)
UL type rating	UL type 12 (acc. to UL 50E) UL type 4X (acc. to UL 50E)
Temperature Properties	- 40°C to + 100°C (static)
Cut-out dim.	Halogen-free, silicone-free
Thread length	Metric sizes
Plate depth	14 mm
	8 mm

Accessories

ST-B Plugs	93
FP Flanged plates	194 - 203
MP Module plates	188 - 189

KEL-DPZ-KL

Cable entry plates



IP65



Also available in black.



Membrane on front



Conical shape on back provides additional sealing and strain relief

Product description

The cable entry plate KEL-DPZ-KL is designed for routing up to 72 cables without connectors.

The assembly of the KEL-DPZ-KL with cables or pneumatic hoses can be done quick and easy. Simply make a small hole in the thin membrane, push the cables through. The KEL-DPZ-KL provides strain relief and protection IP65 / UL type 12.

ST-B Plugs can be used for sealing pierced membranes if cables have been removed.

The KEL-DPZ-KL matches on terminal boxes KL/KX by Rittal.

Advantages & benefits

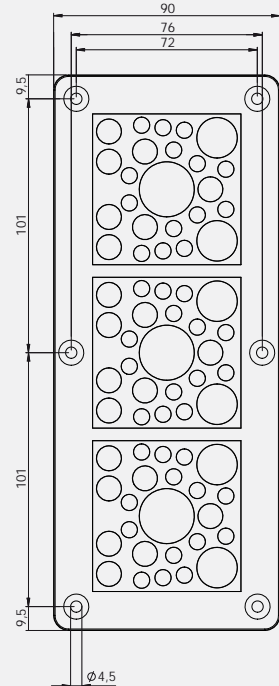
- Space saving shape
- Dual sealing of cables acc. to IP65/UL type 12
- High cable density
- Fast and easy assembly
- Hygienic design

Specifications

Material	Frame: Stainless steel V2A, moulded with elastomer Sealing plate: Elastomer Screws: Stainless steel V2A
Colour	<input type="checkbox"/> grey (similar RAL 7035) <input checked="" type="checkbox"/> black
Flame class	UL94-Vo, self-extinguishing
IP rating	IP65 (certified acc. to EN 60529)
UL type rating	UL type 12 (acc. to UL 50E)
Temperature	- 40°C to + 100°C (static)
Properties	Halogen-free, silicone-free
Cut-out dimensions	192 × 62 mm
Plate depth	4 mm

Accessories

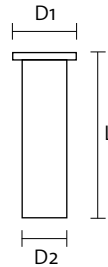
ST-B Plugs 93

Description	Type	Order No.	Number of cables	PU
	KEL-DPZ-KL 72	<input type="checkbox"/> 43675.001	42× 3.2 - 6.5 mm	1
		<input type="checkbox"/> 43675.101	21× 5 - 10.2 mm	
			6× 9 - 16.2 mm 3× 16 - 22 mm	

* Only valid for grey product types

ST-B

Plugs for membranes



Type	Order No.	Diameter D1	Diameter D2	Length L	PU
ST-B 6	42806	8 mm	6 mm	16 mm	25
ST-B 10	42810	12 mm	10 mm	16 mm	25
ST-B 12	42812	15 mm	12 mm	16 mm	25
ST-B 16	42816	19 mm	16 mm	16 mm	25
ST-B 22	42822	25 mm	22 mm	21 mm	25
Assortment ST-B Plugs	42801	5× ST-B 6 5× ST-B 10 2× ST-B 12 1× ST-B 16 1× ST-B 22			

Product description

Plugs ST-B are used to seal already pierced membranes in various cable entry plates (KEL-DPU / KEL-DPZ / KEL-DP / KEL-QTA-DP) and DT grommets.

Perfect for applications where cables have been removed.

The IP rating of the cable entry plate remains.

Advantages & benefits

- Sealing of pierced cable entry membranes which are no longer in use

Specifications

Material	Polyamide (PA), white
Flame class	UL94-Vo, self-extinguishing
Temperature	- 40°C to + 120°C
Properties	Halogen-free, silicone-free

Compatible with

KEL-DPU Cable entry plates	82 - 83
KEL-DPZ Cable entry plates	84 - 92
KEL-DP Cable entry plates	94 - 99
DT Cable entry grommets	52
KEL-QTA-DP Cable entry plates	68 - 69

KEL-DP 24

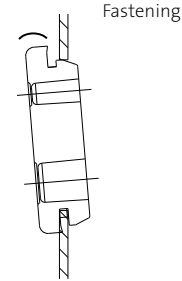
Cable entry plates



IP64



Also available in black.



Product description

KEL-DP entry plates are designed for routing cables without connectors. The KEL-DP products are a cost saving alternative to traditional cable glands. Simply make a small hole in the thin membrane and push the cables through. The KEL-DP 24 provides protection IP64 / UL Type 12.

A special rib ensures a centred fit in the cut-outs. ST-B Plugs can be used for sealing pierced membranes if cables have been removed.

Advantages & benefits

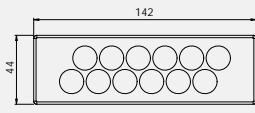
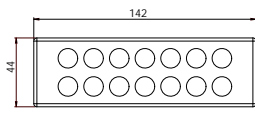
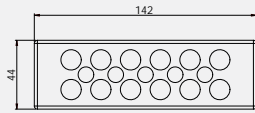
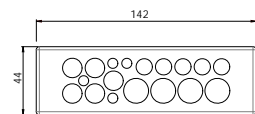
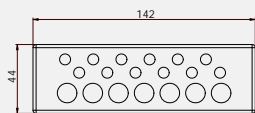
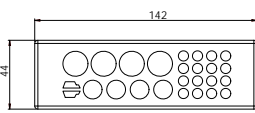
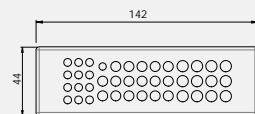
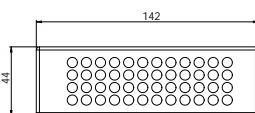
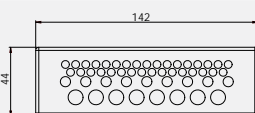
- Fast and easy assembly, no tools required
- Very good strain relief on the cable bundle
- High cable density
- Cost-effective
- Hygienic design – free of dirt-collecting recesses
- For wall thickness 1.5 - 4 mm

Specifications

Material	Elastomer
Colour	<input type="checkbox"/> grey (similar RAL 7035) <input checked="" type="checkbox"/> black
Flame class	UL94-Vo, self-extinguishing
IP rating	IP64 (certified acc. to EN 60529)
UL type rating	UL type 12 (acc. to UL 50E)
Temperature	- 40°C to + 100°C (static)
Properties	Halogen-free, silicone-free
Cut-out dimensions	36 × 112 mm
Plate depth	5 mm
Type A:	For wall thickness 1.5 - 2.5 mm
Type B:	For wall thickness 2.8 - 4 mm

Accessories

ST-B Plugs	93
FP Flanged plates	194 - 203

Description	Type	Order No. Type A	Order No. Type B	Number of cables	PU
	KEL-DP 24 12	<input type="checkbox"/> 43508 <input checked="" type="checkbox"/> 50508	–	12× max. 15 mm	10
	KEL-DP 24 14	<input type="checkbox"/> 43512 <input checked="" type="checkbox"/> 50512	<input type="checkbox"/> 43522 <input checked="" type="checkbox"/> 50522	14× max. 12.1 mm	10
	KEL-DP 24 17	<input type="checkbox"/> 43514 <input checked="" type="checkbox"/> 50514	<input type="checkbox"/> 43523 <input checked="" type="checkbox"/> 50523	5× max. 10.5 mm 12× max. 12.6 mm	10
	KEL-DP 24 18	<input type="checkbox"/> 43515 <input checked="" type="checkbox"/> 50515	<input type="checkbox"/> 43528 <input checked="" type="checkbox"/> 50528	4× max. 6.5 mm 5× max. 10.5 mm 5× max. 12.6 mm 4× max. 16.1 mm	10
	KEL-DP 24 19	<input type="checkbox"/> 43516 <input checked="" type="checkbox"/> 50516	<input type="checkbox"/> 43524 <input checked="" type="checkbox"/> 50524	12× max. 6.5 mm 7× max. 12.1 mm	10
	KEL-DP 24 26	<input type="checkbox"/> 43518 <input checked="" type="checkbox"/> 50518	<input type="checkbox"/> 43525 <input checked="" type="checkbox"/> 50525	16× max. 6.5 mm 4× max. 12.1 mm 4× max. 16.1 mm 2× ASI-cables	10
	KEL-DP 24 42	<input type="checkbox"/> 43511 <input checked="" type="checkbox"/> 50511	<input type="checkbox"/> 43521 <input checked="" type="checkbox"/> 50521	12× max. 7.2 mm 17× max. 6.4 mm 12× max. 5 mm 1× max. 4.7 mm	10
	KEL-DP 24 48	<input type="checkbox"/> 43519 <input checked="" type="checkbox"/> 50519	<input type="checkbox"/> 43526 <input checked="" type="checkbox"/> 50526	48x max. 6.5 mm	10
	KEL-DP 24 50	<input type="checkbox"/> 43520 <input checked="" type="checkbox"/> 50520	<input type="checkbox"/> 43527 <input checked="" type="checkbox"/> 50527	33x max. 5.3 mm 9x max. 6.4 mm 8x max. 8.3 mm	10

* Only valid for grey product types

KEL-DP 16

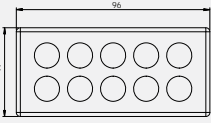
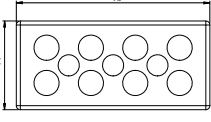
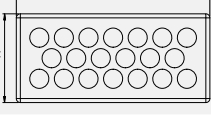
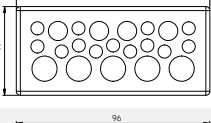
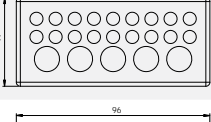
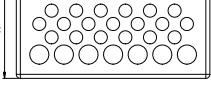
Cable entry plates



NEW



IP64

Description	Type	Order No.	Number of cables	PU
	KEL-DP 16 10	43460	10 x max. 12.1mm	10
	KEL-DP 16 11	43461	3 x max. 10.5 mm 8 x max. 12.6 mm	10
	KEL-DP 16 20	43462	20 x max. 8.3 mm	10
	KEL-DP 16 22	43463	5 x max. 12.1 mm 4 x max. 8.3 mm 13 x max. 6.5 mm	10
	KEL-DP 16 23	43464	18 x max. 6.5 mm 5 x max. 12.1 mm	10
	KEL-DP 16 26	43465	19 x max. 6.5 mm 7 x max. 8.3 mm	10

Product description

KEL-DP entry plates are designed for routing cables without connectors. The KEL-DP products are a cost saving alternative to traditional cable glands. Simply make a small hole in the thin membrane and push the cables through. The KEL-DP 24 provides protection IP64 / UL Type 12.

A special rib ensures a centred fit in the cut-outs. ST-B Plugs can be used for sealing pierced membranes if cables have been removed.

Advantages & benefits

- Fast and easy assembly, no tools required
- Very good strain relief on the cable bundle
- High cable density
- Cost-effective
- Hygienic design – free of dirt-collecting recesses
- For wall thickness 1.5 – 2.5 mm

Specifications

Material	Elastomer
Flame class	UL94-Vo, self-extinguishing
IP rating	IP64 (certified acc. to EN 60529)
UL type rating	UL type 12 (acc. to UL 50E)
Temperature	- 40°C to + 100°C (static)
Properties	Halogen-free, silicone-free
Cut-out dimensions	36 × 86 mm
Plate depth	5 mm
	For wall thickness 1.5 – 2.5 mm

Accessories

ST-B Plugs	93
FP Flanged plates	194 - 203

KEL-DP 6

Cable entry plates



IP64

Product description

KEL-DP entry plates are designed for routing cables without connectors. The KEL-DP products are a cost saving alternative to traditional cable glands. Simply make a small hole in the thin membrane and push the cables through. The KEL-DP 24 provides protection IP64 / UL Type 12.

A special rib ensures a centred fit in the cut-outs. ST-B Plugs can be used for sealing pierced membranes if cables have been removed.

Advantages & benefits

- Fast and easy assembly, no tools required
- Very good strain relief on the cable bundle
- High cable density
- Cost-effective
- Hygienic design – free of dirt-collecting recesses
- For wall thickness 1.5 – 2.5 mm

Specifications

Material	Elastomer
Flame class	UL94-Vo, self-extinguishing
IP rating	IP64 (certified acc. to EN 60529)
UL type rating	UL type 12 (acc. to UL 50E)
Temperature	- 40°C to + 100°C (static)
Properties	Halogen-free, silicone-free
Cut-out dimensions	36 × 52 mm
Plate depth	5 mm
	For wall thickness 1.5 – 2.5 mm

Accessories

ST-B Plugs	93
FP Flanged plates	194 - 203

Description	Type	Order No.	Number of cables	PU
	KEL-DP 6 6	43450	6 x max. 12.1 mm	10
	KEL-DP 6 12	43451	8 x max. 6.5 mm 2 x max. 12.6 mm 2 x max. 16.1 mm	10
	KEL-DP 6 14	43452	10 x max. 6.5 mm 4 x max. 10.5 mm	10
	KEL-DP 6 25	43453	21 x max. 5.0 mm 4 x max. 8.3 mm	10

KEL-DP-E

Cable entry plates



Also available in black.


IP64

Description	Type	Order No.	Cut-out [mm]	Number of cables	PU
	KEL-DP-E 46 7	■ 43585 ■ 50585	46 × 18	5× max. 8.3 mm 2× max. 6.5 mm	10
	KEL-DP-E 46 9	■ 43587 ■ 50587	46 × 18	8× max. 6.5 mm 1× max. 12.1 mm	10
	KEL-DP-E 86 13	■ 43581 ■ 50581	85 × 18	11× max. 8.3 mm 2× max. 6.5 mm	10
	KEL-DP-E 86 17	■ 43583 ■ 50583	85 × 18	16× max. 6.5 mm 1× max. 12.1 mm	10
	KEL-DP-E 112 16	■ 43576 ■ 50576	112 × 18	4× max. 6.5 mm 11× max. 8.3 mm 1× max. 12.1 mm	10
	KEL-DP-E 112 21	■ 43578 ■ 50578	112 × 18	16× max. 6.5 mm 4× max. 8.3 mm 1× max. 12.1 mm	10
	KEL-DP-S 69 8	■ 43591 ■ 50591	69 × 10 Edge radii R2	8 × max. 7.5 mm	10

* Only valid for grey product types

Product description

KEL-DP-E entry plates are designed for routing cables without connectors. The KEL-DP products are a cost saving alternative to traditional cable glands.

Simply make a small hole in the thin membrane and push the cables through. The KEL-DP-E provides protection IP64 / UL Type 12.

ST-B Plugs can be used for sealing pierced membranes if cables have been removed.

A special rib ensures a centred fit in the cut-outs.

Advantages & benefits

- Fast and easy assembly, no tools required
- High cable density
- Very good strain relief on the cable bundle
- Cost-effective
- Hygienic design – free of dirt-collecting recesses
- For wall thickness 1.5 - 2.5 mm

Specifications

Material	Elastomer
Colour	■ grey (similar RAL 7035) ■ black
Flame class	UL94-Vo, self-extinguishing
IP rating	IP64 (certified acc. to EN 60529)
UL type rating	UL type 12 (acc. to UL 50E)
Temperature	- 40°C to + 100°C (static)
Properties	Halogen-free, silicone-free
Plate depth	5 mm

Accessories

ST-B Plugs 93

KEL-DP round

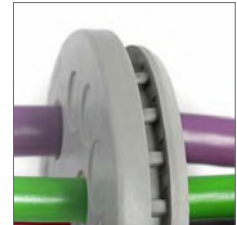
Cable entry plates



Also available in black.



Membrane on front



Special fixing ribs ensure a centred fit.

Product description

2.1

KEL-DP entry plates are designed for routing cables without connectors.

The KEL-DP products are a cost saving alternative to traditional cable glands.

Simply make a small hole in the thin membrane and push the cables through. The KEL-DP round provides protection IP65 / UL Type 12.

ST-B Plugs can be used for sealing pierced membranes if cables have been removed.

A special rib ensures a centred fit in the cut-outs.

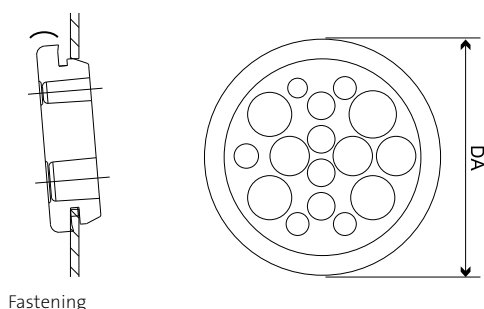
Advantages & benefits

- Fast and easy assembly, no tools required
- High cable density
- Very good strain relief on the cable bundle
- Cost-effective
- For wall thickness 1.5 - 4 mm
- Hygienic design - free of dirt-collecting recesses

Type	Order No. Type A	Order No. Type B	Number of cables	Cut-out	External diameter DA	PU
NEW KEL-DP 20 4	43572	—	4× max. 5.2 mm	∅ 20 mm	27 mm	10
NEW KEL-DP 20 5	43573	—	1× max. 10.6 mm 2× max. 4.6 mm 2× max. 3.6 mm	∅ 20 mm	27 mm	10
NEW KEL-DP 20 9	43574	—	5× max. 4.6 mm 4× max. 3.6 mm	∅ 20 mm	27 mm	10
KEL-DP 25 4	43533 50533	—	4× max. 8 mm	∅ 25 mm	32 mm	10
KEL-DP 25 6	43531 50531	—	4× max. 5.2 mm 2× max. 9.4 mm	∅ 25 mm	32 mm	10
KEL-DP 32 10	43532 50532	43560 50560	6× max. 5.2 mm 2× max. 6.4 mm 2× max. 9.4 mm	∅ 32 mm	38 mm	10
KEL-DP 40 9	43536	43561	8× max. 9.5 mm 1× max. 11.3 mm	∅ 40 mm	50 mm	10
KEL-DP 40 16	43537	43563	2× max. 5.3 mm 10× max. 6.3 mm 2× max. 9.5 mm 2× max. 11.3 mm	∅ 40 mm	50 mm	10
KEL-DP 40 17	43538	43565	1× max. 4 mm 16× max. 7.2 mm	∅ 40 mm	50 mm	10

* Only valid for grey product types

KEL-DP round Cable entry plates



Fastening



Type	Order No. Type A	Order No. Type B	Number of cables	Cut-out	External diameter DA	PU
KEL-DP 50 9	43554	43568	5× max. 7 mm 4× max. 18 mm	ø 50 mm	60 mm	10
	50554	50568				
KEL-DP 50 11	43555	43569	7× max. 7.2 mm 3× max. 11.2 mm 1× max. 22.5 mm	ø 50 mm	60 mm	10
	50555	50569				
KEL-DP 50 12	43551	43562	10× max. 9.2 mm 2× max. 11.2 mm	ø 50 mm	60 mm	10
	50551	50562				
KEL-DP 50 16	43550	43564	4× max. 5.3 mm 5× max. 6.3 mm 3× max. 9.5 mm 4× max. 11.3 mm	ø 50 mm	60 mm	10
	50550	50564				
KEL-DP 50 18	43553	43567	2× max. 4 mm 2× max. 6 mm 4× max. 7.2 mm 5× max. 9.4 mm 5× max. 12 mm	ø 50 mm	60 mm	10
	50553	50567				
KEL-DP 50 20	43552	43566	16× max. 6.3 mm 4× max. 9.3 mm	ø 50 mm	60 mm	10
	50552	50566				
KEL-DP 50 35	43556	43570	35× max. 5.2 mm	ø 50 mm	60 mm	10
	50556	50570				

* Only valid for grey product types

Specifications

Material	Elastomer
Colour	<input type="checkbox"/> grey (similar RAL 7035) <input checked="" type="checkbox"/> black
Flame class	UL94-Vo, self-extinguishing
IP rating	IP65 (certified acc. to EN 60529)
UL type rating	UL type 12 (acc. to UL 50E)
Temperature	- 40°C to + 100°C (static)
Properties	Halogen-free, silicone-free
Cut-out dimensions	Metric sizes
Plate depth	5 mm

Type A:	For wall thickness 1.5 - 2.5 mm
Type B:	For wall thickness 2.8 - 4 mm

Accessories

ST-B Plugs	93
FP Flange plates	194 - 203

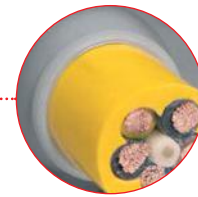
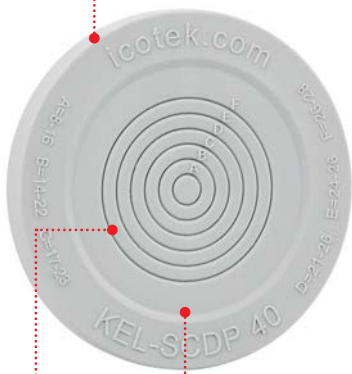
2.2 Flexible cable entry grommets for cables without connectors



Fast and easy, partially tool-free assembly



High flexibility when routing rigid cables



Up to IP66/IP68 rated protection

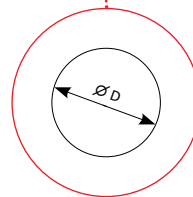


Easy peeling of the membrane rings. The peeled-off area is always round and thus seals the cable very well.



Due to high elasticity also suitable for routing preassembled cable lugs/terminals.

Compact, space-saving design



For metric cut-outs M25 - M85 (KEL-DPF)

Product range



KEL-SCDP

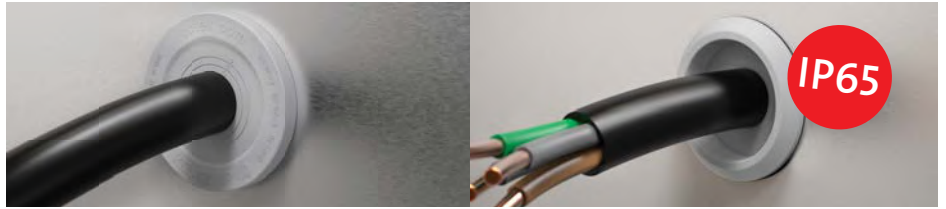
KEL-DPF

KEL-ULTRA flex

KEL-JUMBO flex

Chapter content 2.2

NEW ▶



Cable entry plates
pluggable, for cable diameters up to 36 mm

KEL-SCDP / KEL-SCDP-RW

102 – 103



Cable entry grommets
M25 – M85, for cable diameters
up to 70 mm

KEL-DPF

104 – 105



Cable entry grommets
screw mounting, for cable diameters
up to 115 mm

KEL-ULTRA flex

106



Cable entry grommets
screw mounting, for cable diameters
up to 68 mm

KEL-JUMBO flex

107

KEL-SCDP

Cable entry plate



Product description

With the KEL-SCDP cable entry grommet, single cables, hoses, and conduit can be routed and sealed at a rating of IP65. Its unique advantage is the large sealing range. The single circular membrane can be peeled away to accommodate the specific diameter of the cable or hose. No tooling is required to peel off the membrane. The peeled-off area is always round, ensuring a secure seal around cable/hose.

Another advantage is the high mounting flexibility. The KEL-SCDP can simply be plugged into cut-outs with wall thicknesses from 1.5 to 4.0 mm.

Advantages & benefits

- Perfect edge protection and sealing
- Circular membranes can be peeled off easily
- Easy, tool-free assembly
- Protection class up to IP65

Specifications

Material	Elastomer
IP rating	IP65
Temperature	- 40°C to + 80°C (static)
Properties	Halogen-free, silicone-free

Type	Order No.	Number of cables	Clamping range mm	PU
KEL-SCDP 25	43480	1 max.	5 – 16	10
KEL-SCDP 32	43481	1 max.	5 – 22	10
KEL-SCDP 40	43482	1 max.	8 – 28	10
KEL-SCDP 50	43483	1 max.	8 – 36	10



The single membrane rings are peeled off according to the diameter of the routed cable/hose. For this purpose, only a small hole between the rings needs to be pierced. Then the corresponding ring can be removed.

KEL-SCDP-RW

Cable entry plate

for the use in the railway technology



Due to high elasticity also suitable for routing preassembled cable lugs/terminals.



Type	Order No.	Number of cables	Clamping range mm	PU
KEL-SCDP-RW 25	43490	1 max.	5 – 16	10
KEL-SCDP-RW 32	43491	1 max.	5 – 22	10
KEL-SCDP-RW 40	43492	1 max.	8 – 28	10
KEL-SCDP-RW 50	43493	1 max.	8 – 36	10

Product description

With the KEL-SCDP cable entry grommet, single cables, hoses, and conduit can be routed and sealed at a rating of IP65. Its unique advantage is the large sealing range. The single circular membrane can be peeled away to accommodate the specific diameter of the cable or hose. No tooling is required to peel off the membrane. The peeled-off area is always round, ensuring a secure seal around cable/hose.

Another advantage is the high mounting flexibility. The KEL-SCDP can simply be plugged into cut-outs with wall thicknesses from 1.5 to 4.0 mm.

KEL-SCDP-RW is approved for the use in the railway technology in accordance with EN45545-2 HL3.

Advantages & benefits

- Approved for the use in the railway technology (EN 45545-2, EN 45545-3 and EN 1363-1)
- Perfect edge protection and sealing
- Circular membranes can be peeled off easily
- Easy, tool-free assembly
- Protection class up to IP65

Specifications

Material	Elastomer
IP rating	IP65
Temperature	- 40°C to + 80°C (static)
Properties	Halogen-free, silicone-free

KEL-DPF

Cable entry grommets



Product description

The KEL-DPF was developed particularly for routing large or unknown sizes of cables into a switch cabinet or machine (max. cable diameter 70 mm). Due to the flexibility and unique pyramid shape, cable entry and flexible positioning is much easier compared to using conventional cable glands. Also perfect for bundling or restraining large cables.

Cutting of DPF grommets:
Cable diameter less 25%. The corresponding diameters are marked on the grommet.

It is recommended that additional strain relief be provided for cables as part of the installation.

Advantages & benefits

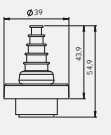
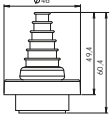

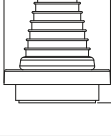
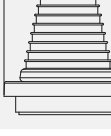

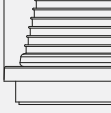
- Quick and tool-free assembly
- It is possible to install rigid cables at angles
- Suitable for metric cut-outs
- Polyamide locknuts are included in the shipment

Specifications

Material	Thread frame: Polyamide (PA) Pyramid: Elastomer
Colour	<input type="checkbox"/> grey (similar RAL 7035) <input checked="" type="checkbox"/> black
Flame class	UL94-V0, self-extinguishing
IP rating	IP66/ IP68 (certified acc. to EN 60529)
UL type rating	UL type 12 (acc. to UL 50E) UL type 4X (acc. to UL 50E)
Temperature Properties	- 40°C to + 100°C (static)
Thread length	11 mm; KEL-DPF 85 48-70: 14 mm
Cut-out dimensions	Metric sizes

Accessories

FP Flanged plates	194 - 203
MP Module plates	188 - 189

Type	Order No.
	<input type="checkbox"/> 42652 <input checked="" type="checkbox"/> 50652
	<input type="checkbox"/> 42653 <input checked="" type="checkbox"/> 50653
	<input type="checkbox"/> 42654 <input checked="" type="checkbox"/> 50654
	<input type="checkbox"/> 42655 <input checked="" type="checkbox"/> 50655
	<input type="checkbox"/> 42656 <input checked="" type="checkbox"/> 50656
	<input type="checkbox"/> 42657 <input checked="" type="checkbox"/> 50657
	<input type="checkbox"/> 42658 <input checked="" type="checkbox"/> 50658

* Only valid for grey product types

KEL-DPF

Cable entry grommets



Due to high elasticity also suitable for routing preassembled cable lugs/terminals.



Additional strain relief

Thread metric	External diameter	Clamping range	PU
M25 × 1.5	39 mm	3 - 12 mm	5
M32 × 1.5	46 mm	6 - 18 mm	5
M40 × 1.5	54 mm	12 - 27 mm	5
M50 × 1.5	64 mm	22 - 36 mm	5
M63 × 1.5	77 mm	27 - 50 mm	5
M75 × 1.5	89 mm	39 - 60 mm	1
M85 × 2	99 mm	48 - 70 mm	1



2.2



Wrenches

for M75/M85 plastic locknuts

For mounting the new KEL-DPF sizes we offer suitable wrenches with widths for M75 and M85 plastic locknuts. Material: aluminium

M75: Order No.61436 | M85: Order No. 61437 | PU: 1

* Only valid for grey product types

KEL-ULTRA flex

Cable entry grommets



IP66



Product description

The KEL-ULTRA flex is designed as a cable entry grommet for any large cable or conduit that is difficult to manage. The KEL-ULTRA flex comes in two sizes and is ideal for routing and sealing cables and conduits with a diameter from 25 to 115 mm. Due to the high flexibility of the elastomer pyramid, inserting large, thick cables with KEL-ULTRA flex is easier than using standard cable glands.

After inserting the cable or conduit, the KEL-ULTRA flex is quickly and easily mounted with the metal ring and screws. This ring enables a circular fixing and sealing of the grommet at the enclosure wall. The ring is supplied with each KEL-ULTRA flex. Cutting of grommets: Cable diameter less 25%. It is recommended that additional strain relief be provided for cables as part of the installation.

Advantages & benefits

- Quick assembly
- Grommets allow easy orientation and seal of rigid cables
- IP66 / up to UL type 12 rating

Specifications

Material	Pyramid: Elastomer Fixing metal ring: Steel, zinc-plated Blind plate: Steel, zinc-plated
Flame class	UL94-Vo, self-extinguishing
IP rating	IP66, when fastened with 8 screws (certified acc. to EN 60529)
UL type rating	UL type 12 (acc. to UL 50E)
Temperature	- 40°C to + 100°C (static)
Properties	Halogen-free, silicone-free
Cut-out dimension	Round, Ø-cable +30%, max. Ø 140 mm

Accessories

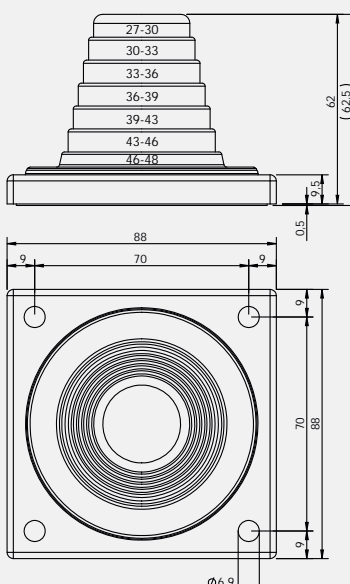
MP Module plates	188 - 189
BPM Blank plates	205

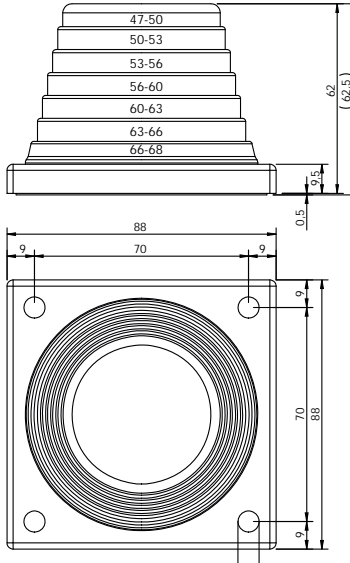
Type	Order No.	Sealing range	PU
KEL-ULTRA flex 1 incl. fixing screws	42630	25 - max. 90 mm cable diameter	1
KEL-ULTRA flex 2 incl. fixing screws	42631	75 - max. 115 mm cable diameter	1

KEL-JUMBO flex

Cable entry grommets



Description	Type	Order No.	Clamping range	PU
	KEL-JUMBO flex 27-48	42614	27 - 48 mm	1

	KEL-JUMBO flex 47-68	42616	47 - 68 mm	1
--	----------------------	-------	------------	---

Product description

The KEL-JUMBO flex is a flexible cable entry grommet for cables without connectors with a diameter range from 27 - 68 mm.

They are ideal for the routing supply cables into the switch cabinets.

Cutting of KEL-JUMBO flex grommets:
Cable diameter less 25%. The corresponding diameters are marked on the grommet.

It is recommended that additional strain relief be provided for cables as part of the installation.

Advantages & benefits

- Quick assembly
- Grommets allow dynamic and flexible movement of rigid cables
- Compact installation area (88 × 88 mm)

Specifications

Material	Frame: Polyamide (PA) Pyramid: Elastomer
Flame class	UL94-V0, self-extinguishing
IP rating	IP54
UL type rating	UL type 12 (acc. to UL 50E)
Temperature	- 40°C to + 100°C (static)
Properties	Halogen-free, silicone-free
Cut-out dimensions	Round, \varnothing -cable +20%

Accessories

MP Module plates	188 - 189
BP Blank plates	204 - 206

3 Strain relief & cable management



By using icotek strain relief systems the user can quickly assemble, organise and provide strain relief for cables according to EN 62444.

The systems can be used for organising and securing cables in machines, switch cabinets, enclosures and dynamic drag chains. Due to the wide variety of mounting requirements, options range from DIN rail snap-mount, C-rail to screw mount.

The strain relief plates are available in several sizes. The cable density can be greatly increased by using spacers for multilayer mounting.

Securing the cables is done quickly and inexpensively with standard cable ties. The shape of the strain relief securely holds cable tie and cable.

3

High cable density, multilayer mounting possible

Fast and easy, partially tool-free mounting

Wide mounting type variety: DIN rail / C-rail snap mount, screw mount

Available in various sizes

Secure hold of the cable ties and cables, strain relief acc. to EN 62444

Product range



KZL SF|ZL ZL ZL-AB ZL o3 o4 o5 DH KLB / KBH

Chapter content 3



Strain relief plates
for screw mount

ZL

110



Strain relief plates
for screw mount, with bushings

ZL-AB / ZL-MS

111



Strain relief plates
for screw mount, for various cable diameters

ZL-03 | 04 | 05

112



Strain relief plates
for 35 mm DIN rail / C-rail snap mount

KZL

113



Strain relief plates
for 35 mm DIN rail snap mount

SF|ZL

114



Spacers
for multilayer mounting of strain relief
plates

DH

115



EMC Strain relief plates

KAFM-EMC

152



Shield plate for ZL strain relief plates

ZL|SB-EMC

153



Hook-and-loop cable ties
re-usable

KLKB / KLB

116



Holder for hook-and-loop cable ties
various mounting types

KBH

117