

上海卡固電氣設備有限公司

Shanghai KAKU Electric Equipment Co., Ltd.

地址: 上海徐匯區斜土路2601號T1座26樓G/H 200030

電話: 86-021-6426-0132 6426-0133 6426-0134

傳真: 86-021-6426-2244

Add: 26F, G&H, T1, 2601 Xietu Rd. Shanghai 200030

Te l: 86-021-6426-0132 6426-0133 6426-0134

Fax: 86-021-6426-2244

Email: kakush@online.sh.cn

臺灣卡固科技有限公司

Taiwan KAKU Technology Co., Ltd.

地址: 板橋市信義路163巷15號3F (板橋世貿工業園區)

電話: 886-2-8951-4778

傳真: 886-2-8951-4772

統一編號: 12624276

Add: 3F, No. 15, 163 Xinyi Rd. Banqiao, Taiwan

Te l: 886-2-8951-4778

Fax: 886-2-8951-4772

Email: kaku89@ms63.hinet.net

韓國卡固貿易株式會社 (주)한국카쿠무역

Korea KAKU Trading Co., Ltd.

서울시 금천구 가산동 345-90 한라시그마밸리 1608호 (153-706)

Te l: 02-861-0632/31/30

Fax: 02-861-0131

Email: koreakaku@naver.com

www.shKAKU.com

NEWREACH, Ferrite D, 2015.06, for KAKU
NewREACH@163.com

KAKU

KAKU

2015

卡
固
電
設
輔
件
世
家

卡固電設

KAKU Electric Equipment

改造自動控制系統的世紀先驅

KAKU KAKU®

OUR COMPANY

我們的公司

引進國外先進的生產設備及管理經驗，專業製造、經銷系列電氣輔件，廣泛適用於工業自動化等領域。本公司的經營服務宗旨為：以高品質、全方位自動控制產品系統及宏觀的市場通路，創意的國際化經營理念，真誠地為廣大客戶提供優質產品，以提升全體產業變革的競爭力。公司已通過ISO9001認證，KAKU系列產品已在國內獲得多項專利證書、並獲得TUV、UL、CE、ROHS、EMC等國際認證。KAKU品牌現已得到相關行業的認同與選用，並遠銷全球。卡固公司將一如既往的秉承至高的產品品質、至誠的服務之宗旨，讓小附件產品產生最優質的效益，一定是您最可值得信賴與選用的附件系列產品。

Imports the most advanced quality control, and management systems for large scale, integrated electronic components manufacturing. The company's service range includes all aspects of large scale quality control, and integrated production management. It is our goal to provide manufacturers with systems based on the most advanced and revolutionary techniques enabling them to compete in the global market. As a company has been granted ISO9001 Quality Management System certification, we have built our own brand KAKU successfully. We have got several Patents authority in domestic, and also approved by the TUV, UL, CE, ROHS and EMC. KAKU brand products have been chosen and recognized by related field and selling to the whole world.

We will continue to build on the current success of the KAKU brand with superior quality and satisfactory service to maximize the benefit of your business! KAKU's products are most reliable accessories for automation control.

KAKU

KAKU[®]



KAKU **KAKU**[®]

KAKU Electric Equipment

“卡固電設”中文、“KAKU”英文文字及徽標為上海卡固電氣設備有限公司註冊商標，受法律保護，我公司擁有以上內容（包含但不限于）的專利、專利申請、商標、版權或其它知識產權。未經上海卡固電氣設備公司或商標權人書面許可，任何單位及個人不得以任何方式或理由對該商標的任何部分進行使用、複製、修改、傳播、抄錄或與其它產品捆綁使用銷售。凡侵犯本公司商標權的，我公司必依法追究其法律責任。

CATALOGUE

目錄

PART-1

FANS 風機系列

KAKU®

PART-1

FANS

軸流風機系列

KAKU

PART-1.1 AC FANS

1 Impedance protected 阻抗保護風機系列

01	KA8025	80X80X25mm
02	KA8038	80X80X38mm
03	KA9225	92X92X25mm
04	KA9238	92X92X38mm
05	KA1225	120X120X25mm
07-10	KA1238	120X120X38mm
11	KA12738	127X127X38mm
12	KA1525	150X150X51mm
13-17	KA1725	172X150X51mm

2 Thermally protected 溫控保護風機系列

18	KA15023	150X150X38mm
19-20	KA15025	150X150X51mm
21	KA17023	172X150X38mm
22-23	KA17025	172X150X51mm
24-26	KA1725/5	∅ 172X55mm
27	KA1606	160X160X65mm
28-29	KA1806	180X180X65mm
30-31	KA2206	∅ 222X60mm
32-33	KA2208	∅ 222X80mm
34-35	KA2509	∅ 254X89mm
36-37	KA2072	206X206X72mm

3 H.T.R fan 耐高溫風機系列

38	KA1238H.T.R100&130	120X120X38mm
39	KA1523H.T.R100	150X150X38mm
40	KA1525H.T.R100	150X150X51mm
41	KA1723H.T.R100	172X150X38mm
42	KA1725H.T.R100	172X150X51mm
43-44	KA1725/5H.T.R100	172X150X55mm
45	KA2206H.T.R100	∅ 222X60mm
46	KA2509H.T.R100	∅ 254X89mm

4 ADC fan 天井式風機系列

47	KA1238/ADC A	120X120X38mm
48	KA1238/ADC B	120X120X38mm

5 ADC fan 溫控器&解碼器

49	TC-001	120X120X38mm
50	TC-002	120X120X38mm

PART-1.2 DC FANS

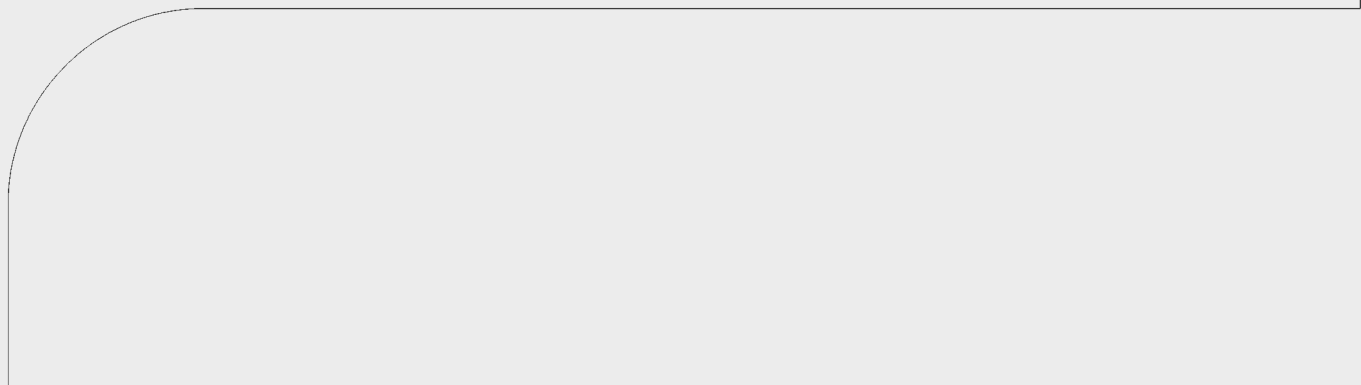
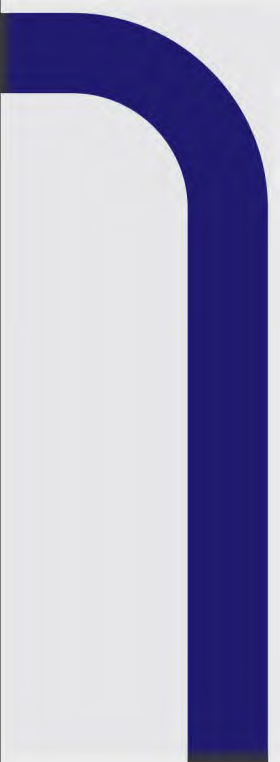
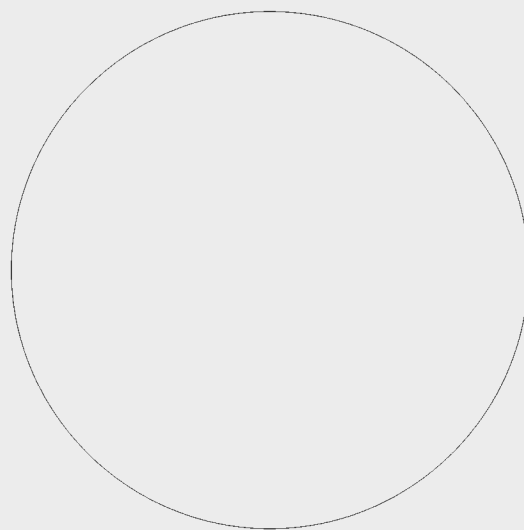
1 DC fan 直流風機系列

53	AD8025 Series	80X80X25mm
54	AD9225 Series	92X92X25mm
55	AD12025 Series	120X120X25mm
56	AD12038 Series	120X120X38mm

目錄

PART-2
Filter 濾網系列

Filter 濾網系列

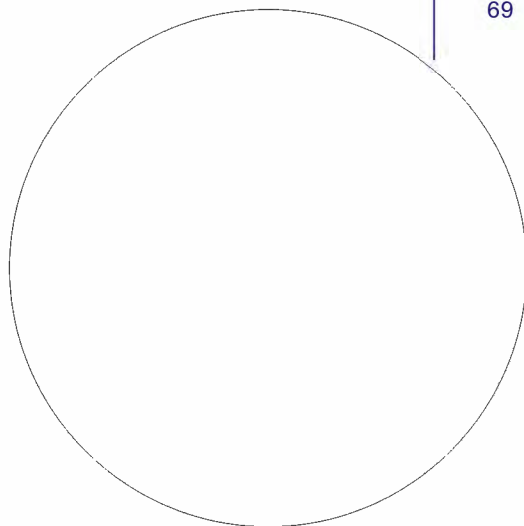


PART-2

VENTILATOR FILTER UNIT SERIES

通風過濾網系列

60	FU9801/02A&C
61	FU9801/02B
62	FU9803A&C
63	FU9804A&C
64	FU9805A&C
65	FU9806A&C
66	FU9807A&C-A(B)
67	FU9804H(C)-A(B)
68	通風過濾網組與風機規格一覽表
69	3 in1 & Finger Guard



CATALOGUE

目錄



PART-3
Rail 導軌系列

PART-4
Wiring Duct
線槽系列

PART-3
Rail 導軌系列 & PART-4
Wiring Duct 線槽系列

PART-3

Rail SERIES

導軌系列



1 Steel Rail Series 鋼製導軌系列

- 72 SDR1100AA & SDR1200AA
- 73 SDR1100 & SDR1200
SDR5100 & SDR5200
SNS3215-1 & SNS3215-2
SNS1500
SNS7525
- 74 Mensurable DIN Rail series 定長系列

2 Aluminium Rail Series 鋁製導軌系列

- 75 DR1100 & DR1200
DR5100
DR8100
DR-3215
DR-3218
KSG-2510

3 Rail Cutter Series 導軌切斷器系列

- 76 QDA-1 & QDA-3
QDG-2 & QDG-4

PART-4

WIRING DUCT SERIES

線槽系列

1 Wiring Duct Series 線槽系列

- 79 KD & AD series
- 80 UD & OD series
- 81 Unique Design & Fill Capacity Formula
- 82 Flexible Duct series

2 Wiring Cutter Series 線槽切斷器系列

- 83 WDCS-A/B & WBC-10
WBC-100 & WBC-100AA



劃時代
的 **革新**
AC Fans
軸流交流風機



Specialists
in fan design &
Production

獨特的風機設計
與生產工藝

PART-1.1

KAKU®



PART-1.1

AXIAL AC FAN

GENERAL DATA (軸流AC風機參數)

Frame type: Magnesium alloy, ED coating + Power coating & Black plastic UL94V-0

Impeller: PC, Magnesium alloy

Bearing: Ball Bearing & Sleeve (Best) Bearing

Method of protect: Impedance Protect / Thermal protect

Dielectric Withstand: 1800VAC for 2 seconds between terminal (wire) (+) and frame

Life Expectancy: 60,000hours at 20°C (Ball bearing)

50,000hours at 20°C (Sleeve Bearing)

Operation temperature: -20°C~85°C (ordinary humidity)

Storage temperature: -30°C~140°C (ordinary humidity)

Certificates: 3C, CUL, TUV, CE, ROHS, EMC, -40°C, -50°C, IP55

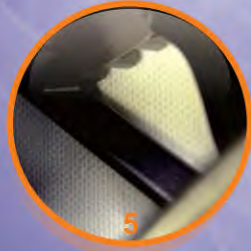


DESCRIPTION OF AXIAL AC FAN CODE

(軸流AC風機型號說明)

For example: KA1238HA2BMT





KAKU®

新設計令IP等級大幅提升

- 1 外框底部側面散熱片設計，增加散熱面積，提升散熱效率。
Bottom of frame designed in radiating fin, which can enlarge the heating surface, the efficiency of heating was increased.
- 2 端子蓋感電區有防護設計，IP等級更高。
Special design of terminal cover, IP upgraded
- 3 引線完全封閉，IP等級更好。
Lead wire totally shielded, IP upgraded
- 4 扇葉將整個繞組完全包覆，IP等級更高。
Winding was totally shielded, IP upgraded
- 5 外框支架三角斜面設計，利用空氣流動及散熱，IP等級更好。
Bracket of frame was designed in triangular prism, which would better for heat output, surly IP upgraded.



IP55鎂合金系列風機是專為潮濕和多塵環境設計研發的，其防水、防塵之參數均滿足IP55防護等級標準：全系列有AC24V、110V、220V、380V、變壓110/220V、耐高溫及抗電子屏蔽等多種功能供客戶選擇；鎂合金扇葉良好的散熱性可有效降低軸承溫度，延長風機使用壽命。

IP55 magnesium die casting impeller is designed to compensate for moist and dusty environments and meets the waterproof and dustproof parameters of the IP55 water protection standard. This series can be ordered in AC24V, 110V, 220V, 380V, dual-voltage AC110/220V which has different speed (H, M, L, LL), X-Flow, high temperature resistant (H.T.R.) and electro magnetic shield (E.M.C.) function. Good heat elimination feature of magnesium die casting impeller can reduce the bearing temperature and prolong the life-span of the fan.

電磁屏蔽效能之體現

現有風機扇葉皆為P.B.T或PC之塑膠材質，扇葉部位無屏蔽功能（圖A）
新款鎂合金扇葉則最大限度保證了電磁波屏蔽之特性（圖B）
Tradition fans are with P.B.T or PC impeller, which has no function of electro magnetic shield (picture A).
Magnesium alloy has the better shielding properties (picture B).
* 圖中僅供參考，詳情請洽：Color in blue: www.kaku.com



圖A
picture A



圖B
picture B

圖 (A) 20KW控制柜內部一年中溫度變化推演圖

Picture (A) Temperature variation curve a year inside of a 20KW control panel

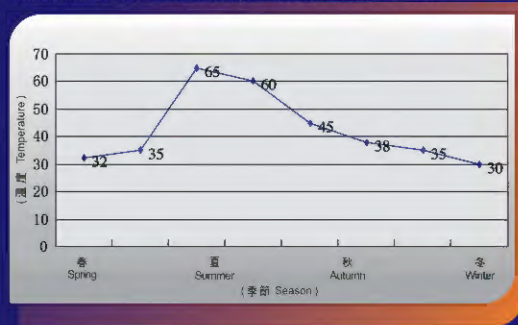
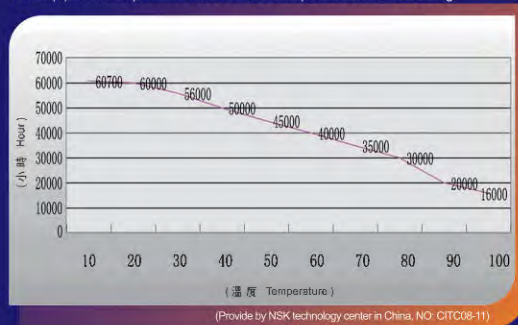


圖 (B) 軸承壽命與溫度變化比例圖

Picture (B) Relationship between service life and temperature variable of bearing

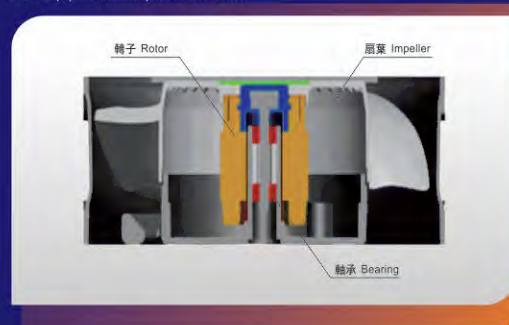


眾所周知，風機使用環境越苛刻，即溫度越高，濕度越大，風機的壽命就相對越短。這是指風機使用的外界環境條件。但是，風機運轉過程中，風機內部也會產生相當的溫升，若軸承一直處於這種內部高溫狀態，這部分自身溫升產生的熱量如果不及時輸送出去的話，會嚴重影響軸承的壽命。如此一來，包圍繞組的扇葉的散熱性能就非常重要，鎂合金較之塑膠件，散熱性能要高出很多，從而可延長軸承壽命。

As we all know, the harder the operating environment is, the shorter the life of fan is. The principle factors of this environment are the outside temperature and humidity. Equally, the environment of the bearing is also very important, during fan's operating, there has temperature rise inside of the fan, that is the temperature rise of rotor, also the environment temperature of the bearing. If this kind of heat can not be transferred timely, it will bad for the performance of the bearing. The impeller is the main media to transfer this kind of heat, so, the heat dispersion degree of the impeller is very important.

圖 (C) 風機轉子剖面圖

Picture (C) The section plan of fans rotor



圖A所示一年中風機置于控制柜中溫度超過40°C（環境溫度）約達50% - 60%，風機內部之轉子溫度隨著環境溫度變化而變化。依實驗所示運轉中轉子溫度比環境溫度高約60°C，也就是說風機轉子長時間於高溫下工作。

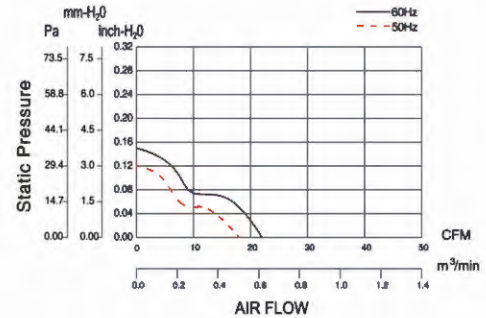
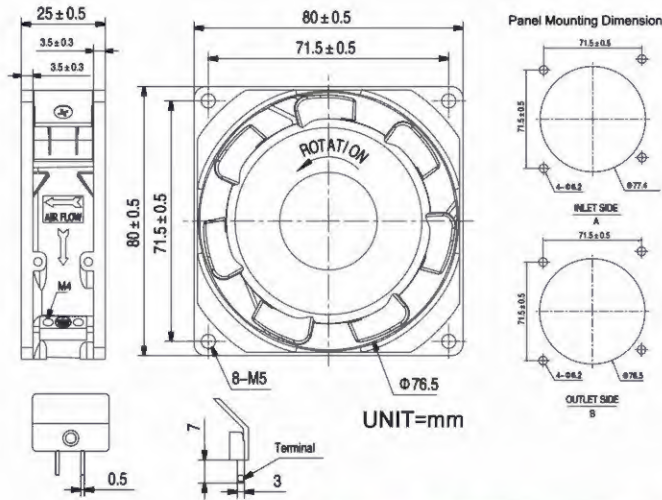
Picture (A), information from the diagram showed that environment temperature above 40°C should take of about 50%~60% of one year, it's certain the temperature of rotor in the motor will also change as the different environment temperature. As we know from the test, the temperature of the rotor should be higher than environment, about 60°C, i.e. rotor keeps working under very high temperature.

由圖C所示扇葉系與轉子結成一體，現有P.B.T或PC等材質並非導熱性材料，如改為鎂合金扇葉與轉子結成一體，轉子之熱量將借鎂合金材質之熱傳導而導出，且扇葉運行中外部氣流將更有效的將轉子之熱量帶走，既而降低轉子溫度及軸承環境溫度並提高了軸承使用壽命。

Impeller is integrated with rotor (C), magnesium alloy will dissipate heat produced by rotor if we take magnesium impeller. Meanwhile, heat will be output effectively as for the running motor, therefore, service life of the bearing can be improved greatly because of the decreased rotor temperature and also environment temperature (B).

圖B可清除得知軸承安裝於轉子內部長時間工作。電機轉子于運行中，溫度可達80 - 90°C，在夏季甚至可以達到120°C！換言之，軸承亦長期工作于此高溫下，對軸承壽命之影響是直接的。

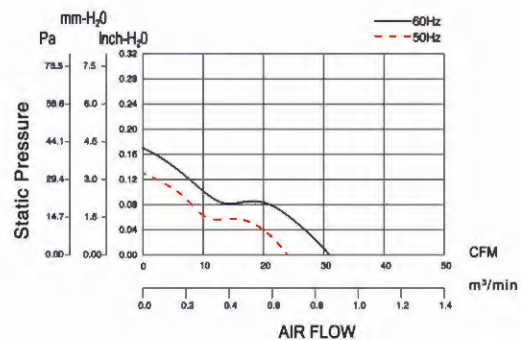
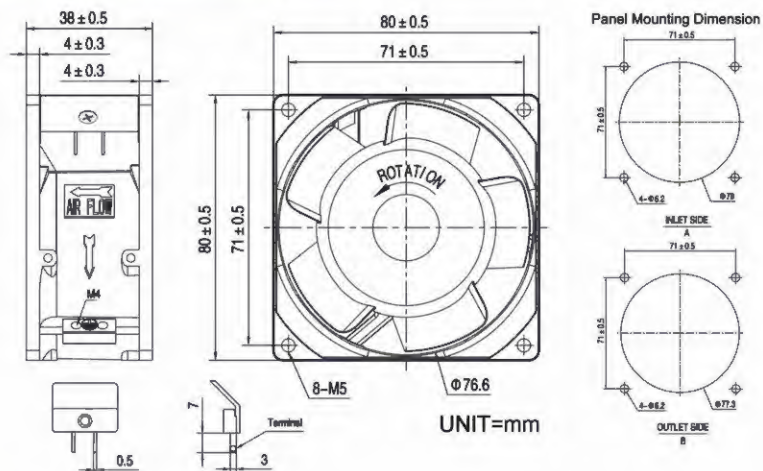
See the picture B, From the drawing above, bearing can be seen working inside of the rotor. Generally speaking, temperature of the rotor can reach 80~90°C when powered, in other words, high working temperature will surely affect bearing's life directly.



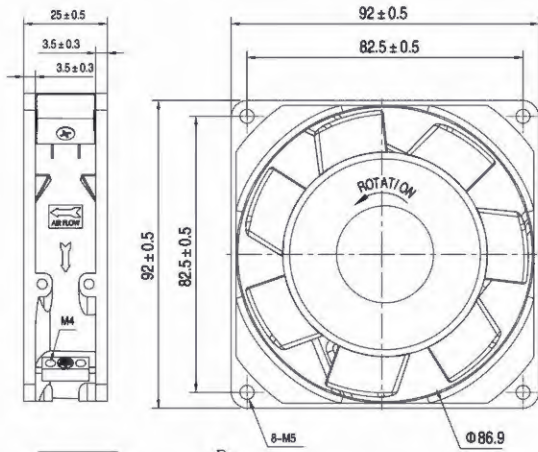
型號 Model	Part No. Terminal Leadwire	軸承類別 Bearing System	電壓 Rated Voltage(V)	頻率 Freq (Hz)	電流 Current (A)	功率 Input Power(W)	轉速 Speed (rpm)	風量 Air Flow (CFM)	靜壓 Static Pressure (inch-H ₂ O)	噪音值 Noise Level(dB-A)	重量 Weight (g)
KA8025HA1-2/PC	8025HA1BMT(L)	Ball	110/120	50/60	0.14/0.13	20/18	2700/3200	18/22	0.12/0.15	30/32	210
KA8025HA2-2/PC	8025HA2BMT(L)	Ball	220/240	50/60	0.10/0.08	20/18	2700/3200	18/22	0.12/0.15	30/32	210
KA8025HA1-2/PC	8025HA1SMT(L)	Sleeve(Best)	110/120	50/60	0.14/0.13	20/18	2700/3200	18/22	0.12/0.15	30/32	210
KA8025HA2-2/PC	8025HA2SMT(L)	Sleeve(Best)	220/240	50/60	0.10/0.08	20/18	2700/3200	18/22	0.12/0.15	30/32	210

KA8038/PC SERIES

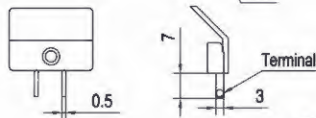
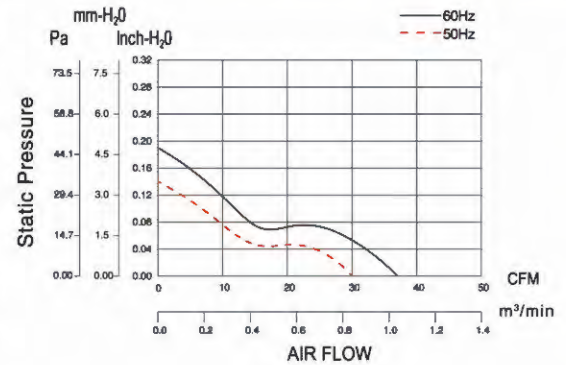
80 × 80 × 38mm



型號 Model	Part No. Terminal Leadwire	軸承類別 Bearing System	電壓 Rated Voltage(V)	頻率 Freq (Hz)	電流 Current (A)	功率 Input Power(W)	轉速 Speed (rpm)	風量 Air Flow (CFM)	靜壓 Static Pressure (Inch-H ₂ O)	噪音值 Noise Level(dB-A)	重量 Weight (g)
KA8038HA1-2/PC	8038HA1BMT(L)	Ball	110/120	50/60	0.14/0.13	15/13	2300/2800	24/31	0.13/0.17	30/32	260
KA8038HA2-2/PC	8038HA2BMT(L)	Ball	220/240	50/60	0.07/0.06	15/12	2300/2800	24/31	0.13/0.17	30/32	260
KA8038HA1-2/PC	8038HA1SMT(L)	Sleeve(Best)	110/120	50/60	0.14/0.13	15/13	2300/2800	24/31	0.13/0.17	30/32	260
KA8038HA2-2/PC	8038HA2SMT(L)	Sleeve(Best)	220/240	50/60	0.07/0.06	15/12	2300/2800	24/31	0.13/0.17	30/32	260



Panel Mounting Dimension



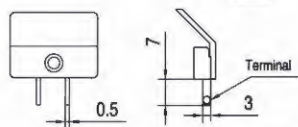
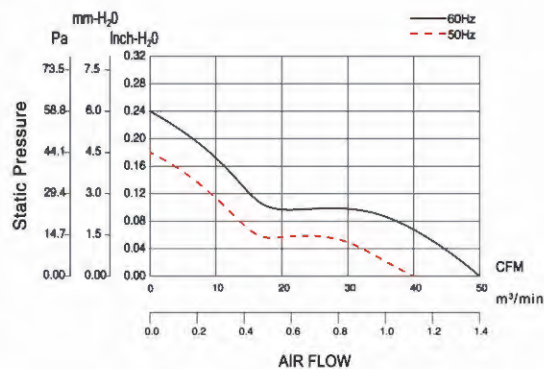
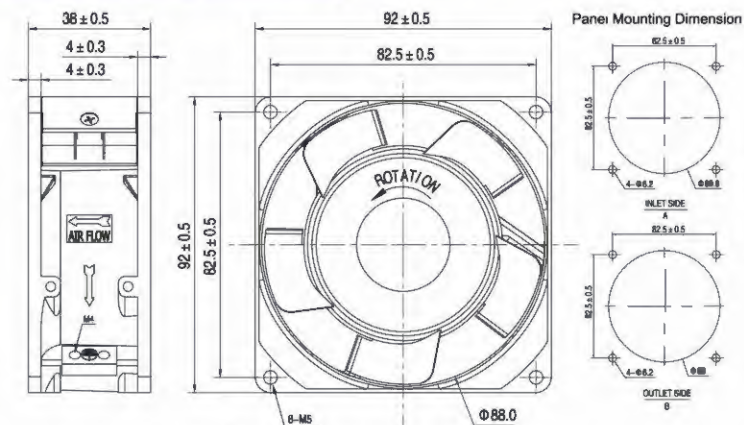
UNIT=mm



型號 Model	Part No. Terminal Leadwire	軸承類別 Bearing System	電壓 Rated Voltage(V)	頻率 Freq (Hz)	電流 Current (A)	功率 Input Power(W)	轉速 Speed (rpm)	風量 Air Flow (CFM)	靜壓 Static Pressure (inch-H ₂ O)	噪音值 Noise Level(dB-A)	重量 Weight (g)
KA9225HA1-2/PC	9225HA1BMT(L)	Ball	110/120	50/60	0.17/0.16	20/18	2650/3150	30/37	0.14/0.19	35/37	220
KA9225HA2-2/PC	9225HA2BMT(L)	Ball	220/240	50/60	0.10/0.09	20/18	2650/3150	30/37	0.14/0.19	35/37	220
KA9225HA1-2/PC	9225HA1SMT(L)	Sleeve(Best)	110/120	50/60	0.17/0.16	20/18	2650/3150	30/37	0.14/0.19	35/37	220
KA9225HA2-2/PC	9225HA2SMT(L)	Sleeve(Best)	220/240	50/60	0.10/0.09	20/18	2650/3150	30/37	0.14/0.19	35/37	220

KA9238/PC SERIES

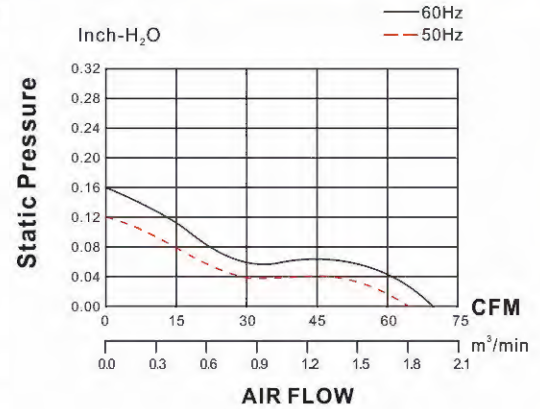
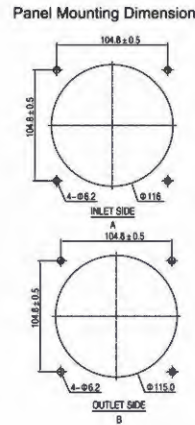
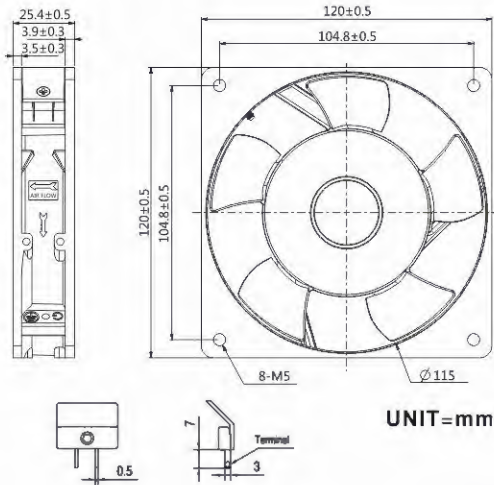
92 × 92 × 38mm



UNIT=mm



型號 Model	Part No. Terminal Leadwire	軸承類別 Bearing System	電壓 Rated Voltage(V)	頻率 Freq (Hz)	電流 Current (A)	功率 Input Power(W)	轉速 Speed (rpm)	風量 Air Flow (CFM)	靜壓 Static Pressure (inch-H ₂ O)	噪音值 Noise Level(dB-A)	重量 Weight (g)
KA9238HA1-2/PC	9238HA1BMT(L)	Ball	110/120	50/60	0.15/0.14	15/14	2500/3000	40/50	0.18/0.24	37/41	330
KA9238HA2-2/PC	9238HA2BMT(L)	Ball	220/240	50/60	0.08/0.07	14/13	2500/3000	40/50	0.18/0.24	37/41	330
KA9238HA1-2/PC	9238HA1SMT(L)	Sleeve(Best)	110/120	50/60	0.15/0.14	15/14	2500/3000	40/50	0.18/0.24	37/41	330
KA9238HA2-2/PC	9238HA2SMT(L)	Sleeve(Best)	220/240	50/60	0.08/0.07	14/13	2500/3000	40/50	0.18/0.24	37/41	330



型號 Model	Part No. Terminal Leadwire	軸承類別 Bearing System	電壓 Rated Voltage(V)	頻率 Freq (Hz)	電流 Current (A)	功率 Input Power(W)	轉速 Speed (rpm)	風量 Air Flow (CFM)	靜壓 Static Pressure (inch-H ₂ O)	噪音值 Noise Level(dB-A)	重量 Weight (g)
KA1225HA1-2/Mg	1225HA1BMT(L)	Ball	110/120	50/60	0.16/0.13	13/11	2100/2200	65/71	0.13/0.16	38	320
KA1225HA2-2/Mg	1225HA2BMT(L)	Ball	220/240	50/60	0.07/0.06	12/11	2100/2200	65/71	0.13/0.16	44	320
KA1225HA1-2/Mg	1225HA1SMT(L)	Sleeve(Best)	110/120	50/60	0.16/0.13	13/11	2100/2200	65/71	0.13/0.16	38	320
KA1225HA2-2/Mg	1225HA2SMT(L)	Sleeve(Best)	220/240	50/60	0.07/0.06	12/11	2100/2200	65/71	0.13/0.16	44	320

KAKU®

Globally Exclusive
Magnesium Alloy
Impeller

全球唯一 鎂合金扇葉

優勢特性 Advantages

此款風機是特別為適合潮濕和多塵環境所設計研發的，其防水、防塵之參數均滿足IP55防護等級標準；此外，也可滿足客戶不同場合下的防水要求，可在多塵環境下使用。

This fan is specifically designed for moist and dusty environment and meets the dust-proof and water-proof parameters of IP55 protection standard; In addition, it can also meet a variety of specific water-protection requirement from customers.

鎂合金扇葉有良好的散熱性能，可有效降低風機軸承環境溫度，延長風機使用壽命。

Easier heat-transfer function of Magnesium alloy impeller can decrease the environmental temperature of the fan bearing effectively and prolong the life-span of fan.

全系列風機採用無鉛材料製作，符合環保要求並通過ROHS認證。

All fans of this series are manufactured with Pb-free materials, environmental oriented, ROHS approved.

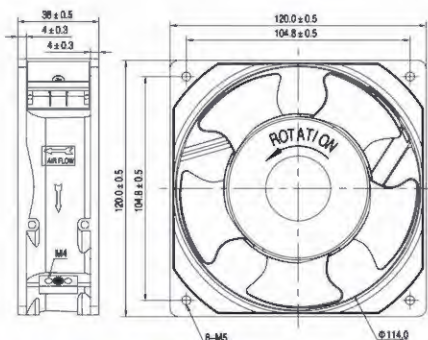


IP55
Weather Resistant

RoHS US RoHS CE IP55 -50°C
SGS, SHRL80027-1/2008

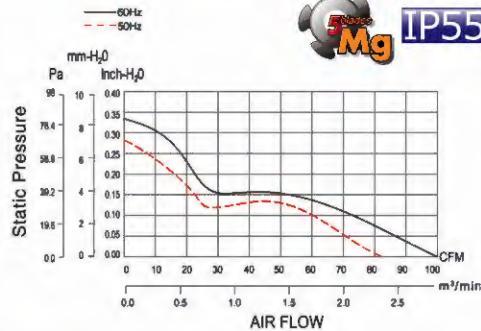
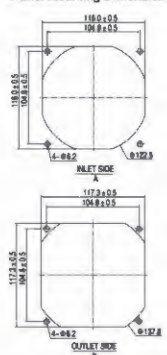
IP55 KAI 238 SERIES

H(高轉) & M(中轉) 120 × 120 × 38mm



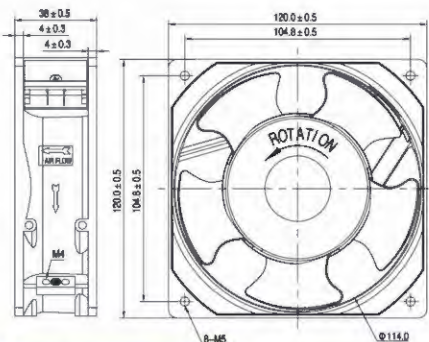
UNIT=mm

Panel Mounting Dimension



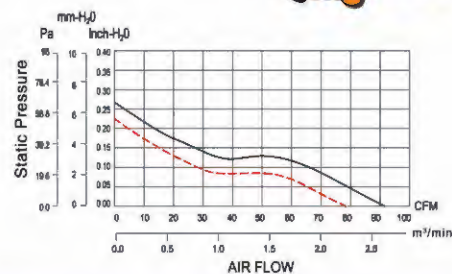
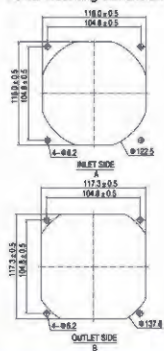
KA1238 H 高轉

型號 Model	Part No. Terminal Leadwire	軸承類別 Bearing System	電壓 Rated Voltage(V)	頻率 Freq (Hz)	電流 Current (A)	功率 Input Power(W)	轉速 Speed (rpm)	風量 Air Flow (CFM)	靜壓 Static Pressure (inch-H ₂ O)	噪音值 Noise Level(dB-A)	重量 Weight (g)
KA1238HA1-2(IP55)/Mg	1238HA1BMT(L)	Ball	110/120	50/60	0.28/0.22	21/18	2700/3100	84/100	0.28/0.34	49/51	460
KA1238HA2-2(IP55)/Mg	1238HA2BMT(L)	Ball	220/240	50/60	0.13/0.11	21/18	2700/3100	84/100	0.28/0.34	49/51	460
KA1238HA3-2(IP55)/Mg	1238HA3BMT(L)	Ball	380/400	50/60	0.07/0.06	21/18	2700/3100	84/100	0.28/0.34	49/51	460
KA1238HA1-2(IP55)/Mg	1238HA1SMT(L)	Sleeve(Best)	110/120	50/60	0.28/0.22	21/18	2700/3100	84/100	0.28/0.34	49/51	460
KA1238HA2-2(IP55)/Mg	1238HA2SMT(L)	Sleeve(Best)	220/240	50/60	0.13/0.11	21/18	2700/3100	84/100	0.28/0.34	49/51	460
KA1238HA3-2(IP55)/Mg	1238HA3SMT(L)	Sleeve(Best)	380/400	50/60	0.07/0.06	21/18	2700/3100	84/100	0.28/0.34	49/51	460



UNIT=mm

Panel Mounting Dimension



KA1238 M 中轉

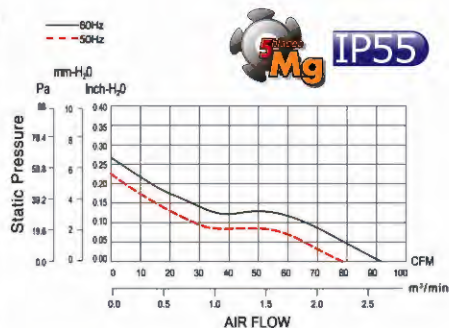
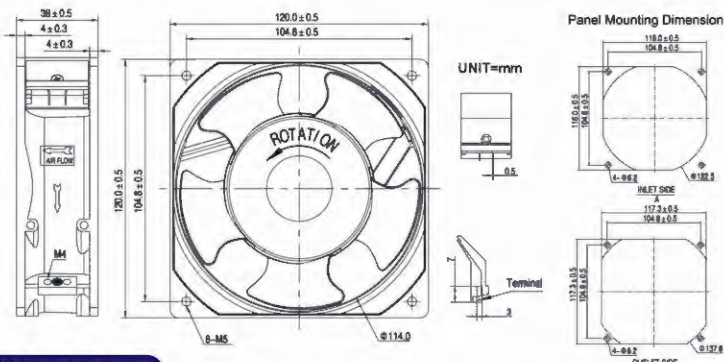
型號 Model	Part No. Terminal Leadwire	軸承類別 Bearing System	電壓 Rated Voltage(V)	頻率 Freq (Hz)	電流 Current (A)	功率 Input Power(W)	轉速 Speed (rpm)	風量 Air Flow (CFM)	靜壓 Static Pressure (inch-H ₂ O)	噪音值 Noise Level(dB-A)	重量 Weight (g)
KA1238MA1-2(IP55)/Mg	1238MA1BMT(L)	Ball	110/120	50/60	0.14/0.12	12/11	2500/2700	78/92	0.23/0.27	41/45	455
KA1238MA2-2(IP55)/Mg	1238MA2BMT(L)	Ball	220/240	50/60	0.08/0.07	14/13	2500/2700	78/92	0.23/0.27	41/45	455
KA1238MA3-2(IP55)/Mg	1238MA3BMT(L)	Ball	380/400	50/60	0.05/0.04	13/12	2500/2700	78/92	0.23/0.27	41/45	455
KA1238MA1-2(IP55)/Mg	1238MA1SMT(L)	Sleeve(Best)	110/120	50/60	0.14/0.12	12/11	2500/2700	78/92	0.23/0.27	41/45	455
KA1238MA2-2(IP55)/Mg	1238MA2SMT(L)	Sleeve(Best)	220/240	50/60	0.08/0.07	14/13	2500/2700	78/92	0.23/0.27	41/45	455
KA1238MA3-2(IP55)/Mg	1238MA3SMT(L)	Sleeve(Best)	380/400	50/60	0.05/0.04	13/12	2500/2700	78/92	0.23/0.27	41/45	455

IP55 KAI 238 SERIES

120 × 120 × 38mm L(低轉) & Dual-Voltage(雙電壓)

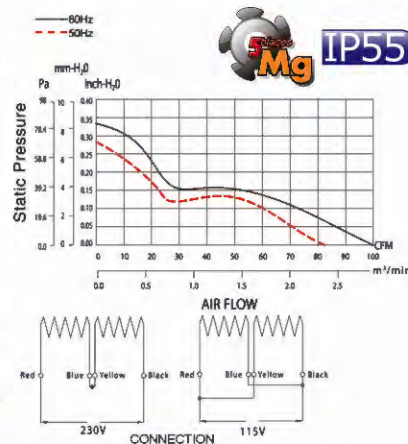
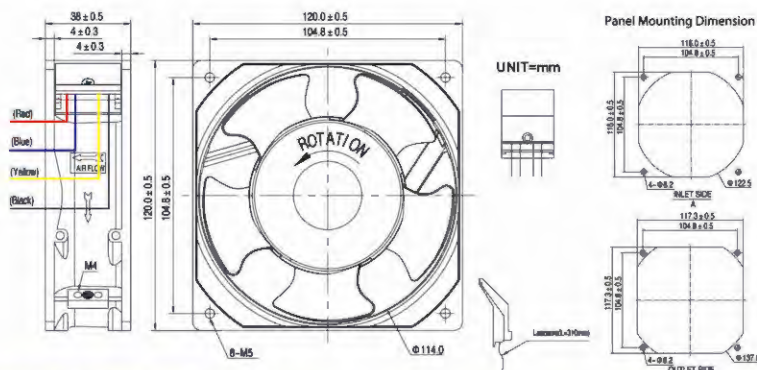
IP55 KAI 238 SERIES
L(低轉) & Dual-Voltage(雙電壓)

08



KA1238 L 低轉

型號 Model	Part No. Terminal Leadwire	軸承類別 Bearing System	電壓 Rated Voltage(V)	頻率 Freq (Hz)	電流 Current (A)	功率 Input Power(W)	轉速 Speed (rpm)	風量 Air Flow (CFM)	靜壓 Static Pressure (inch-H ₂ O)	噪音值 Noise Level(dB-A)	重量 Weight (g)
KA1238LA1-2(IP55)/Mg	1238LA1BMT(L)	Ball	110/120	50/60	0.10/0.09	9/8	2300/2000	70/65	0.18/0.13	39/36	450
KA1238LA2-2(IP55)/Mg	1238LA2BMT(L)	Ball	220/240	50/60	0.05/0.05	9/9	2300/2000	70/65	0.18/0.13	39/36	450
KA1238LA3-2(IP55)/Mg	1238LA3BMT(L)	Ball	380/400	50/60	0.03/0.03	9/8	2300/2000	70/65	0.18/0.13	39/36	450
KA1238LA1-2(IP55)/Mg	1238LA1SMT(L)	Sleeve(Best)	110/120	50/60	0.10/0.09	9/8	2300/2000	70/65	0.18/0.13	39/36	450
KA1238LA2-2(IP55)/Mg	1238LA2SMT(L)	Sleeve(Best)	220/240	50/60	0.05/0.05	9/9	2300/2000	70/65	0.18/0.13	39/36	450
KA1238LA3-2(IP55)/Mg	1238LA3SMT(L)	Sleeve(Best)	380/400	50/60	0.03/0.03	9/8	2300/2000	70/65	0.18/0.13	39/36	450

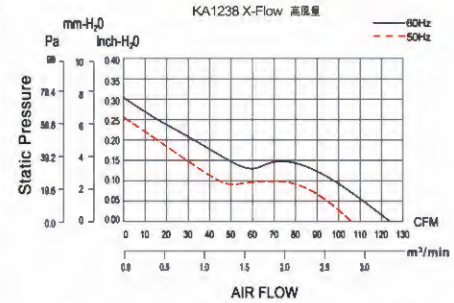
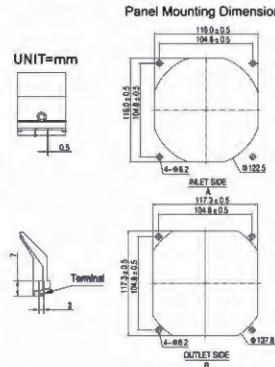
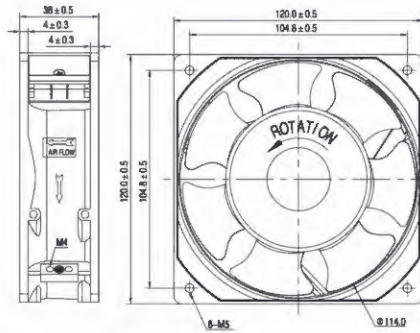


KA1238 Dual-Voltage 雙電壓

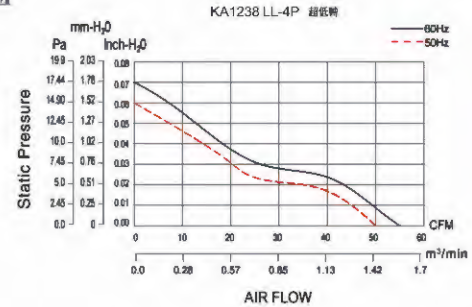
型號 Model	Part No. Terminal Leadwire	軸承類別 Bearing System	電壓 Rated Voltage(V)	頻率 Freq (Hz)	電流 Current (A)	功率 Input Power(W)	轉速 Speed (rpm)	風量 Air Flow (CFM)	靜壓 Static Pressure (inch-H ₂ O)	噪音值 Noise Level(dB-A)	重量 Weight (g)
KA1238HA1/A2-2(IP55)/Mg	1238HA1BML	Ball	115	50/60	0.28/0.22	21/18	2700/3100	84/100	0.28/0.34	49/51	460
	1238HA2BML	Ball	230	50/60	0.13/0.11	21/18	2700/3100	84/100	0.28/0.34	49/51	460
	1238HA1SML	Sleeve(Best)	115	50/60	0.28/0.22	21/18	2700/3100	84/100	0.28/0.34	49/51	460
	1238HA2SML	Sleeve(Best)	230	50/60	0.13/0.11	21/18	2700/3100	84/100	0.28/0.34	49/51	460

IP55 KAI 238 SERIES

X-Flow (高風量) & LL-4P (超低轉) 120 × 120 × 38mm



外形與KA1238LL系列相同



KA1238 X-Flow 高風量

型號 Model	Part No. Terminal Leadwire	軸承類別 Bearing System	電壓 Rated Voltage(V)	頻率 Freq (Hz)	電流 Current (A)	功率 Input Power(W)	轉速 Speed (rpm)	風量 Air Flow (CFM)	靜壓 Static Pressure (inch-H ₂ O)	噪音值 Noise Level(dB-A)	重量 Weight (g)
KA1238XA1-2(IP55)/PC	1238XA1BMT(L)	Ball	110/120	50/60	0.31/0.25	23/20	2500/2850	105/123	0.26/0.31	50/52	470
KA1238XA2-2(IP55)/PC	1238XA2BMT(L)	Ball	220/240	50/60	0.15/0.13	23/20	2500/2850	105/123	0.26/0.31	50/52	470
KA1238XA3-2(IP55)/PC	1238XA3BMT(L)	Ball	380/400	50/60	0.09/0.08	23/20	2500/2850	105/123	0.26/0.31	50/52	470
KA1238XA1-2(IP55)/PC	1238XA1SMT(L)	Sleeve(Best)	110/120	50/60	0.31/0.25	23/20	2500/2850	105/123	0.26/0.31	50/52	470
KA1238XA2-2(IP55)/PC	1238XA2SMT(L)	Sleeve(Best)	220/240	50/60	0.15/0.13	23/20	2500/2850	105/123	0.26/0.31	50/52	470
KA1238XA3-2(IP55)/PC	1238XA3SMT(L)	Sleeve(Best)	380/400	50/60	0.09/0.08	23/20	2500/2850	105/123	0.26/0.31	50/52	470

KA1238 LL-4P 超低轉

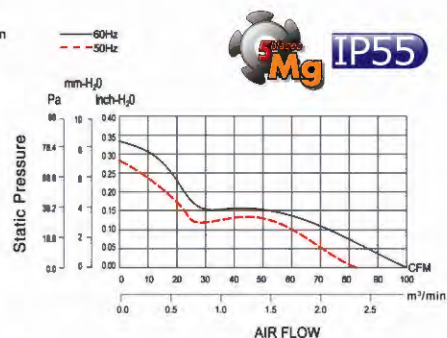
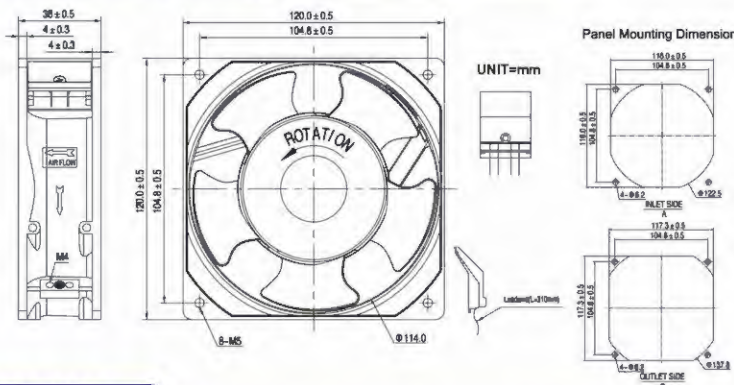
型號 Model	Part No. Terminal Leadwire	軸承類別 Bearing System	電壓 Rated Voltage(V)	頻率 Freq (Hz)	電流 Current (A)	功率 Input Power(W)	轉速 Speed (rpm)	風量 Air Flow (CFM)	靜壓 Static Pressure (inch-H ₂ O)	噪音值 Noise Level(dB-A)	重量 Weight (g)
KA1238LLA1-4(IP55)/PC	1238LLA1BMT(L)	Ball	110/120	50/60	0.15/0.13	10/8	1300/1500	50/55	0.06/0.07	36/38	470
KA1238LLA2-4(IP55)/PC	1238LLA2BMT(L)	Ball	220/240	50/60	0.09/0.07	10/8	1300/1500	50/55	0.06/0.07	36/38	470
KA1238LLA1-4(IP55)/PC	1238LLA1SMT(L)	Sleeve(Best)	110/120	50/60	0.15/0.13	10/8	1300/1500	50/55	0.06/0.07	36/38	470
KA1238LLA2-4(IP55)/PC	1238LLA2SMT(L)	Sleeve(Best)	220/240	50/60	0.09/0.07	10/8	1300/1500	50/55	0.06/0.07	36/38	470

IP55 KAI 238 SERIES

120 × 120 × 38mm AC24V & E.M.C. (抗屏蔽)

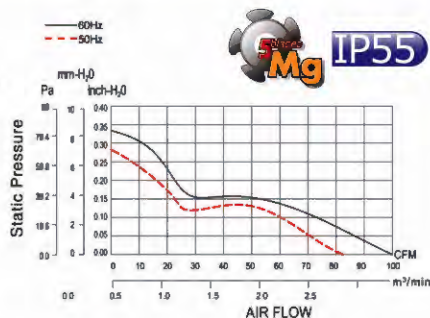
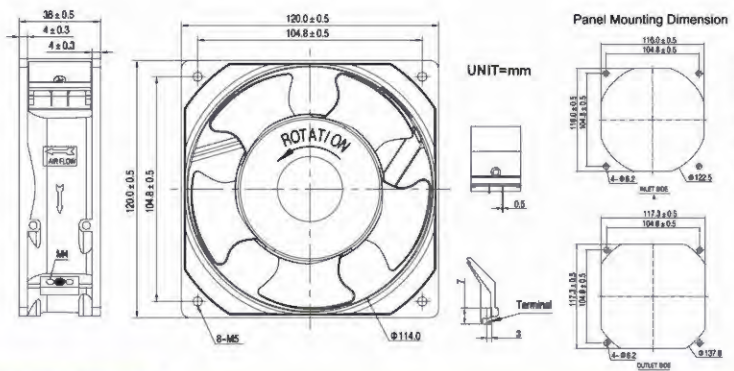
IP55 KAI 238 SERIES
AC24V & E.M.C. (抗屏蔽)

10



KA1238 AC24V

型號 Model	Part No. Terminal Leadwire	軸承類別 Bearing System	電壓 Rated Voltage(V)	頻率 Freq (Hz)	電流 Current (A)	功率 Input Power(W)	轉速 Speed (rpm)	風量 Air Flow (CFM)	靜壓 Static Pressure (inch-H ₂ O)	噪音值 Noise Level(dB-A)	重量 Weight (g)
KA1238HA24-2(IP55)/Mg	1238HA24BMT(L)	Ball	24	50/60	1.05/0.85	15/13	2700/3100	84/100	0.28/0.34	45/51	460
KA1238HA24-2(IP55)/Mg	1238HA24SMT(L)	Sleeve(Best)	24	50/60	1.05/0.85	15/13	2700/3100	84/100	0.28/0.34	45/51	460

0.15 MHz~0.30 MHz
0.30 MHz~1.0 GHz

Report Number:708880825101-00

KA1238 E.M.C. 抗屏蔽

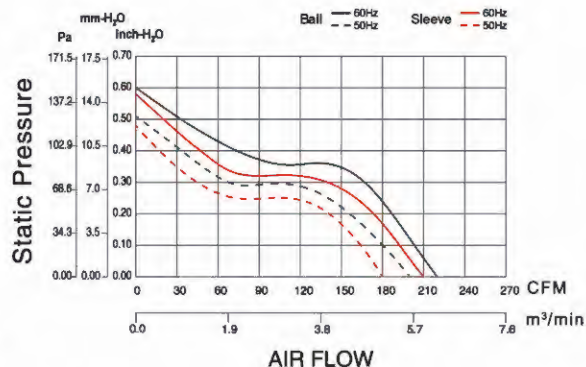
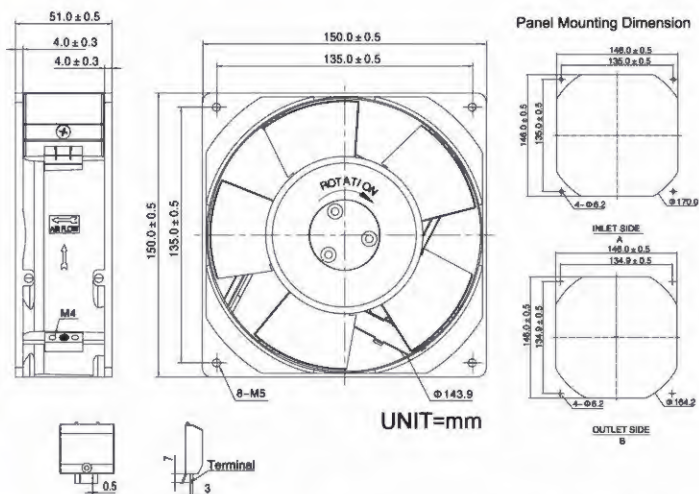
型號 Model	Part No. Terminal Leadwire	軸承類別 Bearing System	電壓 Rated Voltage(V)	頻率 Freq (Hz)	電流 Current (A)	功率 Input Power(W)	轉速 Speed (rpm)	風量 Air Flow (CFM)	靜壓 Static Pressure (inch-H ₂ O)	噪音值 Noise Level(dB-A)	重量 Weight (g)
KA1238HA1/EMC(IP55)/Mg	1238HA1BMT(L)	Ball	110/120	50/60	0.28/0.22	21/18	2700/3100	84/100	0.28/0.34	49/51	460
KA1238HA2/EMC(IP55)/Mg	1238HA2BMT(L)	Ball	220/240	50/60	0.13/0.11	21/18	2700/3100	84/100	0.28/0.34	49/51	460
KA1238HA3/EMC(IP55)/Mg	1238HA3BMT(L)	Ball	380/400	50/60	0.07/0.06	21/18	2700/3100	84/100	0.28/0.34	49/51	460
KA1238HA1/EMC(IP55)/Mg	1238HA1SMT(L)	Sleeve(Best)	110/120	50/60	0.28/0.22	21/18	2700/3100	84/100	0.28/0.34	49/51	460
KA1238HA2/EMC(IP55)/Mg	1238HA2SMT(L)	Sleeve(Best)	220/240	50/60	0.13/0.11	21/18	2700/3100	84/100	0.28/0.34	49/51	460
KA1238HA3/EMC(IP55)/Mg	1238HA3SMT(L)	Sleeve(Best)	380/400	50/60	0.07/0.06	21/18	2700/3100	84/100	0.28/0.34	49/51	460

IP55 KAI 525 SERIES

150 × 150 × 51 mm

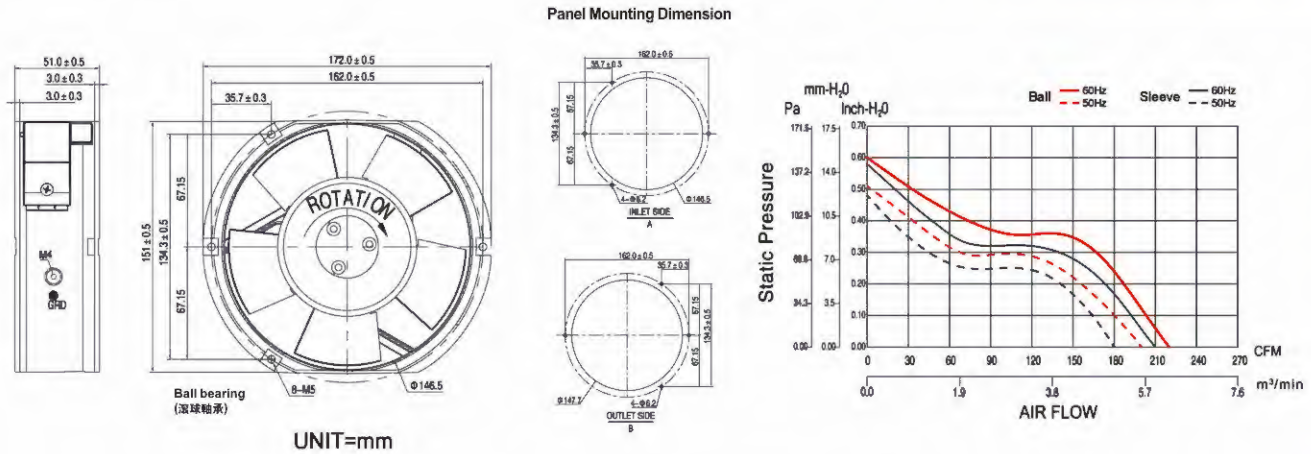
IP55 KAI 525 SERIES

12



IP55

型號 Model	Part No. Terminal Leadwire	軸承類別 Bearing System	電壓 Rated Voltage(V)	頻率 Freq (Hz)	電流 Current (A)	功率 Input Power(W)	轉速 Speed (rpm)	風量 Air Flow (CFM)	靜壓 Static Pressure (inch-H ₂ O)	噪音值 Noise Level(dB-A)	重量 Weight (g)
KA1525HA1-2(IP55)/Mg	1525HA1BMT(L)	Ball	110/120	50/60	0.65/0.55	45/40	2800/3200	200/220	0.51/0.60	57/59	990
KA1525HA2-2(IP55)/Mg	1525HA2BMT(L)	Ball	220/240	50/60	0.35/0.28	45/40	2800/3200	200/220	0.51/0.60	57/59	990
KA1525HA3-2(IP55)/Mg	1525HA3BMT(L)	Ball	380/400	50/60	0.20/0.27	45/40	2800/3200	200/220	0.51/0.60	57/59	990
KA1525HA1-2(IP55)/Mg	1525HA1SMT(L)	Sleeve(Best)	110/120	50/60	0.40/0.35	31/28	2700/3100	180/210	0.48/0.58	56/58	890
KA1525HA2-2(IP55)/Mg	1525HA2SMT(L)	Sleeve(Best)	220/240	50/60	0.20/0.17	30/28	2700/3100	180/210	0.48/0.58	56/58	890
KA1525HA3-2(IP55)/Mg	1525HA3SMT(L)	Sleeve(Best)	380/400	50/60	0.13/0.11	32/29	2700/3100	180/210	0.48/0.58	56/58	890



IP55

KA1725 H 高轉

型號 Model	Part No. Terminal Leadwire	軸承類別 Bearing System	電壓 Rated Voltage(V)	頻率 Freq (Hz)	電流 Current (A)	功率 Input Power(W)	轉速 Speed (rpm)	風量 Air Flow (CFM)	靜壓 Static Pressure (inch-H ₂ O)	噪音值 Noise Level(dB-A)	重量 Weight (g)
KA1725HA1-2(IP55)/Mg	1725HA1BMT(L)	Ball	110/120	50/60	0.65/0.55	45/40	2800/3200	200/220	0.51/0.60	57/59	940
KA1725HA2-2(IP55)/Mg	1725HA2BMT(L)	Ball	220/240	50/60	0.35/0.28	45/40	2800/3200	200/220	0.51/0.60	57/59	940
KA1725HA3-2(IP55)/Mg	1725HA3BMT(L)	Ball	380/400	50/60	0.20/0.27	45/40	2800/3200	200/220	0.51/0.60	57/59	940

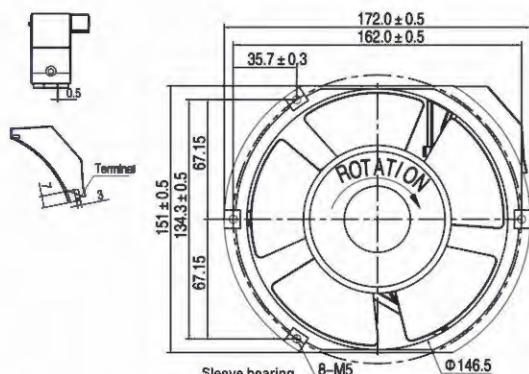
IP55 KAI 725 SERIES

172 × 150 × 51 mm

H (高轉)

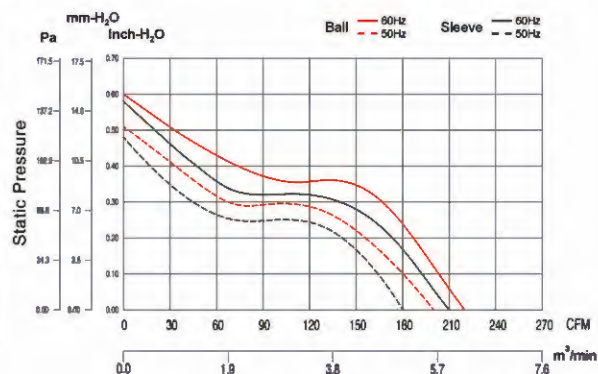
IP55 KAI 725 SERIES
H (高轉)

14



UNIT=mm

Panel Mounting Dimension



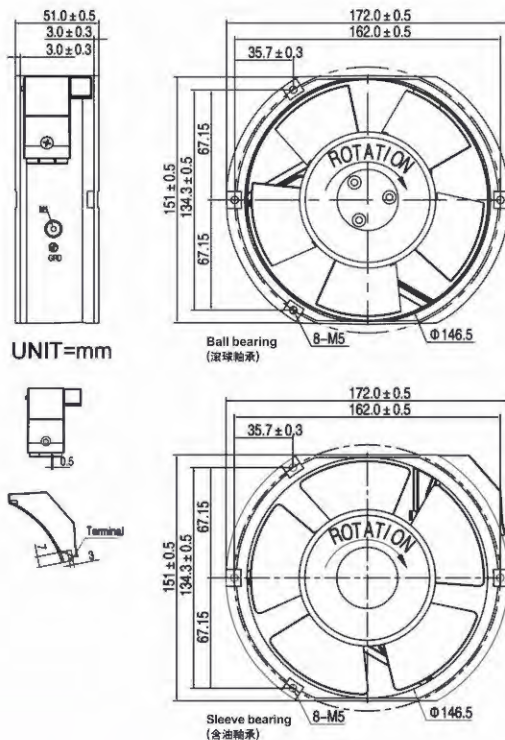
IP55

KA1725 H 高轉

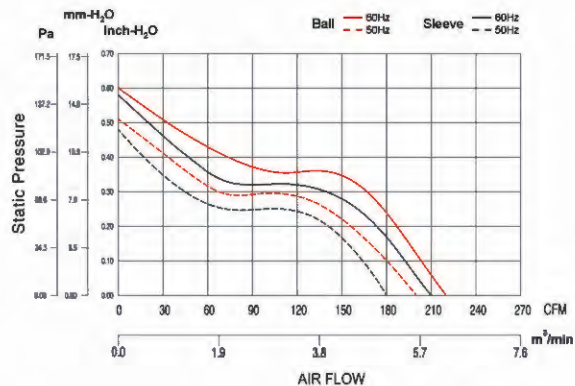
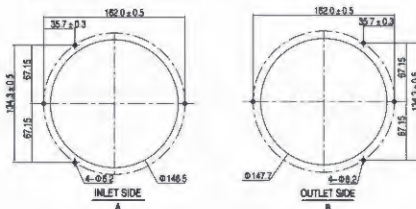
型號 Model	Part No. Terminal Leadwire	軸承類別 Bearing System	電壓 Rated Voltage(V)	頻率 Freq (Hz)	電流 Current (A)	功率 Input Power(W)	轉速 Speed (rpm)	風量 Air Flow (CFM)	靜壓 Static Pressure (inch-H ₂ O)	噪音值 Noise Level(dB-A)	重量 Weight (g)
KA1725HA1-2(IP55)/Mg	1725HA1SMT(L)	Sleeve(Best)	110/120	50/60	0.40/0.35	31/28	2700/3100	180/210	0.48/0.58	56/58	850
KA1725HA2-2(IP55)/Mg	1725HA2SMT(L)	Sleeve(Best)	220/240	50/60	0.20/0.17	30/28	2700/3100	180/210	0.48/0.58	56/58	850
KA1725HA3-2(IP55)/Mg	1725HA3SMT(L)	Sleeve(Best)	380/400	50/60	0.13/0.11	32/29	2700/3100	180/210	0.48/0.58	56/58	850

IP55 KAI 725 SERIES

AC24V & E.M.C. (抗屏蔽) 172 × 150 × 51 mm



Panel Mounting Dimension



IP55

KA1725 AC24V

型號 Model	Part No. Terminal Leadwire	軸承類別 Bearing System	電壓 Rated Voltage(V)	頻率 Freq (Hz)	電流 Current (A)	功率 Input Power(W)	轉速 Speed (rpm)	風量 Air Flow (CFM)	靜壓 Static Pressure (inch-H ₂ O)	噪音值 Noise Level(dB-A)	重量 Weight (g)
KA1725HA24(IP55)/Mg	1725HA24BMT(L)	Ball	24	50/60	2.4/2.0	45/40	2800/3200	200/220	0.51/0.60	57/59	940
KA1725HA24(IP55)/Mg	1725HA24SMT(L)	Sleeve(Best)	24	50/60	2.1/1.8	33/31	2700/3100	180/210	0.48/0.58	56/58	850

KA1725 E.M.C. 抗屏蔽

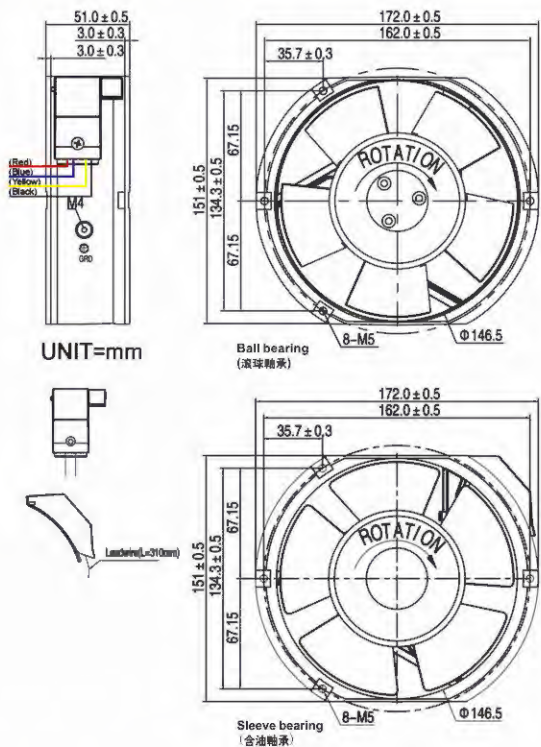
型號 Model	Part No. Terminal Leadwire	軸承類別 Bearing System	電壓 Rated Voltage(V)	頻率 Freq (Hz)	電流 Current (A)	功率 Input Power(W)	轉速 Speed (rpm)	風量 Air Flow (CFM)	靜壓 Static Pressure (inch-H ₂ O)	噪音值 Noise Level(dB-A)	重量 Weight (g)
KA1725HA1/EMC(IP55)/Mg	1725HA1BMT(L)	Ball	110/120	50/60	0.65/0.55	45/40	2800/3200	200/220	0.51/0.60	57/59	940
KA1725HA2/EMC(IP55)/Mg	1725HA2BMT(L)	Ball	220/240	50/60	0.35/0.28	45/40	2800/3200	200/220	0.51/0.60	57/59	940
KA1725HA3/EMC(IP55)/Mg	1725HA3BMT(L)	Ball	380/400	50/60	0.20/0.27	45/40	2800/3200	200/220	0.51/0.60	57/59	940
KA1725HA1/EMC(IP55)/Mg	1725HA1SMT(L)	Sleeve(Best)	110/120	50/60	0.40/0.35	31/28	2700/3100	180/210	0.48/0.58	56/58	850
KA1725HA2/EMC(IP55)/Mg	1725HA2SMT(L)	Sleeve(Best)	220/240	50/60	0.20/0.17	30/28	2700/3100	180/210	0.48/0.58	56/58	850
KA1725HA3/EMC(IP55)/Mg	1725HA3SMT(L)	Sleeve(Best)	380/400	50/60	0.13/0.11	32/29	2700/3100	180/210	0.48/0.58	56/58	850

IP55 KAI 725 SERIES

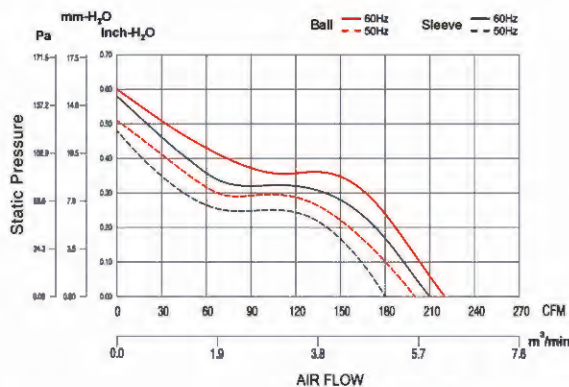
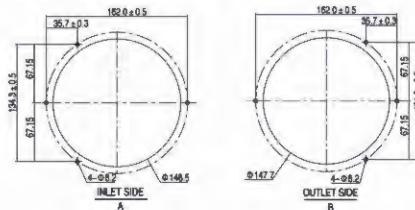
172 × 150 × 51 mm Dual-Voltage (雙電壓)

IP55 KAI 725 SERIES
Dual-Voltage (雙電壓)

16



Panel Mounting Dimension

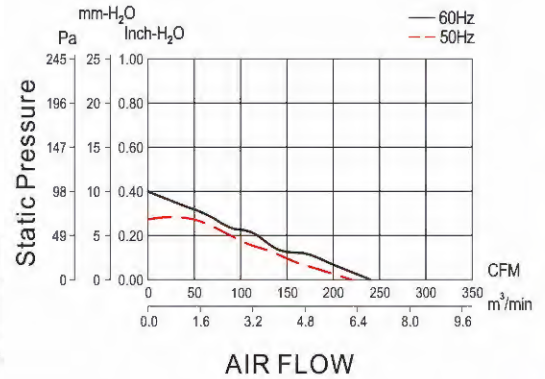
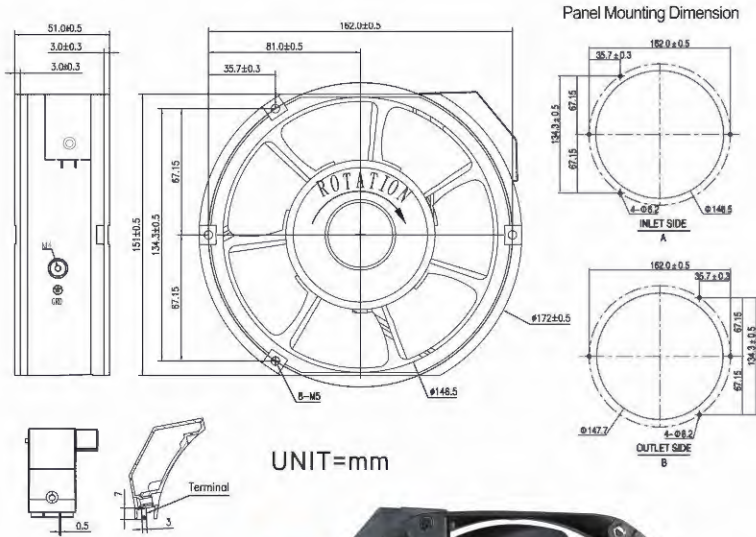


KA1725 Dual-Voltage 雙電壓

型號 Model	Part No. Terminal Leadwire	軸承類別 Bearing System	電壓 Rated Voltage(V)	頻率 Freq (Hz)	電流 Current (A)	功率 Input Power(W)	轉速 Speed (rpm)	風量 Air Flow (CFM)	靜壓 Static Pressure (inch-H ₂ O)	噪音值 Noise Level(dB-A)	重量 Weight (g)
KA1725HA1/A2(IP55)Mg	1725HA1BML	Ball	115	50/60	0.65/0.55	45/40	2800/3200	200/220	0.51/0.60	57/59	940
	1725HA2BML	Ball	230	50/60	0.35/0.28	45/40	2800/3200	200/220	0.51/0.60	57/59	940
	1725HA1SML	Sleeve(Best)	115	50/60	0.40/0.35	31/28	2700/3100	180/210	0.48/0.58	56/58	850
	1725HA2SML	Sleeve(Best)	230	50/60	0.20/0.17	30/28	2700/3100	180/210	0.48/0.58	56/58	850

KAI 725 SERIES

X-Flow (高風量) 172×150×51mm



KA1725 X-Flow 高風量

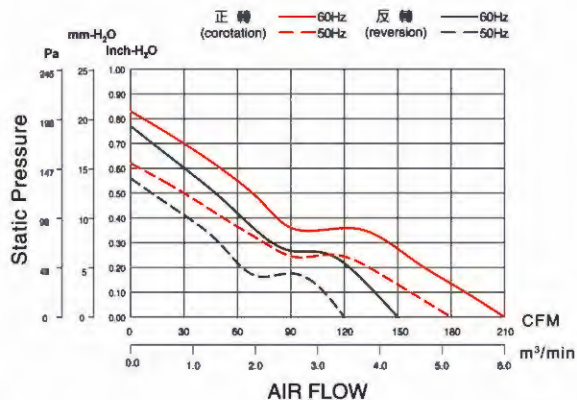
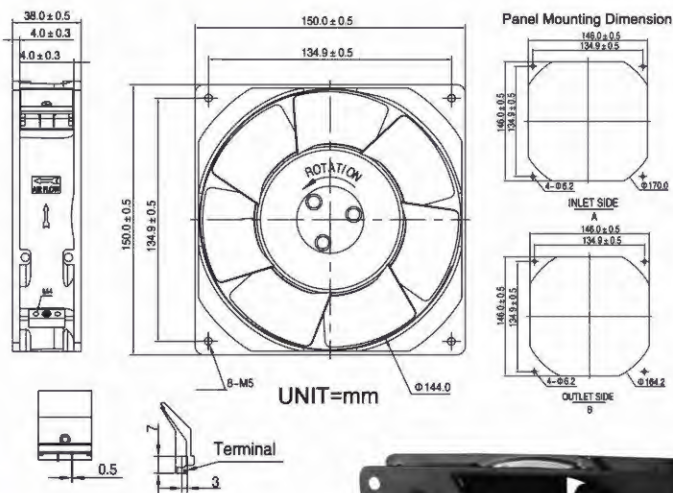
型號 Model	Part No. Terminal Leadwire	軸承類別 Bearing System	電壓 Rated Voltage(V)	頻率 Freq (Hz)	電流 Current (A)	功率 Input Power(W)	轉速 Speed (rpm)	風量 Air Flow (CFM)	靜壓 Static Pressure (inch-H ₂ O)	噪音值 Noise Level(dB-A)	重量 Weight (g)
KA1725XA1-2/PC	1725XA1BMT(L)	Ball	110/120	50/60	0.53/0.45	42/39	2750/3000	220/240	0.40/0.28	57/59	940
KA1725XA2-2/PC	1725XA2BMT(L)	Ball	220/240	50/60	0.28/0.24	42/39	2750/3000	220/240	0.40/0.28	57/59	940
KA1725XA3-2/PC	1725XA3BMT(L)	Ball	380/400	50/60	0.14/0.13	42/39	2750/3000	220/240	0.40/0.28	57/59	940

KAI 5023/Mg SERIES

150 × 150 × 38mm

KAI 5023/Mg SERIES

18



型號 Model	Part No. Terminal Leadwire	軸承類別 Bearing System	電壓 Rated Voltage(V)	頻率 Freq (Hz)	電流 Current (A)	功率 Input Power(W)	轉速 Speed (rpm)	風量 Air Flow (CFM)	靜壓 Static Pressure (inch-H ₂ O)	噪音值 Noise Level(dB-A)	重量 Weight (g)
KA15023HA(1)1-2/Mg	15023HA(1)1BMT(L)	Ball	110/120	50/60	0.27/0.23	27/26	2800/3300	180/210	0.62/0.83	57/61	650
	15023HA(1)1BML(C)	Ball	110/120	50/60	0.27/0.23	27/26	2800/3300	180/210 120/150 正轉 (corotation) 反轉 (reversion)	0.62/0.83 0.56/0.77 正轉 (corotation) 反轉 (reversion)	57/61	650
	15023HA(1)1BML(A)	Ball	110/120	50/60	0.27/0.23	27/26	2800/3300	180/210	0.62/0.83	57/61	650
KA15023HA(1)2-2/Mg	15023HA(1)2BMT(L)	Ball	220/240	50/60	0.13/0.12	25/26	2800/3300	180/210	0.62/0.83	57/61	650
	15023HA(1)2BML(C)	Ball	220/240	50/60	0.13/0.12	25/26	2800/3300	180/210 120/150 正轉 (corotation) 反轉 (reversion)	0.62/0.83 0.56/0.77 正轉 (corotation) 反轉 (reversion)	57/61	650
	15023HA(1)2BML(A)	Ball	220/240	50/60	0.13/0.12	25/26	2800/3300	180/210	0.62/0.85	57/61	650

說明: 1. 表中 (1) 代表單相

2. 表中 (C) 代表正反轉功能 (此機型為引線式, 線長310mm, 採用符合UL1332#, 24AWG, 200°C之黑色線, 引線為三線式 "□□□" □-□正轉, □-□反轉)

3. 表中 (A) 代表報警功能 (a. 報警功能採用無源觸點式 b. 此機型為端子式, 報警信號線長310mm, 採用符合UL1332#, 24AWG, 200°C之黃色線)

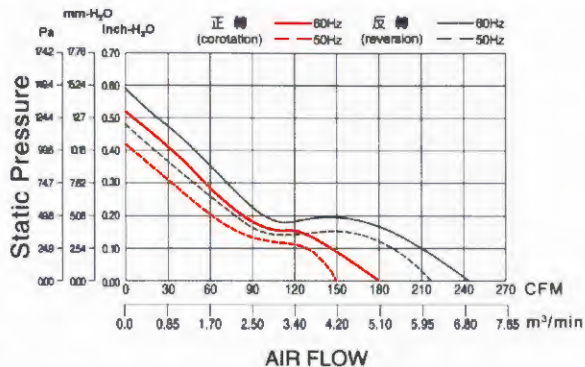
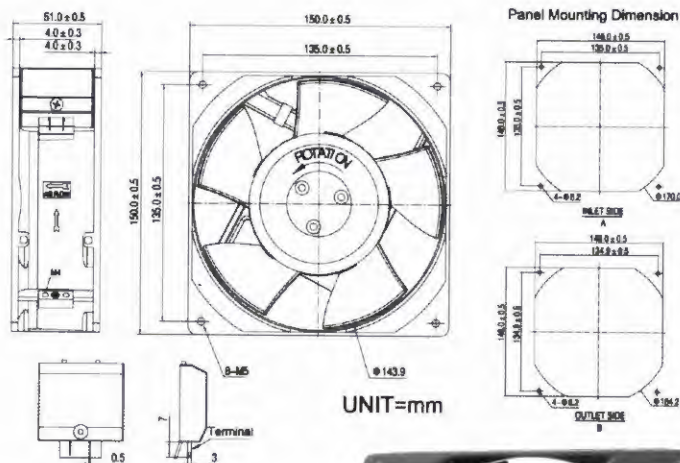
Note: 1. (1) represent single-phase

2. (C) represent the function of corotation and rollback (this fan is lead wire style, adopting 3 black wires with each of the length 310mm which meet UL 1332#, 24AWG, 200°C standard "□□□" □-□ corotation □-□ reversion) in the form.

3. (A) represent the function of fan with warning signal output (a. This warning function adopt passive adherent point type; b. This fan is terminal type, warning signal output adopting yellow wire with the length 310mm which meet UL 1332#, 24AWG, 200°C standard) in the form.

KA15025/Mg SERIES

150×150×51mm



型號 Model	Part No. Terminal Leadwire	軸承類別 Bearing System	電壓 Rated Voltage(V)	頻率 Freq (Hz)	電流 Current (A)	功率 Input Power(W)	轉速 Speed (rpm)	風量 Air Flow (CFM)	靜壓 Static Pressure (inch-H ₂ O)	噪音值 Noise Level(dB-A)	重量 Weight (g)
KA15025HA(1)1-2/Mg	15025HA(1)1BMT(L)	Ball	110/120	50/60	0.25/0.26	27/30	2800/3300	218/245	0.48/0.59	59/62	840
	15025HA(1)1BML(C)	Ball	110/120	50/60	0.25/0.26	27/30	2800/3300	218/245 150/180 正轉 反轉 (corotation) (reversion)	0.48/0.59 0.42/0.52 正轉 反轉 (corotation) (reversion)	59/62	840
	15025HA(1)1BML(A)	Ball	110/120	50/60	0.25/0.26	27/30	2800/3300	218/245	0.48/0.59	59/62	840
KA15025HA(1)2-2/Mg	15025HA(1)2BMT(L)	Ball	220/240	50/60	0.12/0.13	27/30	2800/3300	218/245	0.48/0.59	59/62	840
	15025HA(1)2BML(C)	Ball	220/240	50/60	0.12/0.13	27/30	2800/3300	218/245 150/180 正轉 反轉 (corotation) (reversion)	0.48/0.59 0.42/0.52 正轉 反轉 (corotation) (reversion)	59/62	840
	15025HA(1)2BML(A)	Ball	220/240	50/60	0.12/0.13	27/30	2800/3300	218/245	0.48/0.59	59/62	840
KA15025HA(3)3-2/Mg	15025HA(3)3BML	Ball	380/440	50/60	0.08/0.09	28/31	2800/3300	218/245	0.48/0.59	59/62	840
	15025HA(3)3BML(A)	Ball	380/440	50/60	0.08/0.09	28/31	2800/3300	218/245	0.48/0.59	59/62	840

說明: 1. 表中 (1) 代表單相, (3) 代表三相

2. 表中 (C) 代表正反轉功能 (此機型為引線式, 線長310mm, 採用符合UL1332#, 24AWG, 200°C之黑色線, 引線為三線式 “0000” 0-0正轉, 0-0反轉)

3. 表中 (A) 代表報警功能 (a. 報警功能採用無源觸點式 b. 此機型為端子式, 報警信號線長310mm, 採用符合UL1332#, 24AWG, 200°C之黃色線)

Note: 1. (1) represent single-phase, (3) represent triphase in the form.

2. (C) represent the function of corotation and rollback (this fan is lead wire style, adopting 3 black wires with each of the length 310mm which meet UL 1332#, 24AWG, 200°C standard “0000” corotation 0-0 reversion) in the form.

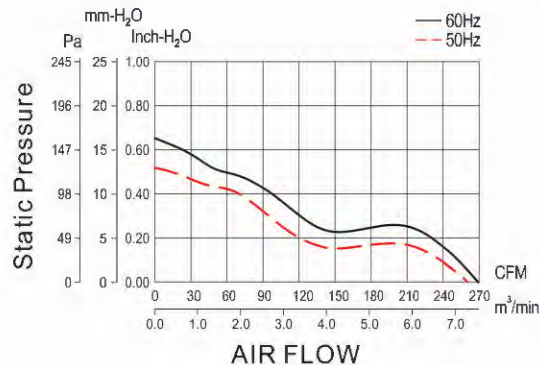
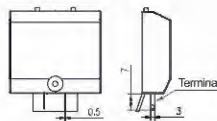
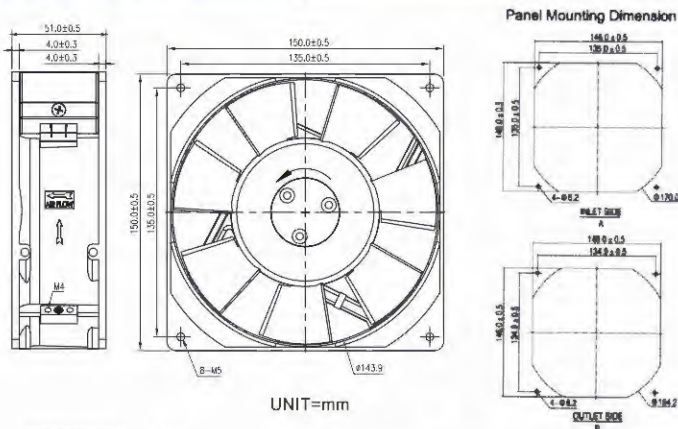
3. (A) represent the function of fan with warning signal output (a. This warning function adopt passive adherent point type; b. This fan is terminal type, warning signal output adopting yellow wire with the length 310mm which meet UL 1332#, 24AWG, 200°C standard) in the form.

KA15025/Mg SERIES

150×150×51mm X-Flow (高風量)

KAI5025/Mg SERIES
X-Flow(高風量)

20



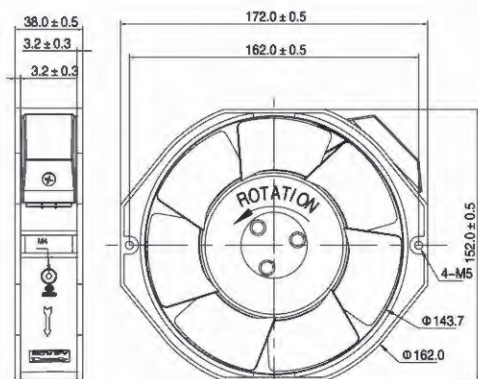
型號 Model	Part No. Terminal Leadwire	軸承類別 Bearing System	電壓 Rated Voltage(V)	頻率 Freq (Hz)	電流 Current (A)	功率 Input Power(W)	轉速 Speed (rpm)	風量 Air Flow (CFM)	靜壓 Static Pressure (inch-H ₂ O)	噪音值 Noise Level(dB-A)	重量 Weight (g)
KA15025XA(1)1-2/PC	15025XA(1)1BMT	Ball	110/120	50/60	0.40/0.46	60/65	2850/3300	254/268	0.52/0.65	62/65	860
	15025XA(1)1BMT(A)	Ball	110/120	50/60	0.40/0.46	60/65	2850/3300	254/268	0.52/0.65	62/65	860
KA15025XA(1)2-2/PC	15025XA(1)2BMT	Ball	220/240	50/60	0.26/0.28	60/65	2850/3300	254/268	0.52/0.65	62/65	860
	15025XA(1)2BMT(A)	Ball	220/240	50/60	0.26/0.28	60/65	2850/3300	254/268	0.52/0.65	62/65	860
KA15025XA(3)3-2/PC	15025XA(3)3BMT	Ball	380/400	50/60	0.13/0.16	60/65	2850/3300	254/268	0.52/0.65	62/65	860
	15025XA(3)3BMT(A)	Ball	380/400	50/60	0.13/0.16	60/65	2850/3300	254/268	0.52/0.65	62/65	860

說明: 1. 表中 (1) 代表單相

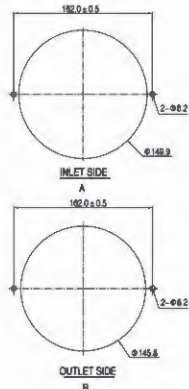
2. 表中 (A) 代表報警功能 (a. 報警功能採用無源觸點式, b. 此機型為端子式, 報警信號線長310mm, 採用符合UL1332#, 24AWG, 200°C之黃色線)

Note: 1. (1) represent single-phase

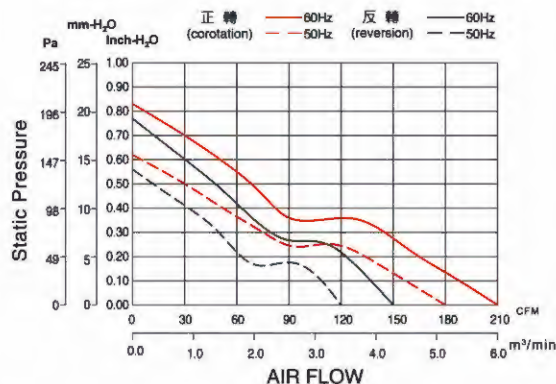
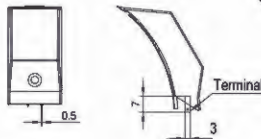
2. (A) represent the function of fan with warning signal output (a. This warning function adopt passive adherent point type; b. This fan is terminal type, warning signal output adopting yellow wire with the length 310mm which meet UL1332#, 24AWG, 200°C standard) in the form.



Panel Mounting Dimension



UNIT=mm



型號 Model	Part No. Terminal Leadwire	軸承類別 Bearing System	電壓 Rated Voltage(V)	頻率 Freq (Hz)	電流 Current (A)	功率 Input Power(W)	轉速 Speed (rpm)	風量 Air Flow (CFM)	靜壓 Static Pressure (inch-H ₂ O)	噪音值 Noise Level(dB-A)	重量 Weight (g)
KA17023HA(1)1-2(IP55)/Mg	17023HA(1)1BMT(L)	Ball	110/120	50/60	0.27/0.23	27/26	2800/3300	180/210	0.62/0.83	57/61	700
	17023HA(1)1BML(C)	Ball	110/120	50/60	0.27/0.23	27/26	2800/3300	180/210 120/150 正轉 (corotation) 反轉 (reversion)	0.62/0.83 0.56/0.77 正轉 (corotation) 反轉 (reversion)	57/61	700
	17023HA(1)1BML(A)	Ball	110/120	50/60	0.27/0.23	27/26	2800/3300	180/210	0.62/0.83	57/61	700
KA17023HA(1)2-2(IP55)/Mg	17023HA(1)2BMT(L)	Ball	220/240	50/60	0.13/0.12	27/26	2800/3300	180/210	0.62/0.83	57/61	700
	17023HA(1)2BML(C)	Ball	220/240	50/60	0.13/0.12	27/26	2800/3300	180/210 120/150 正轉 (corotation) 反轉 (reversion)	0.62/0.83 0.56/0.77 正轉 (corotation) 反轉 (reversion)	57/61	700
	17023HA(1)2BML(A)	Ball	220/240	50/60	0.13/0.12	27/26	2800/3300	180/210	0.64/0.85	57/61	700

說明: 1. 表中 (1) 代表單相
 2. 表中 (C) 代表正反轉功能 (此機型為引線式, 線長310mm, 採用符合UL1332#, 24AWG, 200°C之黑色線, 引線為三線式 “□□□” □-□正轉, □-□反轉)
 3. 表中 (A) 代表報警功能 (a. 報警功能採用無源觸點式 b. 此機型為端子式, 報警信號線長310mm, 採用符合UL1332#, 24AWG, 200°C之黃色線)

Note: 1. (1) represent single-phase

2. (C) represent the function of corotation and rollback (this fan is lead wire style, adopting 3 black wires with each of the length 310mm which meet UL 1332#, 24AWG, 200°C standard “□□□” □-□ corotation □-□ reversion) in the form.

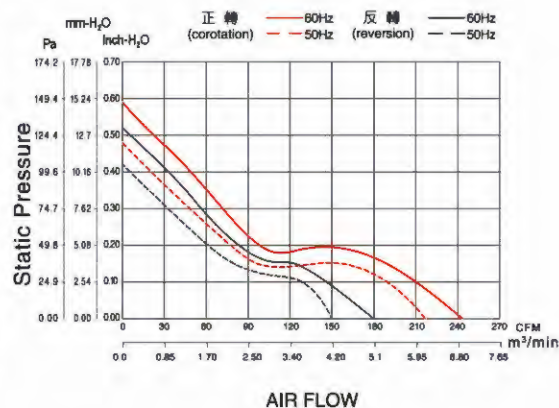
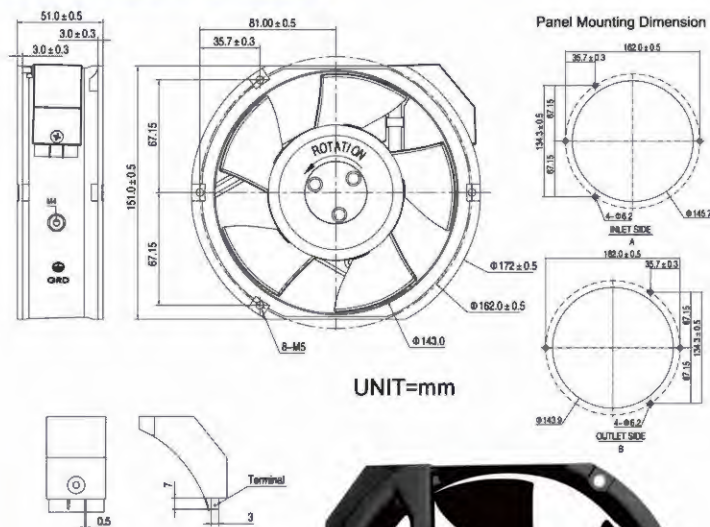
3. (A) represent the function of fan with warning signal output (a. This warning function adopt passive adherent point type; b. This fan is terminal type, warning signal output adopting yellow wire with the length 310mm which meet UL 1332#, 24AWG, 200°C standard) in the form.

KAI 7025/Mg SERIES

172×150×51mm

KAI 7025/Mg SERIES

22



型號 Model	Part No. Terminal Leadwire	軸承類別 Bearing System	電壓 Rated Voltage(V)	頻率 Freq (Hz)	電流 Current (A)	功率 Input Power(W)	轉速 Speed (rpm)	風量 Air Flow (CFM)	靜壓 Static Pressure (inch-H ₂ O)	噪音值 Noise Level(dB-A)	重量 Weight (g)
KA17025HA(1)1-2/Mg	17025HA(1)1BMT(L)	Ball	110/120	50/60	0.25/0.26	27/30	2800/3300	218/245	0.48/0.59	59/62	860
	17025HA(1)1BML(C)	Ball	110/120	50/60	0.25/0.26	27/30	2800/3300	218/245 150/180 正轉 反轉 (corotation) (reversion)	0.48/0.59 0.42/0.52 正轉 反轉 (corotation) (reversion)	59/62	860
	17025HA(1)1BML(A)	Ball	110/120	50/60	0.25/0.26	27/30	2800/3300	218/245	0.48/0.59	59/62	860
KA17025HA(1)2-2/Mg	17025HA(1)2BMT(L)	Ball	220/240	50/60	0.12/0.13	27/30	2800/3300	218/245	0.48/0.59	59/62	860
	17025HA(1)2BML(C)	Ball	220/240	50/60	0.12/0.13	27/30	2800/3300	218/245 150/180 正轉 反轉 (corotation) (reversion)	0.48/0.59 0.42/0.52 正轉 反轉 (corotation) (reversion)	59/62	860
	17025HA(1)2BML(A)	Ball	220/240	50/60	0.12/0.13	27/30	2800/3300	218/245	0.48/0.59	59/62	860
KA17025HA(3)3-2/Mg	17025HA(3)3BML	Ball	380/440	50/60	0.08/0.09	28/31	2800/3300	218/245	0.48/0.59	59/62	860
	17025HA(3)3BML(A)	Ball	380/440	50/60	0.08/0.09	28/31	2800/3300	218/245	0.48/0.59	59/62	860

說明: 1. 表中 (1) 代表單相, (3) 代表三相

2. 表中 (C) 代表正反轉功能 (此機型為引線式, 線長310mm, 採用符合UL1332#, 24AWG, 200°C之黑色線, 引線為三線式 "□□□" □-□正轉, □-□反轉)

3. 表中 (A) 代表報警功能 (a. 報警功能採用無源觸點式, b. 此機型為端子式, 報警信號線長310mm, 採用符合UL1332#, 24AWG, 200°C之黃色線)

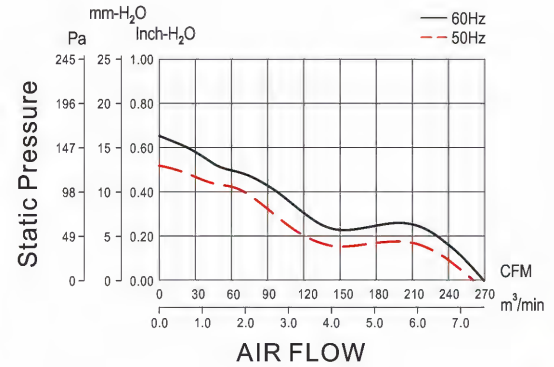
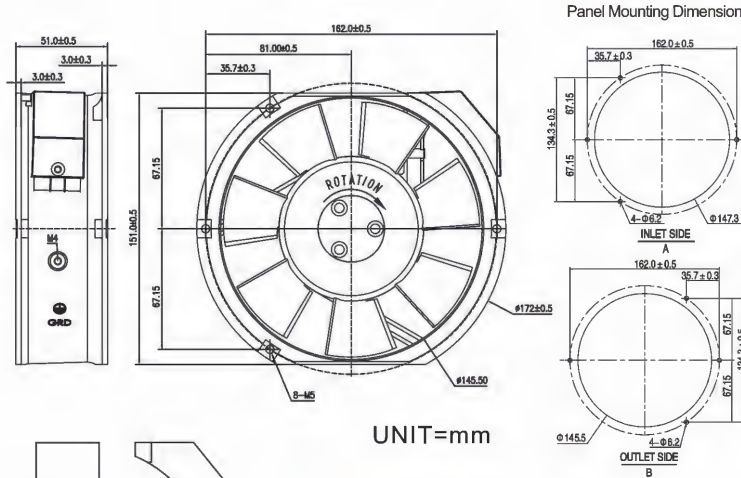
Note: 1. (1) represent single-phase, (3) represent triphase in the form.

2. (C) represent the function of corotation and rollback (this fan is lead wire style, adopting 3 black wires with each of the length 310mm which meet UL 1332#, 24AWG, 200°C standard "□□□" □-□ corotation □-□ reversion) in the form.

3. (A) represent the function of fan with warning signal output (a. This warning function adopt passive adherent point type; b. This fan is terminal type, warning signal output adopting yellow wire with the length 310mm which meet UL 1332#, 24AWG, 200°C standard) in the form.

KA I 7025/Mg SERIES

X-Flow (高風量) 172 × 150 × 51 mm



型號 Model	Part No. Terminal Leadwire	軸承類別 Bearing System	電壓 Rated Voltage(V)	頻率 Freq (Hz)	電流 Current (A)	功率 Input Power(W)	轉速 Speed (rpm)	風量 Air Flow (CFM)	靜壓 Static Pressure (inch-H ₂ O)	噪音值 Noise Level(dB-A)	重量 Weight (g)
KA17025XA(1)1-2/PC	17025XA(1)1BMT	Ball	110/120	50/60	0.40/0.46	60/65	2850/3300	254/268	0.52/0.65	62/65	860
	17025XA(1)1BMT(A)	Ball	110/120	50/60	0.40/0.46	60/65	2850/3300	254/268	0.52/0.65	62/65	860
KA17025XA(1)2-2/PC	17025XA(1)2BMT	Ball	220/240	50/60	0.26/0.28	60/65	2850/3300	254/268	0.52/0.65	62/65	860
	17025XA(1)2BMT(A)	Ball	220/240	50/60	0.26/0.28	60/65	2850/3300	254/268	0.52/0.65	62/65	860
KA17025XA(3)3-2/PC	17025XA(3)3BMT	Ball	380/400	50/60	0.13/0.16	60/65	2850/3300	254/268	0.52/0.65	62/65	860
	17025XA(3)3BMT(A)	Ball	380/400	50/60	0.13/0.16	60/65	2850/3300	254/268	0.52/0.65	62/65	860

說明: 1. 表中 (1) 代表單相

2. 表中 (A) 代表報警功能 (a. 報警功能採用無源觸點式 b. 此機型為端子式, 報警信號線長310mm, 採用符合UL1332#, 24AWG, 200°C之黃色線)

Note: 1. (1) represent single-phase

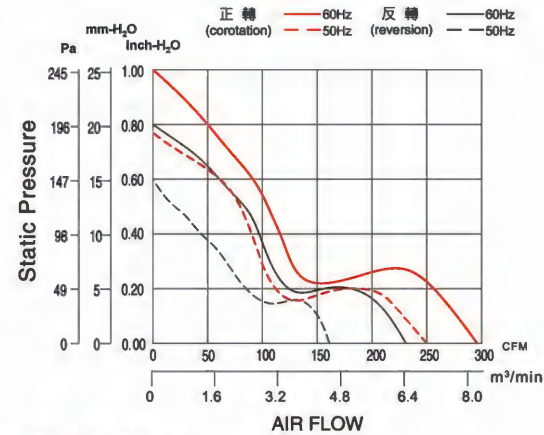
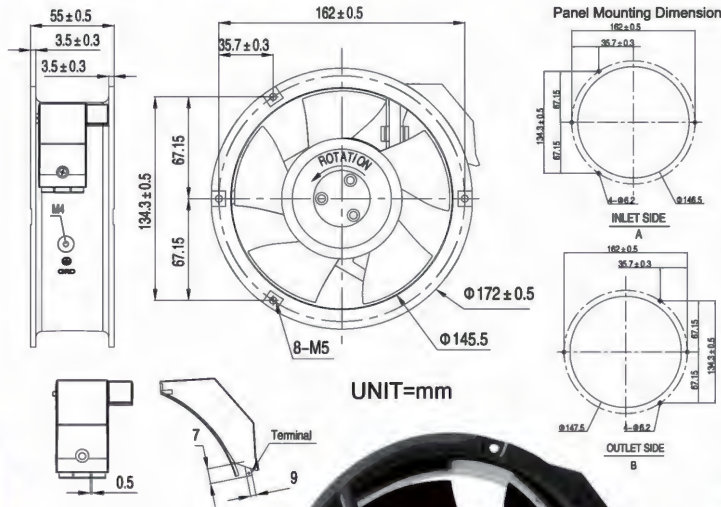
2. (A) represent the function of fan with warning signal output (a. This warning function adopt passive adherent point type; b. This fan is terminal type, warning signal output adopting yellow wire with the length 310mm which meet UL 1332#, 24AWG, 200°C standard) in the form.

KAI 725/5 IP55/Mg SERIES

 $\phi 172 \times 55\text{mm}$

KAI 725/5 IP55/Mg SERIES

24



型號 Model	Part No. Terminal Leadwire	軸承類別 Bearing System	電壓 Rated Voltage(V)	頻率 Freq (Hz)	電流 Current (A)	功率 Input Power(W)	轉速 Speed (rpm)	風量 Air Flow (CFM)	靜壓 Static Pressure (inch-H ₂ O)	噪音值 Noise Level(dB-A)	重量 Weight (g)
KAI725/5HA(1)1-2(IP55)/Mg	1725/5HA(1)1BMT(L)	Ball	110/120	50/60	0.32/0.30	31/34	2800/3300	250/297	0.77/1.00	60/64	1000
	1725/5HA(1)1BML(C)	Ball	110/120	50/60	0.32/0.30	31/34	2800/3300	250/297 160/230 正轉 反轉 (corotation) (reversion)	0.77/1.00 0.60/0.80 正轉 反轉 (corotation) (reversion)	60/64	1000
	1725/5HA(1)1BML(A)	Ball	110/120	50/60	0.32/0.30	31/34	2800/3300	250/297	0.77/1.00	60/64	1000
KAI725/5HA(1)2-2(IP55)/Mg	1725/5HA(1)2BMT(L)	Ball	220/240	50/60	0.12/0.14	25/31	2800/3300	250/297	0.77/1.00	60/64	1000
	1725/5HA(1)2BML(C)	Ball	220/240	50/60	0.12/0.14	25/31	2800/3300	250/297 160/230 正轉 反轉 (corotation) (reversion)	0.77/1.00 0.60/0.80 正轉 反轉 (corotation) (reversion)	60/64	1000
	1725/5HA(1)2BML(A)	Ball	220/240	50/60	0.12/0.14	25/31	2800/3300	250/297	0.77/1.00	60/64	1000
KAI725/5HA(3)3-2(IP55)/Mg	1725/5HA(3)3BML	Ball	380/400	50/60	0.09/0.09	29/32	2900/3400	250/297	0.77/1.00	60/64	1000
	1725/5HA(3)3BML(A)	Ball	380/400	50/60	0.09/0.09	29/32	2900/3400	250/297	0.77/1.00	60/64	1000

說明: 1. 表中 (1) 代表單相, (3) 代表三相

2. 表中 (C) 代表正反轉功能 (此機型為引線式, 線長310mm, 採用符合UL1332#, 24AWG, 200°C之黑色線, 引線為三線式 “□□□” □-□正轉, □-□反轉)

3. 表中 (A) 代表報警功能 (a. 報警功能採用無源觸點式 b. 此機型為端子式, 報警信號線長310mm, 採用符合UL1332#, 24AWG, 200°C之黃色線)

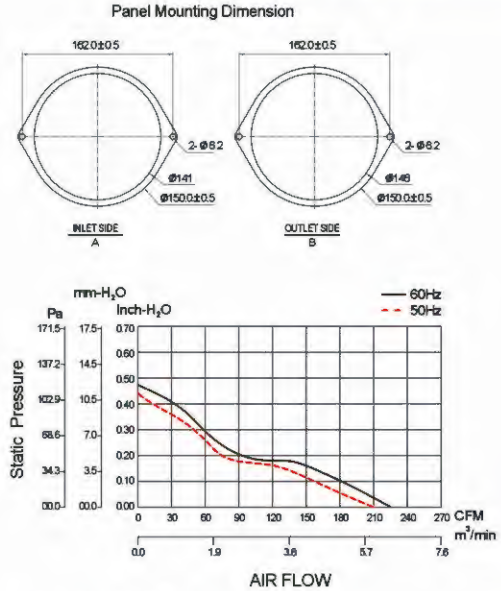
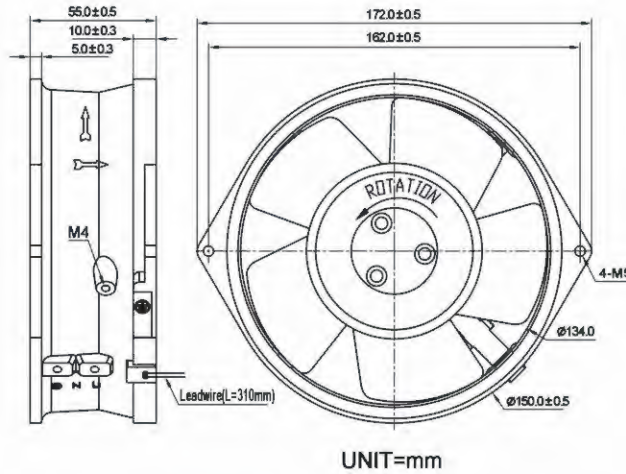
Note: 1. (1) represent single-phase, (3) represent triphase in the form.

2. (C) represent the function of corotation and rollback (this fan is lead wire style, adopting 3 black wires with each of the length 310mm which meet UL 1332#, 24AWG, 200°C standard “□□□” □-□ corotation □-□ reversion) in the form.

3. (A) represent the function of fan with warning signal output (a. This warning function adopt passive adherent point type; b. This fan is terminal type, warning signal output adopting yellow wire with the length 310mm which meet UL 1332#, 24AWG, 200°C standard) in the form.

KA1725/5[B] IP55/Mg SERIES

172 × 150 × 55mm



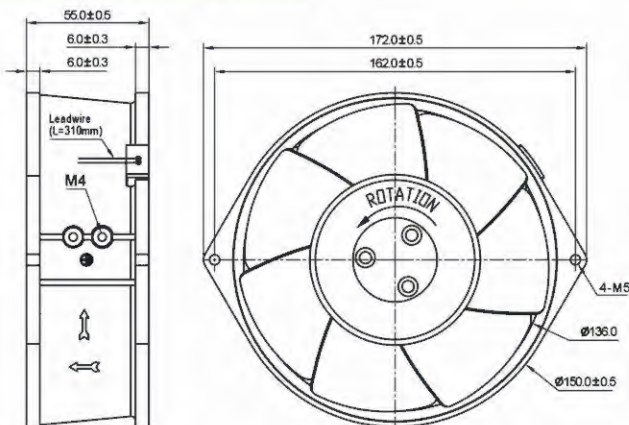
型號 Model	Part No. Terminal Leadwire	軸承類別 Bearing System	電壓 Rated Voltage(V)	頻率 Freq (Hz)	電流 Current (A)	功率 Input Power(W)	轉速 Speed (rpm)	風量 Air Flow (CFM)	靜壓 Static Pressure (inch-H ₂ O)	噪音值 Noise Level(dB-A)	重量 Weight (g)
KA1725/5[B]HA1-2(IP55)/Mg	KA1725/5[B]HA1BML	Ball	110/120	50/60	0.48/0.44	45/42	2600/2900	210/230	0.45/0.47	58/60	980
KA1725/5[B]HA2-2(IP55)/Mg	KA1725/5[B]HA2BML	Ball	220/240	50/60	0.28/0.25	45/42	2600/2900	210/230	0.45/0.47	58/60	980
KA1725/5[B]HA3-2(IP55)/Mg	KA1725/5[B]HA3BML	Ball	380/400	50/60	0.20/0.18	46/43	2600/2900	210/230	0.45/0.47	58/60	980

KA1725/5 □ IP55/Mg SERIES

172 × 150 × 55mm

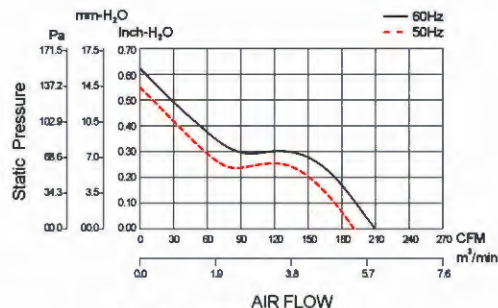
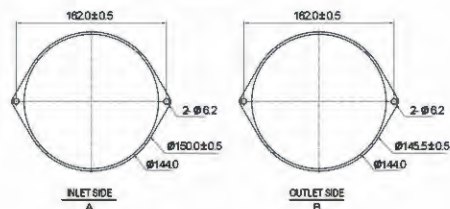
KA1725/5 □ IP55/Mg SERIES

26

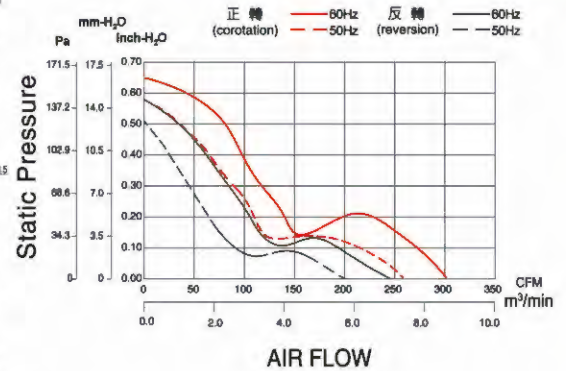
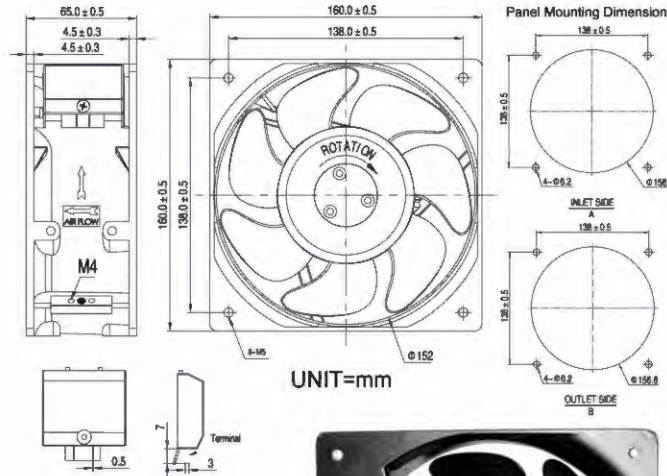


UNIT=mm

Panel Mounting Dimension



型號 Model	Part No. Terminal Leadwire	軸承類別 Bearing System	電壓 Rated Voltage(V)	頻率 Freq (Hz)	電流 Current (A)	功率 Input Power(W)	轉速 Speed (rpm)	風量 Air Flow (CFM)	靜壓 Static Pressure (inch-H ₂ O)	噪音值 Noise Level(dB-A)	重量 Weight (g)
KA1725/5 □ HA1-2(IP55)/Mg	KA1725/5 □ HA1BML	Ball	110/120	50/60	0.48/0.44	45/42	2600/2900	190/210	0.55/0.62	55/58	960
KA1725/5 □ HA2-2(IP55)/Mg	KA1725/5 □ HA2BML	Ball	220/240	50/60	0.28/0.25	45/42	2600/2900	190/210	0.55/0.62	55/58	960
KA1725/5 □ HA3-2(IP55)/Mg	KA1725/5 □ HA3BML	Ball	380/400	50/60	0.20/0.18	46/43	2600/2900	190/210	0.55/0.62	55/58	960



型號 Model	Part No. Terminal Leadwire	軸承類別 Bearing System	電壓 Rated Voltage(V)	頻率 Freq (Hz)	電流 Current (A)	功率 Input Power(W)	轉速 Speed (rpm)	風量 Air Flow (CFM)	靜壓 Static Pressure (inch-H ₂ O)	噪音值 Noise Level(dB-A)	重量 Weight (g)
KA1606HA(1)-2/Mg	1606HA(1)1BMT(L)	Ball	110/120	50/60	0.31/0.31	32/36	2800/3300	259/302	0.58/0.65	59/63	1130
	1606HA(1)1BML(C)	Ball	110/120	50/60	0.31/0.31	32/36	2800/3300	259/302 200/240 正轉 反轉 (corotation) (reversion)	0.58/0.65 0.51/0.58 正轉 反轉 (corotation) (reversion)	59/63	1130
KA1606HA(1)-2/Mg	1606HA(1)1BML(A)	Ball	110/120	50/60	0.31/0.31	32/36	2800/3300	259/302	0.58/0.65	59/63	1130
	1606HA(1)2BMT(L)	Ball	220/240	50/60	0.12/0.14	27/33	2800/3300	259/302	0.58/0.65	59/63	1130
KA1606HA(1)-2/Mg	1606HA(1)2BML(C)	Ball	220/240	50/60	0.12/0.14	27/33	2800/3300	259/302 200/240 正轉 反轉 (corotation) (reversion)	0.58/0.65 0.51/0.58 正轉 反轉 (corotation) (reversion)	59/63	1130
	1606HA(1)2BML(A)	Ball	220/240	50/60	0.12/0.14	27/33	2800/3300	259/302	0.58/0.65	59/63	1130
KA1606HA(3)-2/Mg	1606HA(3)3BML	Ball	380/400	50/60	0.08/0.09	29/33	2800/3300	259/302	0.58/0.65	59/63	1130
	1606HA(3)3BML(A)	Ball	380/400	50/60	0.08/0.09	29/33	2800/3300	259/302	0.58/0.65	59/63	1130

說明: 1. 表中 (1) 代表單相, (3) 代表三相

2. 表中 (C) 代表正反轉功能 (此機型為引線式, 線長310mm, 採用符合UL1332#, 24AWG, 200°C之黑色線, 引線為三線式“□□□”□-□正轉, □-□反轉)

3. 表中 (A) 代表報警功能 (a 報警功能採用無源觸點式 b. 此機型為端子式, 報警信號線長310mm, 採用符合UL1332#, 24AWG, 200°C之黃色線)

Note: 1. (1) represent single-phase, (3) represent triphase in the form.

2. (C) represent the function of corotation and rollback (this fan is lead wire style, adopting 3 black wires with each of the length 310mm which meet UL 1332#, 24AWG, 200°C standard “□□□” □-□ corotation □-□ reversion) in the form.

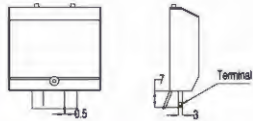
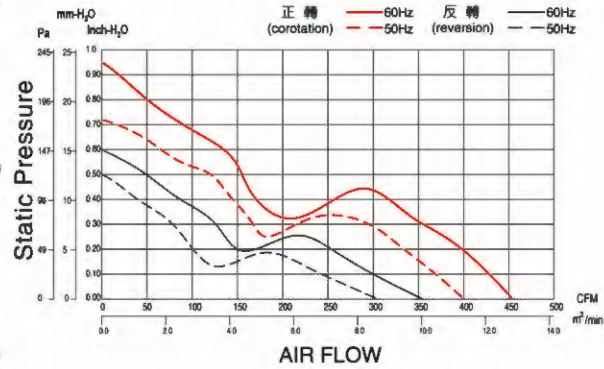
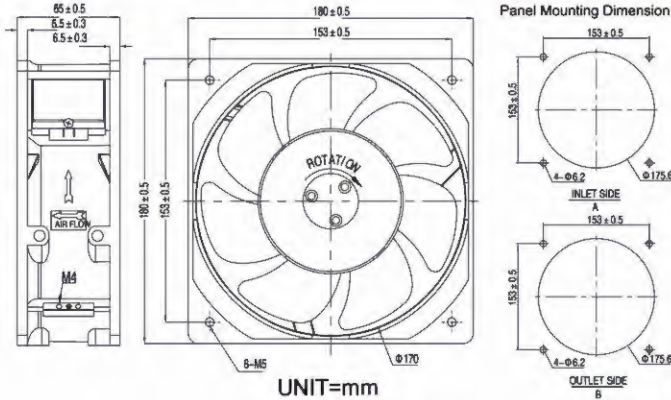
3. (A) represent the function of fan with warning signal output (a. This warning function adopt passive adherent point type; b. This fan is terminal type, warning signal output adopting yellow wire with the length 310mm which meet UL 1332#, 24AWG, 200°C standard) in the form.

KA1806/Mg SERIES

180 × 180 × 65mm

KA1806/Mg SERIES

28



型號 Model	Part No. Terminal Leadwire	軸承類別 Bearing System	電壓 Rated Voltage(V)	頻率 Freq (Hz)	電流 Current (A)	功率 Input Power(W)	轉速 Speed (rpm)	風量 Air Flow (CFM)	靜壓 Static Pressure (inch-H ₂ O)	噪音值 Noise Level(dB-A)	重量 Weight (g)
KA1806HA(1)1-2/Mg	1806HA(1)1BMT(L)	Ball	110/120	50/60	0.53/0.51	56/58	2800/3200	399/458	0.72/0.95	61/65	1450
	1806HA(1)1BML(C)	Ball	110/120	50/60	0.53/0.51	56/58	2800/3200	399/458 310/360 (corotation) (reversion)	0.72/0.95 0.50/0.60 (corotation) (reversion)	61/65	1450
	1806HA(1)1BML(A)	Ball	110/120	50/60	0.53/0.51	56/58	2800/3200	399/458	0.72/0.95	61/65	1450
KA1806HA(1)2-2/Mg	1806HA(1)2BMT(L)	Ball	220/240	50/60	0.26/0.25	55/56	2800/3200	399/458	0.72/0.95	61/65	1450
	1806HA(1)2BML(C)	Ball	220/240	50/60	0.26/0.25	55/56	2800/3200	399/458 310/360 (corotation) (reversion)	0.72/0.95 0.50/0.60 (corotation) (reversion)	61/65	1450
	1806HA(1)2BML(A)	Ball	220/240	50/60	0.26/0.25	55/56	2800/3200	399/458	0.72/0.95	61/65	1450
KA1806HA(3)3-2/Mg	1806HA(3)3BML	Ball	380/440	50/60	0.12/0.11	50/57	2800/3200	399/458	0.72/0.95	61/65	1450
	1806HA(3)3BML(A)	Ball	380/440	50/60	0.12/0.11	50/57	2800/3200	399/458	0.72/0.95	61/65	1450

說明: 1. 表中 (1) 代表單相, (3) 代表三相

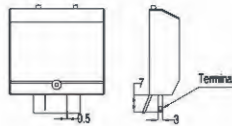
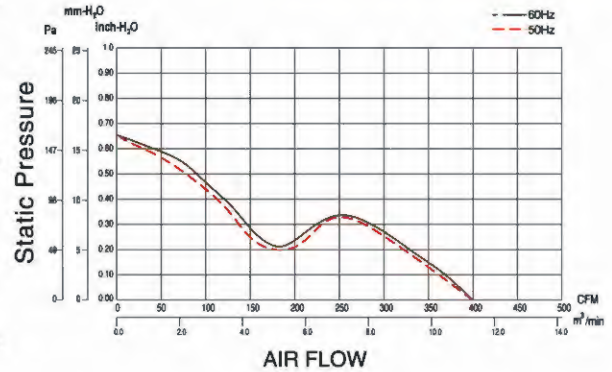
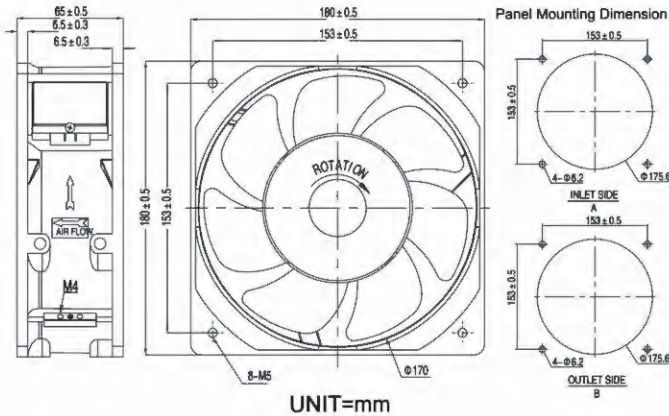
2. 表中 (C) 代表正反转功能 (此機型為引線式, 線長310mm, 採用符合UL1332#, 24AWG, 200°C之黑色線, 引線為三線式 "□□1□2" □-1正轉, □-2反轉)

3. 表中 (A) 代表報警功能 (a. 報警功能採用無源觸點式 b. 此機型為端子式, 報警信號線長310mm, 採用符合UL1332#, 24AWG, 200°C之黃色線)

Note: 1. (1) represent single-phase, (3) represent triphase in the form.

2. (C) represent the function of corotation and rollback (this fan is lead wire style, adopting 3 black wires with each of the length 310mm which meet UL 1332#, 24AWG, 200°C standard "□□1□2" □-1 corotation □-2 reversion) in the form.

3. (A) represent the function of fan with warning signal output (a. This warning function adopt passive adherent point type; b. This fan is terminal type, warning signal output adopting yellow wire with the length 310mm which meet UL 1332#, 24AWG, 200°C standard) in the form.



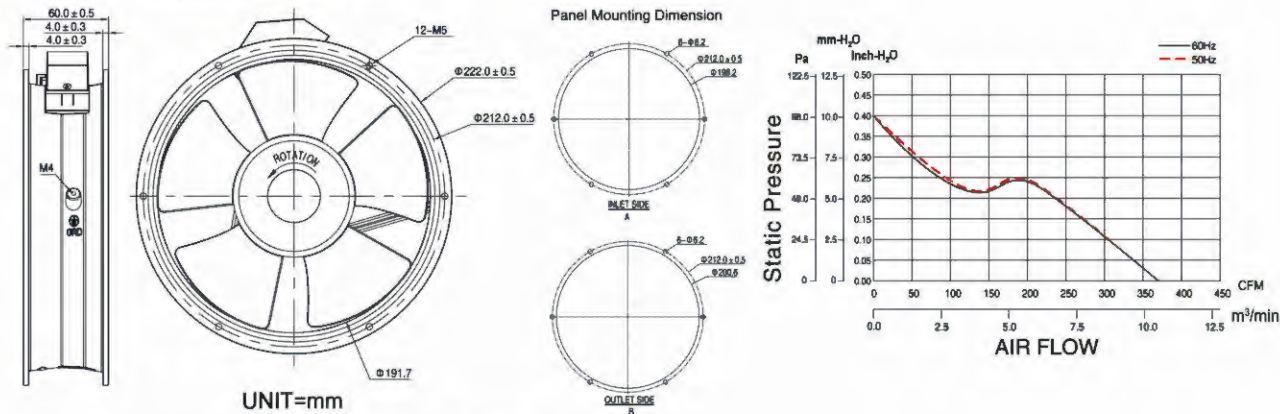
型號 Model	Part No. Terminal Leadwire	軸承類別 Bearing System	電壓 Rated Voltage(V)	頻率 Freq (Hz)	電流 Current (A)	功率 Input Power(W)	轉速 Speed (rpm)	風量 Air Flow (CFM)	靜壓 Static Pressure (inch-H ₂ O)	噪音值 Noise Level(dB-A)	重量 Weight (g)
KA1806HA1-2/Mg	1806HA1BMT(L)	Ball	110/120	50/60	1.21/1.05	71/70	2600/2600	380/380	0.65/0.65	60/60	1450
KA1806HA2-2/Mg	1806HA2BMT(L)	Ball	220/240	50/60	0.59/0.52	70/69	2600/2600	380/380	0.65/0.65	60/60	1450
KA1806HA3-2/Mg	1806HA3BMT(L)	Ball	380/400	50/60	0.36/0.31	71/70	2600/2600	380/380	0.65/0.65	60/60	1450

KA2206/Mg SERIES

Ø222 × 60mm

KA2206/Mg SERIES

30



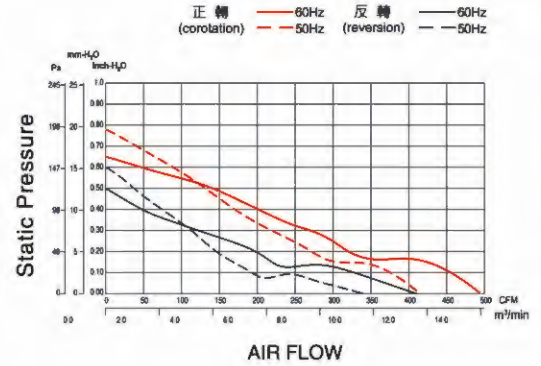
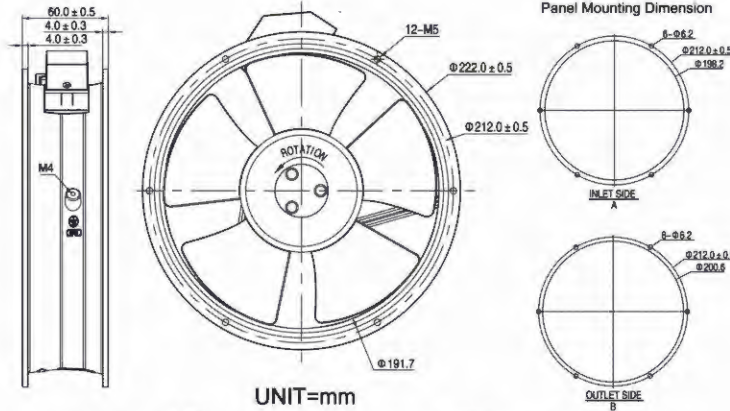
型號 Model	Part No. Terminal Leadwire	軸承類別 Bearing System	電壓 Rated Voltage(V)	頻率 Freq (Hz)	電流 Current (A)	功率 Input Power(W)	轉速 Speed (rpm)	風量 Air Flow (CFM)	靜壓 Static Pressure (inch-H ₂ O)	噪音值 Noise Level(dB-A)	重量 Weight (g)
KA2206HA1-2/Mg	2206HA1BMT(L)	Ball	110/120	50/60	0.80/0.70	53/53	2500/2500	360/360	0.40/0.40	59/59	1310
	2206HA1BML(A)	Ball	110/120	50/60	0.80/0.70	53/53	2500/2500	360/360	0.40/0.40	59/59	1310
KA2206HA2-2/Mg	2206HA2BMT(L)	Ball	220/240	50/60	0.29/0.27	53/53	2500/2500	360/360	0.40/0.40	59/59	1310
	2206HA2BML(A)	Ball	220/240	50/60	0.29/0.27	53/53	2500/2500	360/360	0.40/0.40	59/59	1310
KA2206HA3-2/Mg	2206HA3BML	Ball	380/400	50/60	0.15/0.15	53/53	2500/2500	360/360	0.40/0.40	59/59	1310
	2206HA3BML(A)	Ball	380/400	50/60	0.15/0.15	53/53	2500/2500	360/360	0.40/0.40	59/59	1310

說明: 1. 表中 (A) 代表報警功能 (a. 報警功能採用無源觸點式 b. 此機型為端子式, 報警信號線長310mm, 採用符合UL1332#, 24AWG, 200°C之黃色線)

Note: 1. (A) represent the function of fan with warning signal output (a. This warning function adopt passive adherent point type; b. This fan is terminal type, warning signal output adopting yellow wire with the length 310mm which meet UL 1332#, 24AWG, 200°C standard) in the form.

KA2206 IP55/Mg SERIES

ø222 × 60mm



型號 Model	Part No. Terminal Leadwire	軸承類別 Bearing System	電壓 Rated Voltage(V)	頻率 Freq (Hz)	電流 Current (A)	功率 Input Power(W)	轉速 Speed (rpm)	風量 Air Flow (CFM)	靜壓 Static Pressure (inch-H ₂ O)	噪音值 Noise Level(dB-A)	重量 Weight (g)
KA2206HA(1)1-2(IP55)/Mg	2206HA(1)1BMT(L)	Ball	110/120	50/60	0.35/0.43	40/48	2800/3300	427/490	0.78/0.65	63/68	1220
	2206HA(1)1BML(C)	Ball	110/120	50/60	0.35/0.43	40/48	2800/3300	427/490 340/410 正轉 反轉 (corotation) (reversion)	0.78/0.65 0.50/0.60 (正轉) (reversion)	63/68	1220
	2206HA(1)1BML(A)	Ball	110/120	50/60	0.35/0.43	40/48	2800/3300	427/490	0.78/0.65	63/68	1220
KA2206HA(1)2-2(IP55)/Mg	2206HA(1)2BMT(L)	Ball	220/240	50/60	0.18/0.25	40/53	2800/3300	427/490	0.78/0.65	63/68	1220
	2206HA(1)2BML(C)	Ball	220/240	50/60	0.18/0.25	40/53	2800/3300	427/490 340/410 正轉 反轉 (corotation) (reversion)	0.78/0.65 0.50/0.60 (正轉) (reversion)	63/68	1220
	2206HA(1)2BML(A)	Ball	220/240	50/60	0.18/0.25	40/53	2800/3300	427/490	0.78/0.65	63/68	1220
KA2206HA(3)3-2(IP55)/Mg	2206HA(3)3BML	Ball	380/400	50/60	0.08/0.09	42/55	2800/3300	427/490	0.78/0.65	63/68	1220
	2206HA(3)3BML(A)	Ball	380/400	50/60	0.08/0.09	42/55	2800/3300	427/490	0.78/0.65	63/68	1220

說明: 1. 表中 (1) 代表單相, (3) 代表三相

2. 表中 (C) 代表正反轉功能 (此機型為引線式, 線長310mm, 採用符合UL1332#, 24AWG, 200°C之黑色線, 引線為三線式 "□□□" □-□正轉, □-□反轉)

3. 表中 (A) 代表報警功能 (a. 報警功能採用無源觸點式 b. 此機型為端子式, 報警信號線長310mm, 採用符合UL1332#, 24AWG, 200°C之黃色線)

Note: 1. (1) represent single-phase, (3) represent triphase in the form.

2. (C) represent the function of corotation and rollback (this fan is lead wire style, adopting 3 black wires with each of the length 310mm which meet UL 1332#, 24AWG, 200°C standard "□□□" □-□ corotation □-□ reversion) in the form.

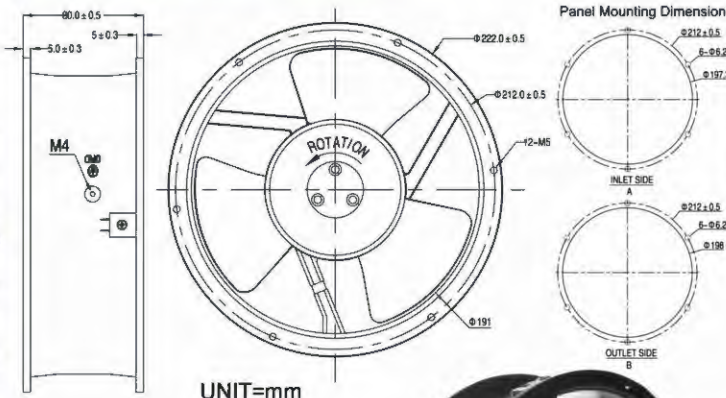
3. (A) represent the function of fan with warning signal output (a. This warning function adopt passive adherent point type; b. This fan is terminal type, warning signal output adopting yellow wire with the length 310mm which meet UL 1332#, 24AWG, 200°C standard) in the form.

KA2208 4P/Mg SERIES

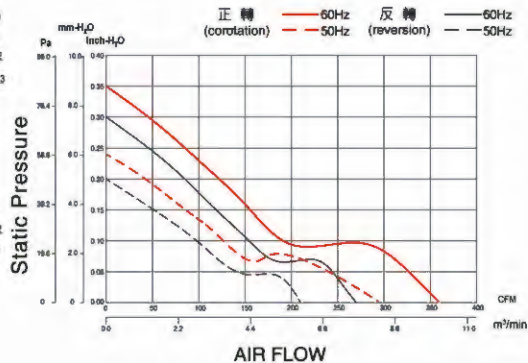
Ø222 × 80mm

KA2208 4P/Mg SERIES

32



UNIT=mm



型號 Model	Part No. Terminal Leadwire	軸承類別 Bearing System	電壓 Rated Voltage(V)	頻率 Freq (Hz)	電流 Current (A)	功率 Input Power(W)	轉速 Speed (rpm)	風量 Air Flow (CFM)	靜壓 Static Pressure (inch-H ₂ O)	噪音值 Noise Level(dB-A)	重量 Weight (g)
KA2208HA(1)1-4/Mg	2208HA(1)1BMT(L)	Ball	110/120	50/60	0.63/0.60	39/36	1400/1700	296/358	0.24/0.35	53/56	1430
	2208HA(1)1BML(C)	Ball	110/120	50/60	0.28/0.24	28/27	1400/1700	296/358 210/270 (corotation) (reversion)	0.24/0.35 0.20/0.30 (corotation) (reversion)	53/56	1550
	2208HA(1)1BML(A)	Ball	110/120	50/60	0.63/0.60	39/36	1400/1700	296/358	0.24/0.35	53/56	1430
KA2208HA(1)2-4/Mg	2208HA(1)2BMT(L)	Ball	220/240	50/60	0.30/0.26	38/35	1400/1700	296/358	0.24/0.35	53/56	1430
	2208HA(1)2BML(C)	Ball	220/240	50/60	0.15/0.13	27/31	1400/1700	296/358 210/270 (corotation) (reversion)	0.24/0.35 0.20/0.30 (corotation) (reversion)	53/56	1550
	2208HA(1)2BML(A)	Ball	220/240	50/60	0.30/0.26	38/35	1400/1700	296/358	0.24/0.35	53/56	1430
KA2208HA(1)3-4/Mg	2208HA(1)3BMT(L)	Ball	380/400	50/60	0.19/0.17	39/36	1400/1700	296/358	0.24/0.35	53/56	1430
	2208HA(1)3BML(A)	Ball	380/400	50/60	0.19/0.17	39/36	1400/1700	296/358	0.24/0.35	53/56	1430
KA2208HA(3)3-4/Mg	2208HA(3)3BML	Ball	380/400	50/60	0.08/0.07	30/29	1400/1700	296/358	0.24/0.35	53/56	1550
	2208HA(3)3BML(A)	Ball	380/400	50/60	0.08/0.07	30/29	1400/1700	296/358	0.24/0.35	53/56	1550

說明: 1. 表中 (1) 代表單相, (3) 代表三相

2. 表中 (C) 代表正反轉功能 (此機型為引線式, 線長310mm, 採用符合UL1332#, 24AWG, 200°C之黑色線, 引線為三線式 "□□□" □-□正轉, □-□反轉)

3. 表中 (A) 代表報警功能 (a. 報警功能採用無源觸點式, b. 此機型為端子式, 報警信號線長310mm, 採用符合UL1332#, 24AWG, 200°C之黃色線)

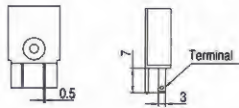
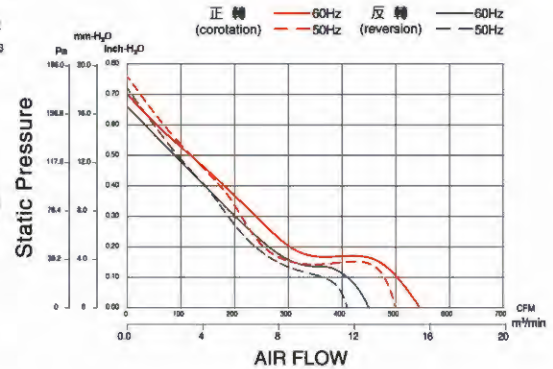
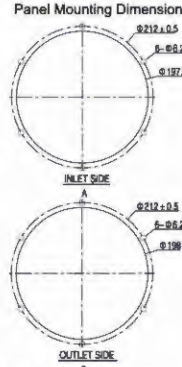
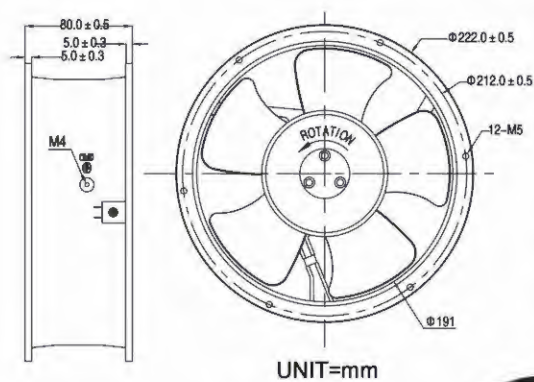
Note: 1. (1) represent single-phase, (3) represent triphase in the form.

2. (C) represent the function of corotation and rollback (this fan is lead wire style, adopting 3 black wires with each of the length 310mm which meet UL 1332#, 24AWG, 200°C standard "□□□" □-□ corotation □-□ reversion) in the form.

3. (A) represent the function of fan with warning signal output (a. This warning function adopt passive adherent point type; b. This fan is terminal type, warning signal output adopting yellow wire with the length 310mm which meet UL 1332#, 24AWG, 200°C standard) in the form.

KA2208 2P/Mg SERIES

ø222 × 80mm



型號 Model	Part No. Terminal Leadwire	軸承類別 Bearing System	電壓 Rated Voltage(V)	頻率 Freq (Hz)	電流 Current (A)	功率 Input Power(W)	轉速 Speed (rpm)	風量 Air Flow (CFM)	靜壓 Static Pressure (inch-H ₂ O)	噪音值 Noise Level(dB-A)	重量 Weight (g)
KA2208HA(1)1-2/Mg	2208HA(1)1BMT(L)	Ball	110/120	50/60	0.50/0.60	54/67	2500/2600	500/545	0.76/0.70	67/68	1600
	2208HA(1)1BML(C)	Ball	110/120	50/60	0.50/0.60	54/67	2500/2600	500/545 410/450 正轉 反轉 (corotation) (reversion)	0.76/0.70 0.72/0.66 (正轉) (reversion)	67/68	1600
	2208HA(1)1BML(A)	Ball	110/120	50/60	0.50/0.60	54/67	2500/2600	500/545	0.76/0.70	67/68	1600
KA2208HA(1)2-2/Mg	2208HA(1)2BMT(L)	Ball	220/240	50/60	0.22/0.29	49/64	2500/2600	500/545	0.76/0.70	67/68	1600
	2208HA(1)2BML(C)	Ball	220/240	50/60	0.22/0.29	49/64	2500/2600	500/545 410/450 正轉 反轉 (corotation) (reversion)	0.76/0.70 0.72/0.66 (正轉) (reversion)	67/68	1600
	2208HA(1)2BML(A)	Ball	220/240	50/60	0.22/0.29	49/64	2500/2600	500/545	0.76/0.70	67/68	1600
KA2208HA(3)3-2/Mg	2208HA(3)3BML	Ball	380/400	50/60	0.13/0.13	49/64	2500/2600	500/545	0.76/0.70	67/68	1600
	2208HA(3)3BML(A)	Ball	380/400	50/60	0.13/0.13	49/64	2500/2600	500/545	0.76/0.70	67/68	1600

說明: 1. 表中 (1) 代表單相, (3) 代表三相

2. 表中 (C) 代表正反轉功能 (此機型為引線式, 線長310mm, 採用符合UL1332#, 24AWG, 200°C之黑色線, 引線為三線式 "□□□" □-□正轉, □-□反轉)

3. 表中 (A) 代表報警功能 (a. 報警功能採用無源觸點式 b. 此機型為端子式, 報警信號線長310mm, 採用符合UL1332#, 24AWG, 200°C之黃色線)

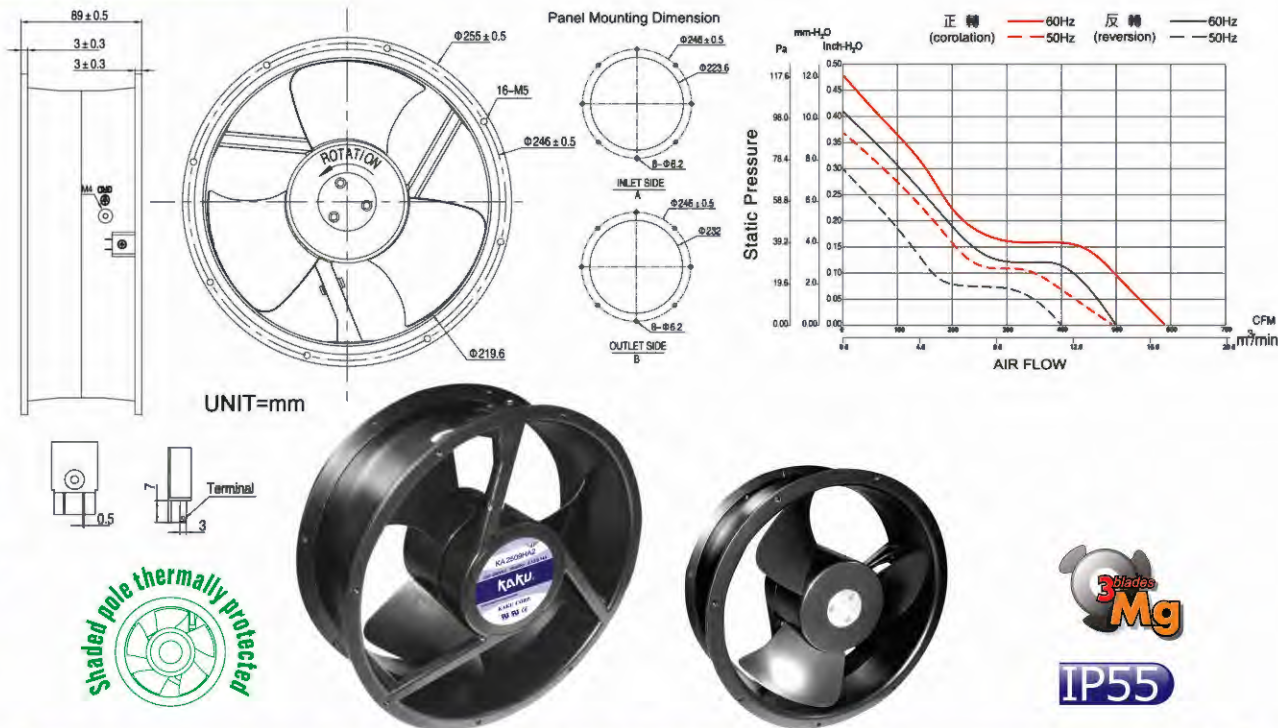
Note: 1. (1) represent single-phase, (3) represent triphase in the form.

2. (C) represent the function of corotation and rollback (this fan is lead wire style, adopting 3 black wires with each of the length 310mm which meet UL 1332#, 24AWG, 200°C standard "□□□" □-□ corotation □-□ reversion) in the form.

3. (A) represent the function of fan with warning signal output (a. This warning function adopt passive adherent point type; b. This fan is terminal type, warning signal output adopting yellow wire with the length 310mm which meet UL 1332#, 24AWG, 200°C standard) in the form.

KA2509 4P IP55/Mg SERIES

Ø254 × 89mm



型號 Model	Part No. Terminal Leadwire	軸承類別 Bearing System	電壓 Rated Voltage(V)	頻率 Freq (Hz)	電流 Current (A)	功率 Input Power(W)	轉速 Speed (rpm)	風量 Air Flow (CFM)	靜壓 Static Pressure (inch-H ₂ O)	噪音值 Noise Level(dB-A)	重量 Weight (g)
KA2509HA(1)1-4(IP55)/Mg	2509HA(1)1BMT(L)	Ball	110/120	50/60	0.65/0.60	43/44	1400/1700	495/589	0.37/0.48	53/56	1680
	2509HA(1)1BML(C)	Ball	110/120	50/60	0.25/0.23	27/31	1400/1700	495/589 400/500 (corotation) (reversion)	0.37/0.48 0.30/0.41 (corotation) (reversion)	53/56	1910
KA2509HA(1)2-4(IP55)/Mg	2509HA(1)1BML(A)	Ball	110/120	50/60	0.65/0.60	43/44	1400/1700	495/589	0.37/0.48	53/56	1680
	2509HA(1)2BMT(L)	Ball	220/240	50/60	0.31/0.29	43/44	1400/1700	495/589	0.37/0.48	53/56	1680
KA2509HA(1)3-4(IP55)/Mg	2509HA(1)2BML(C)	Ball	220/240	50/60	0.13/0.12	27/31	1400/1700	495/589 400/500 (corotation) (reversion)	0.37/0.48 0.30/0.41 (corotation) (reversion)	53/56	1910
	2509HA(1)2BML(A)	Ball	220/240	50/60	0.31/0.29	43/44	1400/1700	495/589	0.37/0.48	53/56	1680
KA2509HA(1)3-4(IP55)/Mg	2509HA(1)3BMT(L)	Ball	380/400	50/60	0.20/0.18	43/44	1400/1700	495/589	0.37/0.48	53/56	1680
	2509HA(1)3BML(A)	Ball	380/400	50/60	0.20/0.18	43/44	1400/1700	495/589	0.37/0.48	53/56	1680
KA2509HA(3)3-4(IP55)/Mg	2509HA(3)3BML	Ball	380/400	50/60	0.09/0.07	30/29	1400/1700	495/589	0.37/0.48	53/56	1910
	2509HA(3)3BML(A)	Ball	380/400	50/60	0.09/0.07	30/29	1400/1700	495/589	0.37/0.48	53/56	1910

說明: 1. 表中 (1) 代表單相, (3) 代表三相

2. 表中 (C) 代表正反轉功能 (此機型為引線式, 線長310mm, 採用符合UL1332#, 24AWG, 200°C之黑色線, 引線為三線式 "□□□" □-□正轉, □-□反轉)

3. 表中 (A) 代表報警功能 (a. 報警功能採用無源觸點式, b. 此機型為端子式, 報警信號線長310mm, 採用符合UL1332#, 24AWG, 200°C之黃色線)

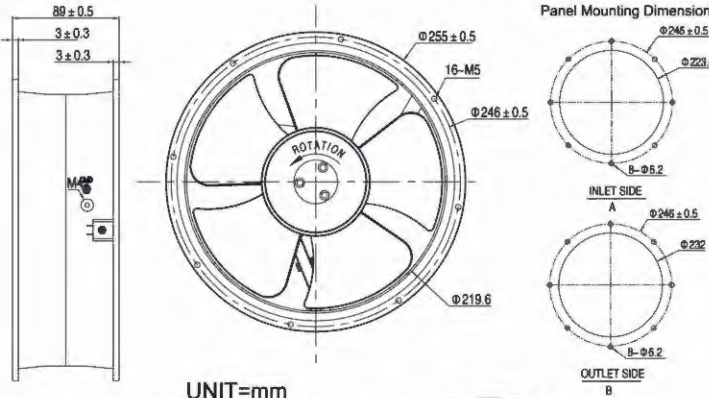
Note: 1. (1) represent single-phase, (3) represent triphase in the form.

2. (C) represent the function of corotation and rollback (this fan is lead wire style, adopting 3 black wires with each of the length 310mm which meet UL 1332#, 24AWG, 200°C standard "□□□" □-□ corotation □-□ reversion) in the form.

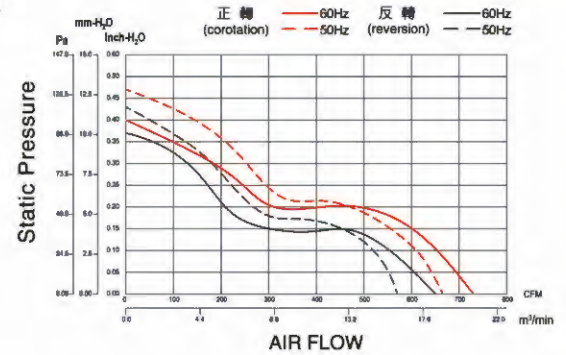
3. (A) represent the function of fan with warning signal output (a. This warning function adopt passive adherent point type; b. This fan is terminal type, warning signal output adopting yellow wire with the length 310mm which meet UL 1332#, 24AWG, 200°C standard) in the form.

KA2509 2P IP55/Mg SERIES

Ø254 × 89mm



UNIT=mm



型號 Model	Part No. Terminal Leadwire	軸承類別 Bearing System	電壓 Rated Voltage(V)	頻率 Freq (Hz)	電流 Current (A)	功率 Input Power(W)	轉速 Speed (rpm)	風量 Air Flow (CFM)	靜壓 Static Pressure (inch-H ₂ O)	噪音值 Noise Level(dB-A)	重量 Weight (g)
KA2509HA(1)1-2(IP55)/Mg	2509HA(1)1BMT(L)	Ball	110/120	50/60	0.45/0.56	50/63	2500/2600	666/730	0.47/0.40	66/67	1940
	2509HA(1)1BML(C)	Ball	110/120	50/60	0.45/0.56	50/63	2500/2600	666/730 570/650 正轉 (corotation) 反轉 (reversion)	0.47/0.40 0.43/0.37 正轉 (corotation) 反轉 (reversion)	66/67	1940
	2509HA(1)1BML(A)	Ball	110/120	50/60	0.45/0.56	50/63	2500/2600	666/730	0.47/0.40	66/67	1940
KA2509HA(1)2-2(IP55)/Mg	2509HA(1)2BMT(L)	Ball	220/240	50/60	0.22/0.28	50/64	2500/2600	666/730	0.47/0.40	66/67	1940
	2509HA(1)2BML(C)	Ball	220/240	50/60	0.22/0.28	50/64	2500/2600	666/730 570/650 正轉 (corotation) 反轉 (reversion)	0.47/0.40 0.43/0.37 正轉 (corotation) 反轉 (reversion)	66/67	1940
	2509HA(1)2BML(A)	Ball	220/240	50/60	0.22/0.28	50/64	2500/2600	666/730	0.47/0.40	66/67	1940
KA2509HA(3)3-2(IP55)/Mg	2509HA(3)3BML	Ball	380/400	50/60	0.14/0.14	50/63	2500/2600	666/730	0.47/0.40	66/67	1940
	2509HA(3)3BML(A)	Ball	380/400	50/60	0.14/0.14	50/63	2500/2600	666/730	0.47/0.40	66/67	1940

說明: 1. 表中 (1) 代表單相, (3) 代表三相

2. 表中 (C) 代表正反轉功能 (此機型為引線式, 線長310mm, 採用符合UL1332#, 24AWG, 200°C之黑色線, 引線為三線式 "回回回" 回-回正轉, 回-回反轉)

3. 表中 (A) 代表警告功能 (a. 警告功能採用無源觸點式 b. 此機型為端子式, 報警信號線長310mm, 採用符合UL1332#, 24AWG, 200°C之黃色線)

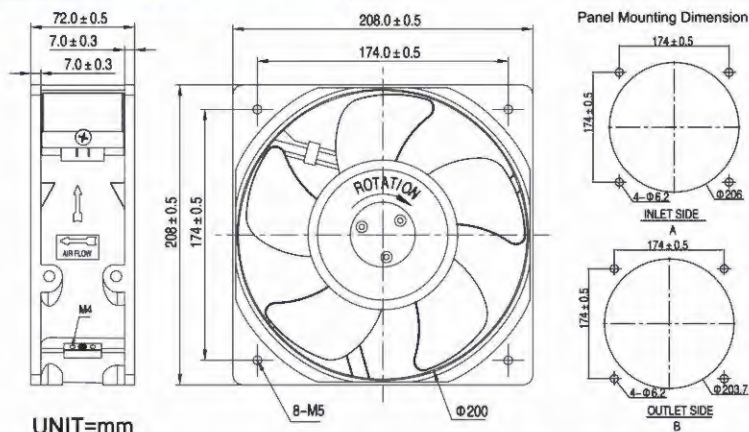
Note: 1. (1) represent single-phase, (3) represent triphase in the form.

2. (C) represent the function of corotation and rollback (this fan is lead wire style, adopting 3 black wires with each of the length 310mm which meet UL 1332#, 24AWG, 200°C standard "回回回" 回-回 corotation 回-回 reversion) in the form.

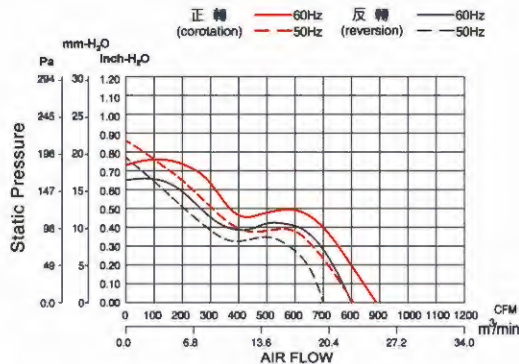
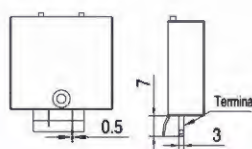
3. (A) represent the function of fan with warning signal output (a. This warning function adopt passive adherent point type; b. This fan is terminal type, warning signal output adopting yellow wire with the length 310mm which meet UL 1332#, 24AWG, 200°C standard) in the form.

KA2072/PC SERIES

208 × 208 × 72mm



UNIT=mm



型號 Model	Part No. Terminal Leadwire	軸承類別 Bearing System	電壓 Rated Voltage(V)	頻率 Freq (Hz)	電流 Current (A)	功率 Input Power(W)	轉速 Speed (rpm)	風量 Air Flow (CFM)	靜壓 Static Pressure (inch-H ₂ O)	噪音值 Noise Level(dB-A)	重量 Weight (g)
KA2072HA(1)1-2/PC	2072HA(1)1BMT(L)	Ball	110/120	50/60	0.65/0.85	68/97	2900/3300	808/888	0.86/0.73	69/72	2110
	2072HA(1)1BML(C)	Ball	110/120	50/60	0.65/0.85	68/97	2900/3300	808/888 700/800 正轉 反轉 (corotation) (reversion)	0.86/0.73 0.77/0.65 正轉 反轉 (corotation) (reversion)	69/72	2110
	2072HA(1)1BML(A)	Ball	110/120	50/60	0.65/0.85	68/97	2900/3300	808/888	0.86/0.73	69/72	2110
KA2072HA(1)2-2/PC	2072HA(1)2BMT(L)	Ball	220/240	50/60	0.34/0.43	68/97	2900/3300	808/888	0.86/0.73	69/72	2110
	2072HA(1)2BML(C)	Ball	220/240	50/60	0.34/0.43	68/97	2900/3300	808/888 700/800 正轉 反轉 (corotation) (reversion)	0.86/0.73 0.77/0.65 正轉 反轉 (corotation) (reversion)	69/72	2110
	2072HA(1)2BML(A)	Ball	220/240	50/60	0.34/0.43	68/97	2900/3300	808/888	0.86/0.73	69/72	2110
KA2072HA(3)3-2/PC	2072HA(3)3BML	Ball	380/400	50/60	0.13/0.13	68/97	2900/3300	808/888	0.86/0.73	69/72	2110
	2072HA(3)3BML(A)	Ball	380/400	50/60	0.13/0.13	68/97	2900/3300	808/888	0.86/0.73	69/72	2110

說明: 1. 表中 (1) 代表單相, (3) 代表三相

2. 表中 (C) 代表正反轉功能 (此機型為引線式, 線長310mm, 採用符合UL1332#, 24AWG, 200°C之黑色線, 引線為三線式 "□□□" □-□正轉, □-□反轉)

3. 表中 (A) 代表報警功能 (a. 報警功能採用無源觸點式, 報警信號線長310mm, 採用符合UL1332#, 24AWG, 200°C之黃色線)

Note: 1. (1) represent single-phase, (3) represent triphase in the form.

2. (C) represent the function of corotation and rollback (this fan is lead wire style, adopting 3 black wires with each of the length 310mm which meet UL 1332#, 24AWG, 200°C standard "□□□" □-□ corotation □-□ reversion) in the form.

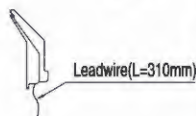
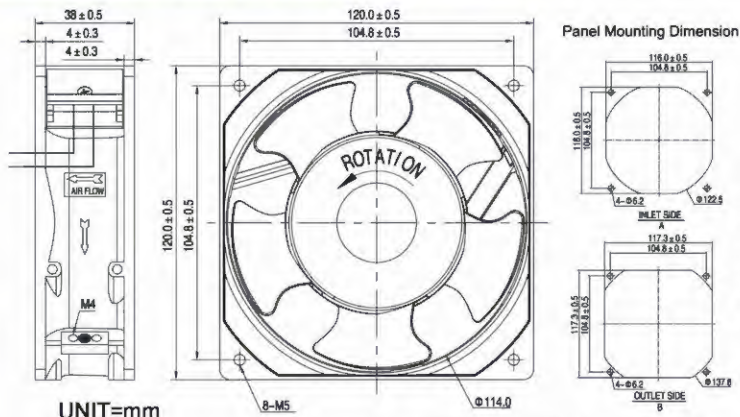
3. (A) represent the function of fan with warning signal output (a. This warning function adopt passive adherent point type; b. This fan is terminal type, warning signal output adopting yellow wire with the length 310mm which meet UL 1332#, 24AWG, 200°C standard) in the form.

KA1238 H.T.R. SERIES

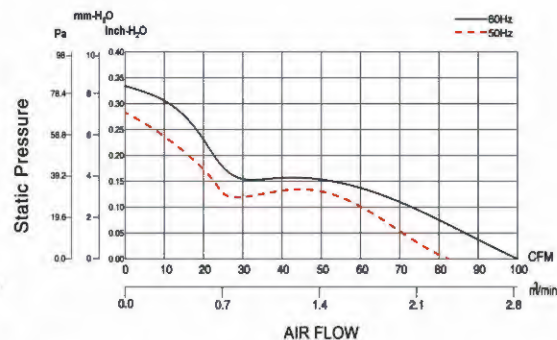
120×120×38mm H.T.R. (耐高溫)

KA1238 H.T.R. SERIES
H.T.R. (耐高溫)

38



IP55



KA1238 H.T.R.100 耐高溫

專為100°C環境溫度下設計 Special design for environmental of 100°C

型號 Model	Part No. Terminal Leadwire	軸承類別 Bearing System	電壓 Rated Voltage(V)	頻率 Freq (Hz)	電流 Current (A)	功率 Input Power(W)	轉速 Speed (rpm)	風量 Air Flow (CFM)	靜壓 Static Pressure (inch-H ₂ O)	噪音值 Noise Level(dB-A)	重量 Weight (g)
KA1238HA1/H.T.R.100(IP55)/Mg	1238HA1BML	Ball	110/120	50/60	0.22/0.20	18/16	2700/3100	84/100	0.28/0.34	49/51	460
KA1238HA2/H.T.R.100(IP55)/Mg	1238HA2BML	Ball	220/240	50/60	0.12/0.10	18/16	2700/3100	84/100	0.28/0.34	49/51	460
KA1238HA3/H.T.R.100(IP55)/Mg	1238HA3BML	Ball	380/400	50/60	0.07/0.06	18/16	2700/3100	84/100	0.28/0.34	49/51	460

H.T.R.100°C (SGS Approval) (F Class Enamelled Wire Inside)
Test Report No.:SHRL70011/2008

KA1238 H.T.R.130 耐高溫

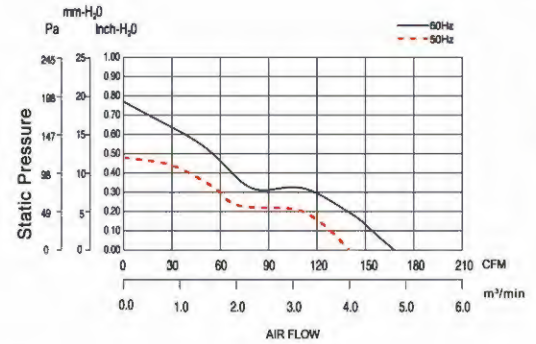
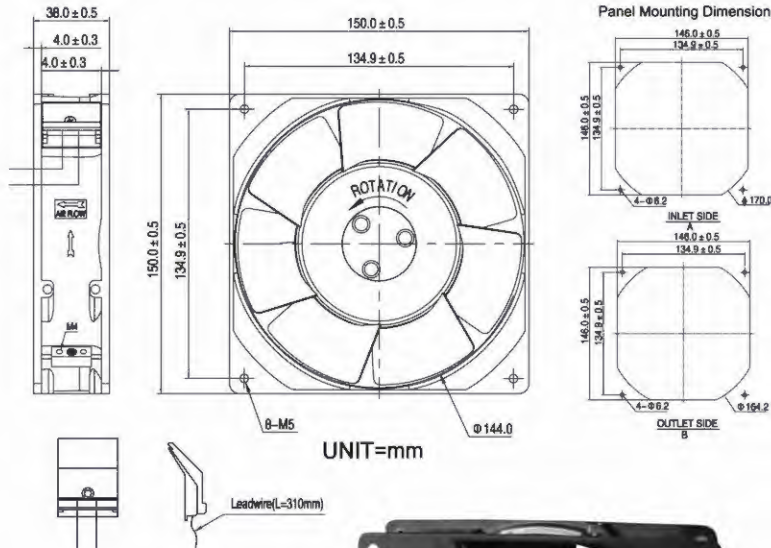
專為130°C環境溫度下設計 Special design for environmental of 130°C

型號 Model	Part No. Terminal Leadwire	軸承類別 Bearing System	電壓 Rated Voltage(V)	頻率 Freq (Hz)	電流 Current (A)	功率 Input Power(W)	轉速 Speed (rpm)	風量 Air Flow (CFM)	靜壓 Static Pressure (inch-H ₂ O)	噪音值 Noise Level(dB-A)	重量 Weight (g)
KA1238HA1/H.T.R.130(IP55)/Mg	1238HA1BML	Ball	110/120	50/60	0.22/0.20	18/16	2700/3100	84/100	0.28/0.34	49/51	460
KA1238HA2/H.T.R.130(IP55)/Mg	1238HA2BML	Ball	220/240	50/60	0.12/0.10	18/16	2700/3100	84/100	0.28/0.34	49/51	460
KA1238HA3/H.T.R.130(IP55)/Mg	1238HA3BML	Ball	380/400	50/60	0.07/0.06	18/16	2700/3100	84/100	0.28/0.34	49/51	460

H.T.R.130°C (SGS Approval) (H Class Enamelled Wire Inside)
Test Report No.:SHRL60012/2008

KAI 523 H.T.R. SERIES

H.T.R. (耐高溫) 150×150×38mm



專為100°C環境溫度下設計 Special design for environmental of 100°C

型號 Model	Part No. Terminal Leadwire	軸承類別 Bearing System	電壓 Rated Voltage(V)	頻率 Freq (Hz)	電流 Current (A)	功率 Input Power(W)	轉速 Speed (rpm)	風量 Air Flow (CFM)	靜壓 Static Pressure (inch-H ₂ O)	噪音值 Noise Level(dB-A)	重量 Weight (g)
KA1523HA1/H.T.R.100/Mg	1523HA1BML	Ball	110/120	50/60	0.45/0.37	43/34	2300/2500	140/168	0.48/0.77	55/56	630
KA1523HA2/H.T.R.100/Mg	1523HA2BML	Ball	220/240	50/60	0.27/0.22	44/35	2300/2500	140/168	0.48/0.77	55/56	630
KA1523HA3/H.T.R.100/Mg	1523HA3BML	Ball	380/400	50/60	0.19/0.16	45/36	2300/2500	140/168	0.48/0.77	55/56	630

H.T.R.100°C (SGS Approval) (F Class Enamelled Wire Inside)
Test Report No.:SHRL80027-2/2008

KAI 523 H.T.R. SERIES
H.T.R. (耐高溫)

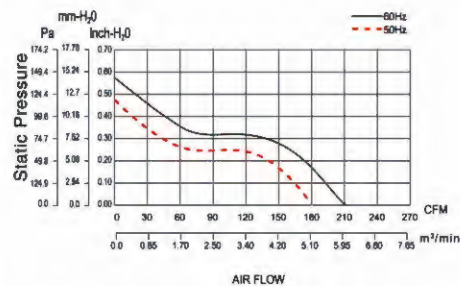
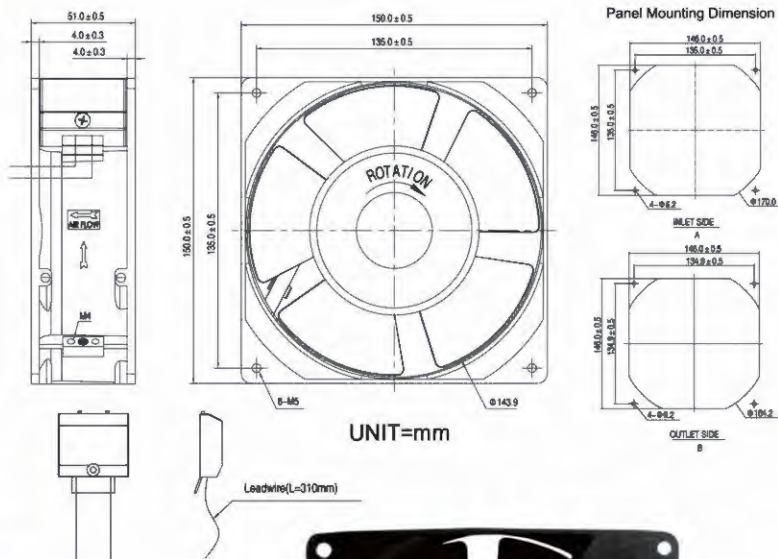
39

KAI525 H.T.R. SERIES

150×150×51mm H.T.R. (耐高溫)

KAI525 H.T.R. SERIES
H.T.R. (耐高溫)

40



IP55

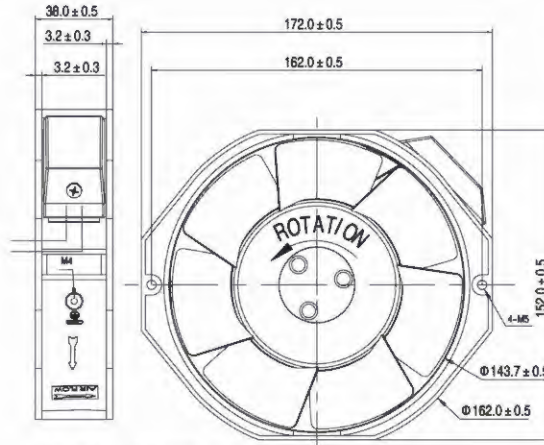
專為100°C環境溫度下設計 Special design for environmental of 100°C

型號 Model	Part No. Terminal Leadwire	軸承類別 Bearing System	電壓 Rated Voltage(V)	頻率 Freq (Hz)	電流 Current (A)	功率 Input Power(W)	轉速 Speed (rpm)	風量 Air Flow (CFM)	靜壓 Static Pressure (inch-H ₂ O)	噪音值 Noise Level(dB-A)	重量 Weight (g)
KA1525HA1/H.T.R.100(IP55)/Mg	1525HA1BML	Ball	110/120	50/60	0.40/0.35	31/28	2700/3100	180/210	0.48/0.58	56/58	890
KA1525HA2/H.T.R.100(IP55)/Mg	1525HA2BML	Ball	220/240	50/60	0.20/0.17	30/28	2700/3100	180/210	0.48/0.58	56/58	890
KA1525HA3/H.T.R.100(IP55)/Mg	1525HA3BML	Ball	380/400	50/60	0.13/0.11	32/29	2700/3100	180/210	0.48/0.58	56/58	890

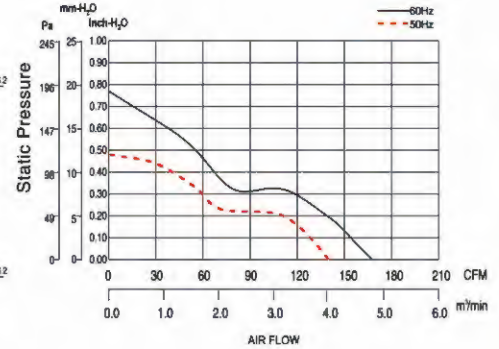
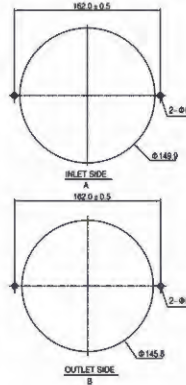
H.T.R.100°C (SGS Approval) (F Class Enamelled Wire Inside)
Test Report No.:SHRL80027-2/2008

KAI 723 H.T.R. SERIES

H.T.R. (耐高溫) 172 × 152 × 38mm



Panel Mounting Dimension



UNIT=mm

Leadwires(L=310mm)

new



IP55

專為100°C環境溫度下設計 Special design for environmental of 100°C

型號 Model	Part No. Terminal Leadwire	軸承類別 Bearing System	電壓 Rated Voltage(V)	頻率 Freq (Hz)	電流 Current (A)	功率 Input Power(W)	轉速 Speed (rpm)	風量 Air Flow (CFM)	靜壓 Static Pressure (inch-H ₂ O)	噪音值 Noise Level(dB-A)	重量 Weight (g)
KA1723HA1/H.T.R.100(IP55)/Mg	1723HA1BML	Ball	110/120	50/60	0.45/0.37	43/34	2300/2500	140/168	0.48/0.77	55/56	630
KA1723HA2/H.T.R.100(IP55)/Mg	1723HA2BML	Ball	220/240	50/60	0.27/0.22	44/35	2300/2500	140/168	0.48/0.77	55/56	630
KA1723HA3/H.T.R.100(IP55)/Mg	1723HA3BML	Ball	380/400	50/60	0.19/0.16	45/36	2300/2500	140/168	0.48/0.77	55/56	630

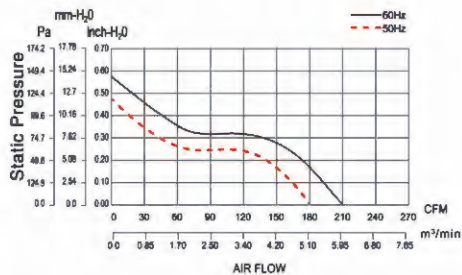
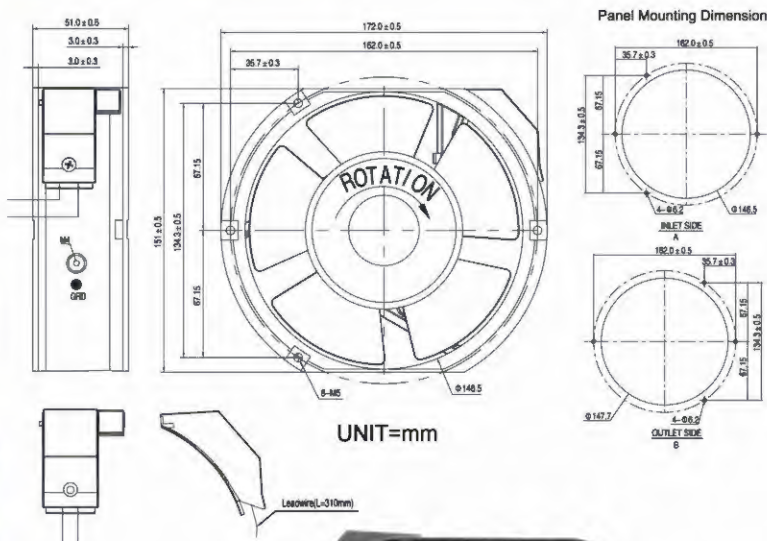
H.T.R.100°C (SGS Approval) (F Class Enamelled Wire Inside)
Test Report No.:SHRL80027-2/2008

KAI725 H.T.R. SERIES

172×150×51mm H.T.R. (耐高溫)

KAI725 H.T.R. SERIES
H.T.R. (耐高溫)

42



專為100°C環境溫度下設計 Special design for environmental of 100°C

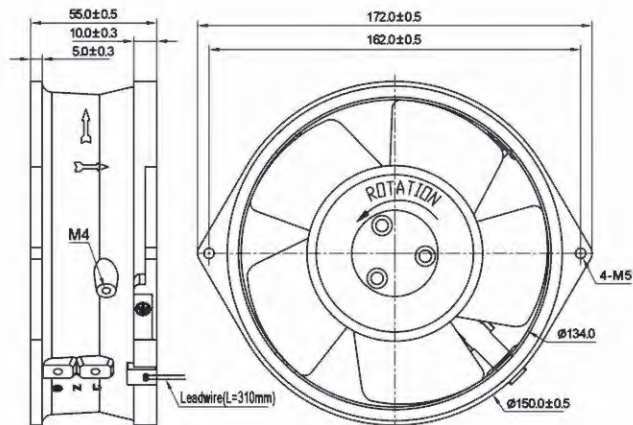
型號 Model	Part No. Terminal Leadwire	軸承類別 Bearing System	電壓 Rated Voltage(V)	頻率 Freq (Hz)	電流 Current (A)	功率 Input Power(W)	轉速 Speed (rpm)	風量 Air Flow (CFM)	靜壓 Static Pressure (inch-H ₂ O)	噪音值 Noise Level(dB-A)	重量 Weight (g)
KA1725HA1/H.T.R.100(IP55)/Mg	1725HA1BML	Ball	110/120	50/60	0.40/0.35	31/28	2700/3100	180/210	0.48/0.58	56/58	850
KA1725HA2/H.T.R.100(IP55)/Mg	1725HA2BML	Ball	220/240	50/60	0.20/0.17	30/28	2700/3100	180/210	0.48/0.58	56/58	850
KA1725HA3/H.T.R.100(IP55)/Mg	1725HA3BML	Ball	380/400	50/60	0.13/0.11	32/29	2700/3100	180/210	0.48/0.58	56/58	850

H.T.R.100°C (SGS Approval) (F Class Enamelled Wire Inside)
Test Report No.:SHRL80027-2/2008

KAI725/5[B] H.T.R. SERIES

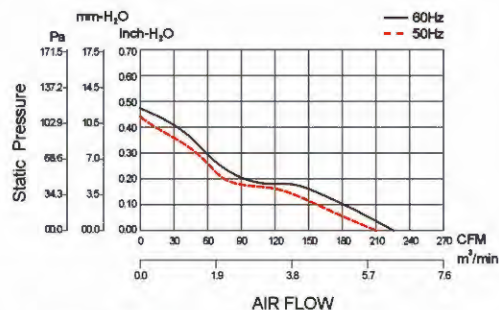
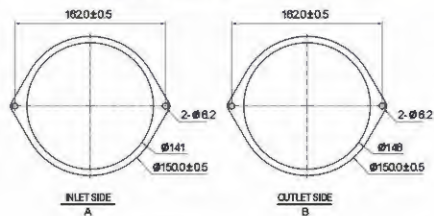
H.T.R. (耐高溫)

72 × 150 × 55mm



UNIT=mm

Panel Mounting Dimension



IP55

專為100°C環境溫度下設計 Special design for environmental of 100°C

型號 Model	Part No. Terminal Leadwire	軸承類別 Bearing System	電壓 Rated Voltage(V)	頻率 Freq (Hz)	電流 Current (A)	功率 Input Power(W)	轉速 Speed (rpm)	風量 Air Flow (CFM)	靜壓 Static Pressure (inch-H ₂ O)	噪音值 Noise Level(dB-A)	重量 Weight (g)
KA1725/5[B]HA1/H.T.R.100(IP55)/Mg	1725/5[B]HA1BML	Ball	110/120	50/60	0.48/0.44	45/42	2600/2900	210/230	0.45/0.47	58/60	980
KA1725/5[B]HA2/H.T.R.100(IP55)/Mg	1725/5[B]HA2BML	Ball	220/240	50/60	0.28/0.25	45/42	2600/2900	210/230	0.45/0.47	58/60	980
KA1725/5[B]HA3/H.T.R.100(IP55)/Mg	1725/5[B]HA3BML	Ball	380/400	50/60	0.20/0.18	46/43	2600/2900	210/230	0.45/0.47	58/60	980

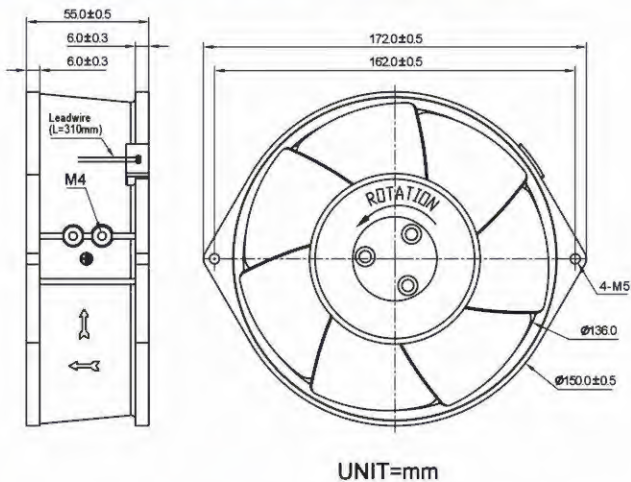
H.T.R.100°C (SGS Approval) (F Class Enamelled Wire Inside)
Test Report No.:SHRL80027-2/2008

KAI725/5 □ H.T.R. SERIES

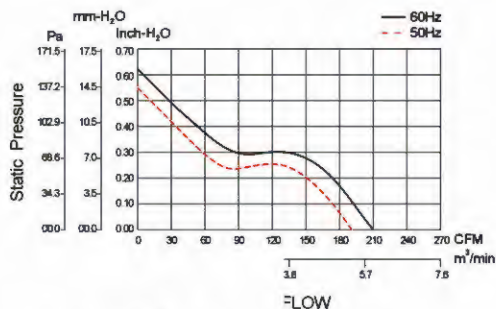
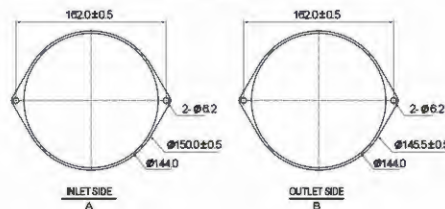
172 × 150 × 55mm H.T.R. (耐高溫)

KAI725/5 □ H.T.R. SERIES
H.T.R. (耐高溫)

44



Panel Mounting Dimension



IP55

專為100°C環境溫度下設計 Special design for environmental of 100°C

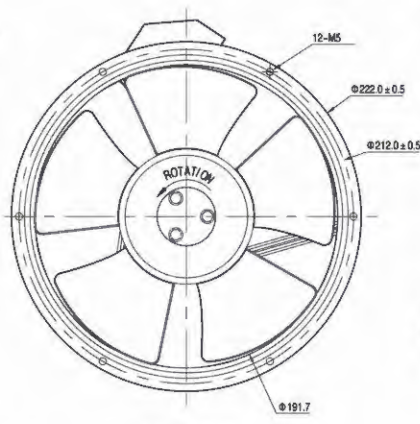
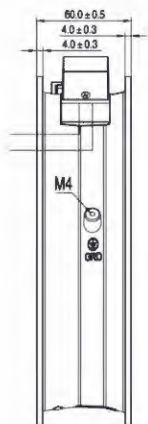
型號 Model	Part No. Terminal Leadwire	軸承類別 Bearing System	電壓 Rated Voltage(V)	頻率 Freq (Hz)	電流 Current (A)	功率 Input Power(W)	轉速 Speed (rpm)	風量 Air Flow (CFM)	靜壓 Static Pressure (Inch-H ₂ O)	噪音值 Noise Level(dB-A)	重量 Weight (g)
KA1725/5 □ HA1/H.T.R.100(IP55)/Mg	1725/5 □ HA1BML	Ball	110/120	50/60	0.48/0.44	45/42	2600/2900	190/210	0.55/0.62	55/58	960
KA1725/5 □ HA2/H.T.R.100(IP55)/Mg	1725/5 □ HA2BML	Ball	220/240	50/60	0.28/0.25	45/42	2600/2900	190/210	0.55/0.62	55/58	960
KA1725/5 □ HA3/H.T.R.100(IP55)/Mg	1725/5 □ HA3BML	Ball	380/400	50/60	0.20/0.18	46/43	2600/2900	190/210	0.55/0.62	55/58	960

H.T.R.100°C (SGS Approval) (F Class Enamelled Wire Inside)
Test Report No.:SHRL80027-2/2008

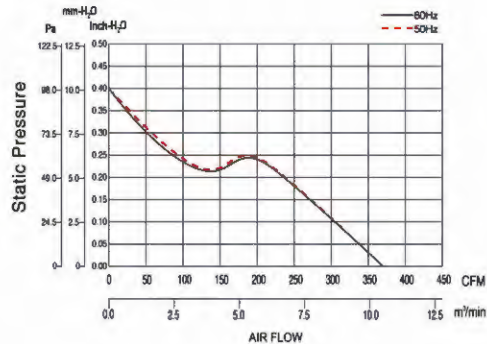
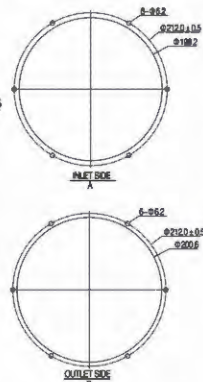
KA2206 H.T.R. SERIES

H.T.R. (耐高溫)

Ø222 × 60mm



Panel Mounting Dimension



UNIT=mm



IP55

專為100°C環境溫度下設計 Special design for environmental of 100°C

型號 Model	Part No. Terminal Leadwire	軸承類別 Bearing System	電壓 Rated Voltage(V)	頻率 Freq (Hz)	電流 Current (A)	功率 Input Power(W)	轉速 Speed (rpm)	風量 Air Flow (CFM)	靜壓 Static Pressure (inch-H ₂ O)	噪音值 Noise Level(dB-A)	重量 Weight (g)
KA2206HA1/H.T.R.100(IP55)/Mg(50HZ)	2206HA1BML(50HZ)	Ball	110/120	50	0.78	53	2500	360	0.4	59	1310
KA2206HA2/H.T.R.100(IP55)/Mg(50HZ)	2206HA2BML(50HZ)	Ball	220/240	50	0.29	53	2500	360	0.4	59	1310
KA2206HA3/H.T.R.100(IP55)/Mg(50HZ)	2206HA3BML(50HZ)	Ball	380/400	50	0.15	53	2500	360	0.4	59	1310
KA2206HA1/H.T.R.100(IP55)/Mg(60HZ)	2206HA1BML(60HZ)	Ball	110/120	60	0.92	71	2500	360	0.4	59	1310
KA2206HA2/H.T.R.100(IP55)/Mg(60HZ)	2206HA2BML(60HZ)	Ball	220/240	60	0.45	71	2500	360	0.4	59	1310
KA2206HA3/H.T.R.100(IP55)/Mg(60HZ)	2206HA3BML(60HZ)	Ball	380/400	60	0.24	71	2500	360	0.4	59	1310

H.T.R.100°C (SGS Approval) (F Class Enamelled Wire Inside)
Test Report No.:SHRL80027-2/2008

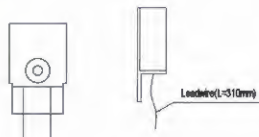
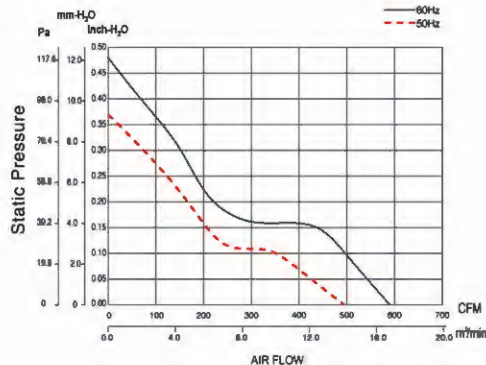
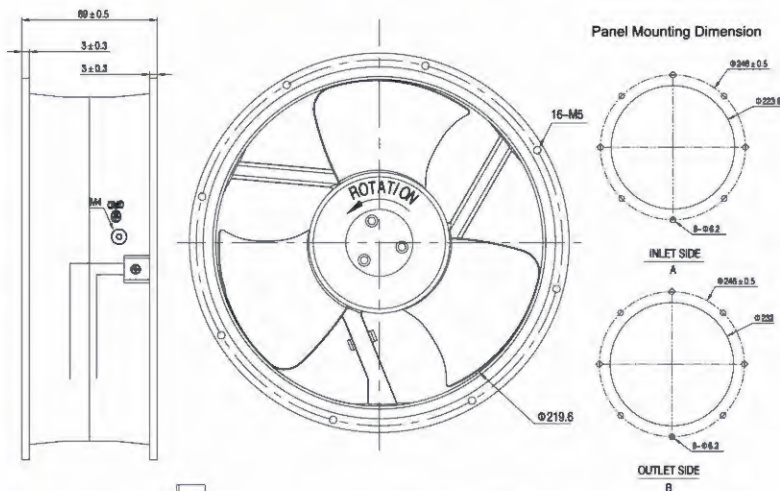
KA2509 H.T.R. SERIES

Ø254 × 89mm

H.T.R. (耐高溫)

KA2509 H.T.R. SERIES
H.T.R. (耐高溫)

46



IP55

專為100°C環境溫度下設計 Special design for environmental of 100°C

型號 Model	Part No. Terminal Leadwire	軸承類別 Bearing System	電壓 Rated Voltage(V)	頻率 Freq (Hz)	電流 Current (A)	功率 Input Power(W)	轉速 Speed (rpm)	風量 Air Flow (CFM)	靜壓 Static Pressure (inch-H ₂ O)	噪音值 Noise Level(dB-A)	重量 Weight (g)
KA2509HA1/H.T.R.100(IP55)/Mg	2509HA1BML	Ball	110/120	50/60	0.65/0.60	43/44	1400/1700	495/589	0.37/0.48	53/56	1680
KA2509HA2/H.T.R.100(IP55)/Mg	2509HA2BML	Ball	220/240	50/60	0.31/0.29	43/44	1400/1700	495/589	0.37/0.48	53/56	1680
KA2509HA3/H.T.R.100(IP55)/Mg	2509HA3BML	Ball	380/400	50/60	0.20/0.18	43/44	1400/1700	495/589	0.37/0.48	53/56	1680

H.T.R.100°C (SGS Approval) (F Class Enamelled Wire Inside)
Test Report No.:SHRL80027-2/2008

Roof Mount Ventilating Filter

RF-190

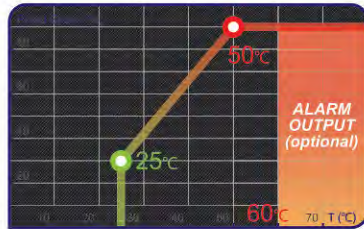
400×350×87.8mm



Top

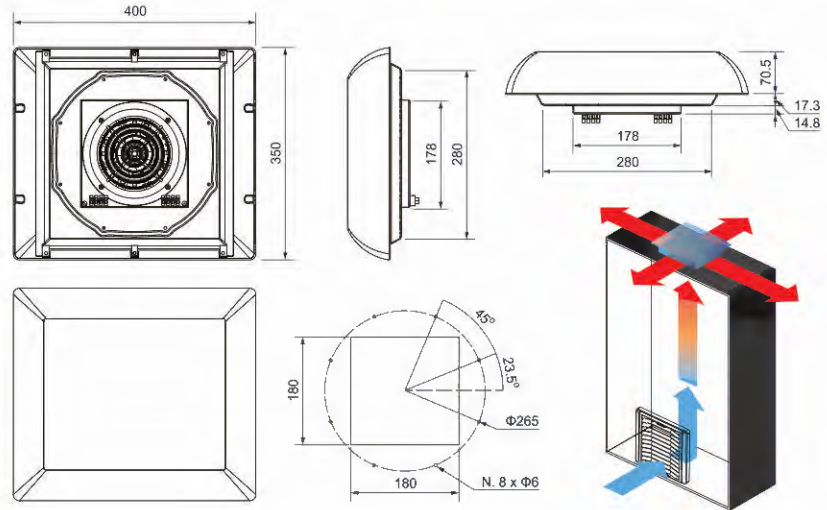
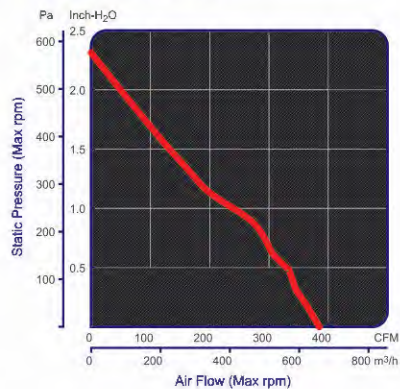


Bottom



Speed-Temperature

曲線圖 Performance



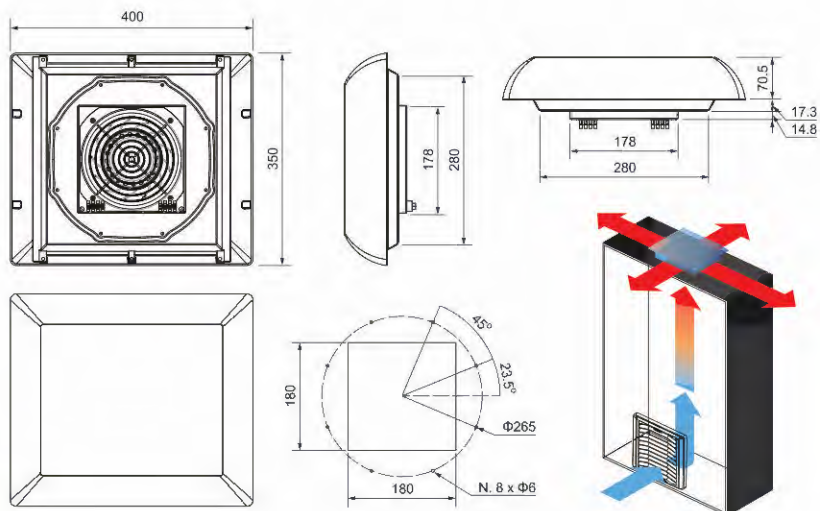
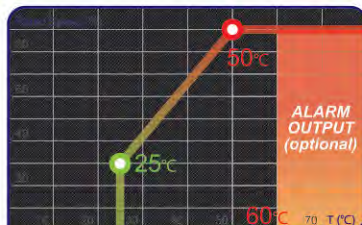
RoHS CE REACH

參數表 Specification

特性	Features	單位 Unit	RF-EC190						
風機風量	Fan air flow rate	m³/h (CFM)	656 (386)						
總用單元風量	Fan + Tower air flow rate	m³/h (CFM)	591 (348)						
額定電壓	Rated voltage	V	24VDC \ 48VDC \ 110VDC \ 115VAC \ 230VAC						
額定參數	溫度 Temperature	°C	<25	25	30	35	40	45	>50
Nominal parameter	功率 Power	W	Off	8	35	50	65	80	95
	轉速 Roted speed	rpm	Off	1160	2350	2600	2850	3000	3190
外形尺寸	Dimensions H x W x D	mm	400 x 350 x 116						
保護方式	Over current protection	-	By Ic						
電氣連接方式	Electrical connection	-	Terminal						
運轉模式	Duty cycle	-	100%						
特殊功能(選配)	Specific function (optional)	-	FG/RD PWM/ 0~10V						
工作溫度	Operating temperature	°C	-20~+60						
防護等級	Protection grade	-	IP44						
噪音值	Noise level	dB(A)	0 ~ 78						
RF190+6xFU9806	RF190+6xFU9806 capacity	m³/h (CFM)	544 (320)						
空氣流向	Direction of the air flow	-	Inside → outside						
軸承系統	Bearing system	-	bearings						
警報輸出(選配)	Alarm output (optional)	-	>60°C 無源觸點(常開)						
材質	Material	-	Mg						
產品淨重/毛重	Weight (N.W. / G.W.)	Kg	4.0 / 4.5						
外包裝尺寸	Package dimensions HxWxD	mm	459 x 405 x 136						
符合標準	Conformity	-	CE						
顏色	Colour	-	RAL7035						

Roof Mount Ventilating Filter

400×350×87.8mm RF-220

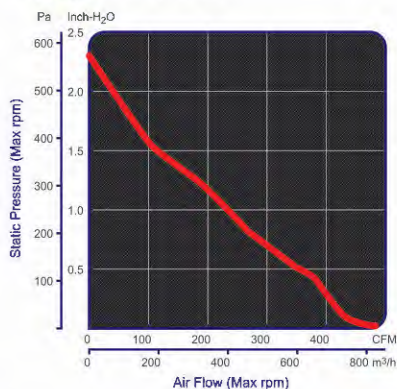


RoHS REACH

參數表 Specification

特性	Features	單位 Unit	RF-EC220							
風機風量	Fan air flow rate	m ³ /h (CFM)	816 (460)							
蓋用單元風量	Fan + Tower air flow rate	m ³ /h (CFM)	739 (435)							
額定電壓	Rated voltage	V	24VDC \ 48VDC \ 110VDC \ 115VAC \ 230VAC							
額定參數 Nominal parameter	溫度 Temperature	°C	<25	25	30	35	40	45	>50	
	功率 Power	W	Off	9	42	57	70	88	102	
	轉速 Roted speed	rpm	Off	1050	2170	2420	2600	2860	2960	
外形尺寸	Dimensions H x W x D	mm	400 x 350 x 116							
保護方式	Over current protection	-	By Ic							
電氣連接方式	Electrical connection	-	Terminal							
運轉模式	Duty cycle	-	100%							
特殊功能 (選配)	Specific function (optional)	-	FG/RD PWM/ 0~10V							
工作溫度	Operating temperature	°C	-20~+60							
防護等級	Protection grade	-	IP44							
噪音值	Noise level	dB(A)	0 ~ 79							
RF190+6xFU9806	RF190+6xFU9806 capacity	m ³ /h (CFM)	680 (400)							
空氣流向	Direction of the air flow	-	Inside → outside							
軸承系統	Bearing system	-	bearings							
警報輸出 (選配)	Alarm output (optional)	-	> 60°C 無源觸點 (常閉)							
材質	Material	-	Mg							
產品淨重 / 毛重	Weight (N.W. / G.W.)	Kg	4.0 / 4.5							
外包裝尺寸	Package dimensions HxWxD	mm	459 x 405 x 136							
符合標準	Conformity	-	CE							
顏色	Colour	-	RAL7035							

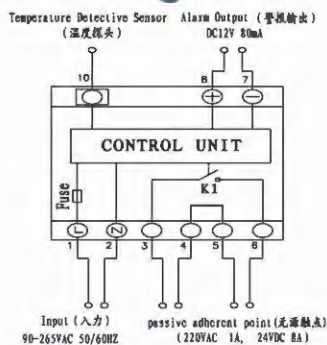
曲線圖 Performance



Temperature controller



TC-001



主要功能 Features & Benefits

- 即時了解盤內溫度
Awareness of the panel temperature instantly
- 節能降耗
Low power consumption
- 減少軸承損耗，延長風機使用壽命
Decrease the consumption of the bearing and prolong the life-span of the fan
- 減少侵入盤內之灰塵
Minimize the duct may go into the panel
- 延長通風過濾網之壽命
Prolong the life-span of the ventilation filter units
- 減少維護之人工
Minimize the process of maintenance cycle
- 警報溫度值的設定可有效防止盤內溫升過高造成其他元器件之故障
The setting of alarm value can prevent the malfunction of other components due to the high temperature of the panel

盤內溫度檢知以控制冷卻風扇之ON/OFF，以達省電節能之目的。

KAKU風機溫度控制器是卡固公司經過一年多自主研發、生產的高科技產品。它可以根據環境溫度的變化通過智能感溫探頭自動控制製風機的啟動與停止。產品可以設定警報溫度值，當環境溫度過高發出警報，減少因溫度而產生的隱患。該溫控器穩定性好，可靠性高，使用壽命長，芯片精度高，抗干擾性強。風機可以在用戶設定的溫度範圍內可靠的自動運行，既方便使用又節能降耗，可為您帶來顯著的經濟效益。

Control the ON/OFF of the fan by temperature detecting inside the panel and in that case can save more energy. This fan using temperature controller is another high-tech product manufactured by KAKU which undergoes more than one year of independent research. It can well control the ON/OFF of the fan according to the environmental temperature changing via the intelligence temperature detective sensor. It can also set the alarm value and give out warning signal when panel temperature goes high-precision chip and strong due to the high temperature. This product has good stability, high reliability, long service life, high-precision chip and strong anti-jamming ability. The fan can run smoothly and automatically at the setting range of the temperature bring you th significant economic benefits.

技術參數 Technical Parameters

型號	Model	TC-001
電壓	Rated Voltage(V)	90~264VAC 50/60Hz
輸出 Output	負載 Load	220VAC, 1A(Max.) 24VDC, 8A(Max.)
	警報 Alarm	12.0 ± 1.0VDC 80mA(Max.)
工作溫度範圍	Operating Temperature Range	-9°C~85°C
開關溫度設定	Temperature Setting Value	-9°C~99°C
警報溫度設定	Alarm Setting Range Value	-9°C~99°C
觸點類型	Contact Type	雙向觸點(繼電器) 2-way contact (relay)
最大轉換功率	Max. Commutation Power	240W
精度誤差範圍	Precision Range	± 2°C
接線方式	Mode Of Connection	接線式端子 (採用線徑0.75mm ² ~1.2mm ²) Cable type of terminal (adopt wire diameter 0.75mm ² ~1.2mm ²)
顏色	Color	RAL9005
顯示器	Display	LED
防護等級	IP Grade	IP20
儲存溫度	Storage Temperature	-30°C~85°C
可開關次數	Life-span	> 100000 Times
安裝方式	Install	依據EN60715固定爪卡在35mm導軌上或M5螺絲板式連接 Mounting on the 35mm Din rail according to En60715 or mounting with M5 bolt directly
認證	Certification	RoHs; UL, CE & CCC are bing applied (認證中)
重量	Weight	110g

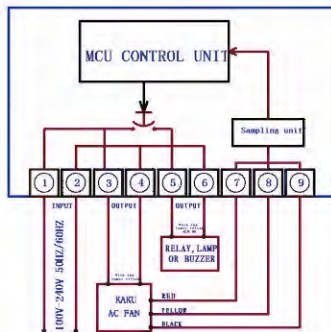
Fan Decoder

45 × 65 × 29 mm

TC-002



TC-002



主要功能 Features & Benefits

- 有效監控風機的運行狀態
Effectively monitor the running state of fan
- 當轉速低於設定值時，第一時間發出警報
Alarm at the first time when the fan speed lower than the set volume
- 減少柜內維護之人工
Reduce the maintenance of the cabinet
- 防止因風機故障導致盤內溫升過高造成其它元件的故障
Prevent the excessively high temperature and the components failure due to the malfunction of the fan.

解碼盒是卡固公司自主研發，生產的高科技產品。通過對裝有霍爾元件的特製風機進行頻率監測，解碼盒可以有效讀取風機的轉速訊號，並且對轉速作出判斷並且反饋出信號。該信號可以驅動聲光報警器，從而讓使用終端達到相對安全的環境溫度，避免因風機異物堵住或者轉速偏低造成柜內元器件失效而造成的損失。

KAKU fan decoder undergoes more than one year independent research, which can monitor the frequency of the fan. Thus, it can get the speed signal and give the feedback if the fan speed under the minimum volume. Through the audible or visual alarm given by the signal of the fan decoder, can make sure a safety panel environment and avoid the loss of the components and parts.

技術參數 Technical Parameters

型號	Model	TC-002
電壓	Rated Voltage(V)	90~264VAC 50/60Hz
輸出 Output	警報 Alarm	220VAC, 0.5A (Max.) 24VDC, 1A (Max.)
工作溫度範圍	Operating Temperature Range	-10°C~65°C
警報轉速設定	Temperature Setting Value	1800 RPM (可依客戶定製)
精度誤差範圍	Precision Range	±20 RPM
接線方式	Mode Of Connection	接線式端子 (採用線徑0.2~0.5mm ²) Cable type of terminal (adopt wire diameter 0.2~0.5mm ²)
顏色	Color	RAL9005
防護等級	IP Grade	IP20
儲存溫度	Storage Temperature	-30°C~85°C
可開關次數	Life-span	> 100000 Times
安裝方式	Install	依據EN60715固定爪卡在35mm導軌上或M5螺栓板式連接 Mounting on the 35mm Din rail according to En60715 or mounting with M5 bolt directly
認證	Certification	RoHs; UL, CE & CCC are bing applied (認證中)
重量	Weight	60g

劃時代 的革新

DC Fans
軸流直流風機

Specialists
in fan design &
Production

獨特的風機設計
與生產工藝

PART-1.2

KAKU®



PART-1.2

BRUSHLESS DC FAN

GENERAL SPECIFICATION (軸流 DC 風機特性)

Electric srlength

>>5mA max at 1500VAC for 1min between lead wire and frame

Insulation resistance

>>10M ohm between lead wire and frame (DC 500V)

Life expectancy (ball bearing)

>>50,000hrs min at 40°C /L 10 relative humidity 65%+/-20%

Life expectancy (sleeve bearing)

>>30,000hrs min at 40°C /L 10 relative humidity 65%+/-20%

Life expectancy (1ball bearing + 1sleeve bearing)

>>40,000hrs min at 40°C /L 10 relative humidity 65%+/-20%

Operation temperature

>>-10°C →+75°C (+14°F~167°F), normal

Storage temperature

>>-40°C ~+75°C (-40°F~167°F)

Protection

>>motor protection and polarity protection

Lead wire

>>UL1571AWG28

Plastic material

>>black PBT (UL94V-0) glass filled

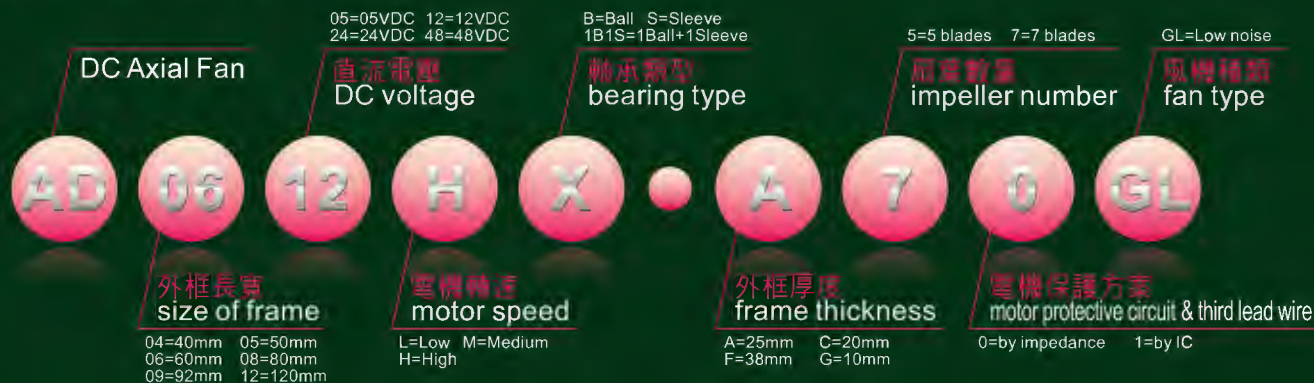
*The technical characteristics given in this catalogue are standard plastic, 12VDC unless specified.



DESCRIPTION OF AXIAL DC FAN CODE

(軸流DC風機型號說明)

For example: AD0612HX-A70GL

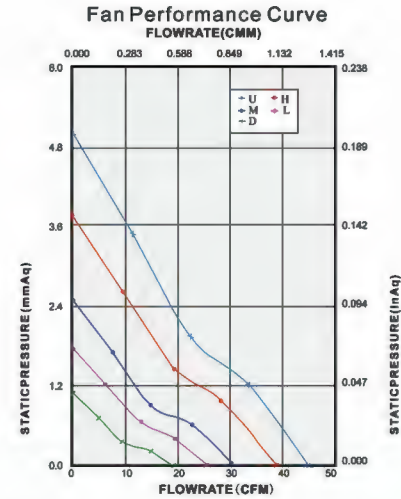
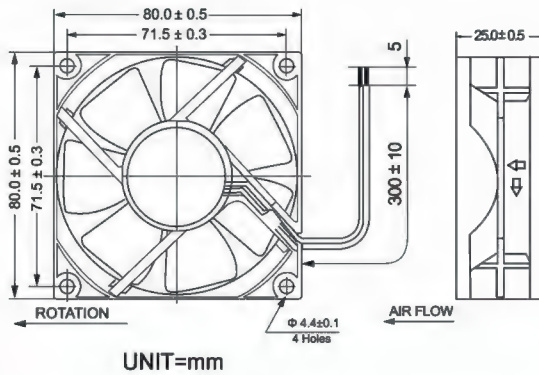




Frame: Plastic (UL: 94V-0)
 Impeller: Plastic (UL: 94V-0)
 Bearing: Ball / Sleeve / 1B1S
 Lead wire: UL1007AWG24
 Operating TEMP*: -10°C~70°C
 Voltage available: 12V, 24V

* -10°C~60°C for fans with sleeve / ball combination bearings.

Spot cooling, also suitable for small space requirements, laptops PC and notebook, etc.,



Frame Size	Model	Bearing Type	Voltage (V)	Current (A)	Power (W)	Speed (rpm)	(CMM)	(CFM)	(InAq)	(mmAq)	Noise (dB/A)	Weight (g)
80 × 80 × 25	AD0812HB-A71GL	○ ●	12	0.25	3.00	3010	1.072	38.07	0.144	3.61	34.4	86
	AD0812MB-A71GL	○ ●	12	0.15	1.80	2440	0.855	30.37	0.109	2.73	28.3	86
	AD0812LB-A71GL	○ ●	12	0.12	1.44	2030	0.761	27.00	0.073	1.83	22.5	86
	AD0824HB-A71GL	○ ●	24	0.16	3.84	3010	1.072	38.07	0.144	3.61	34.4	86
	AD0824MB-A71GL	○ ●	24	0.10	2.40	2440	0.855	30.37	0.109	2.73	28.3	86
	AD0812HB-A70GL(T)	○ ● ●	12	0.25	3.00	3010	1.098	38.99	0.150	3.75	34.4	86
	AD0812MB-A70GL(T)	○ ● ●	12	0.15	1.80	2500	0.870	30.87	0.101	2.53	28.3	86
	AD0812LB-A70GL(T)	○ ● ●	12	0.12	1.44	2100	0.737	26.16	0.071	1.78	22.5	86
	AD0824HB-A70GL(T)	○ ● ●	24	0.16	3.84	3100	1.098	38.99	0.150	3.75	34.4	86
	AD0824MB-A70GL(T)	○ ● ●	24	0.10	3.40	2500	0.870	30.87	0.101	2.53	28.3	86
AD0824LB-A70GL(T)	○ ● ●	24	0.09	2.16	2100	0.737	26.16	0.071	1.78	22.5	86	

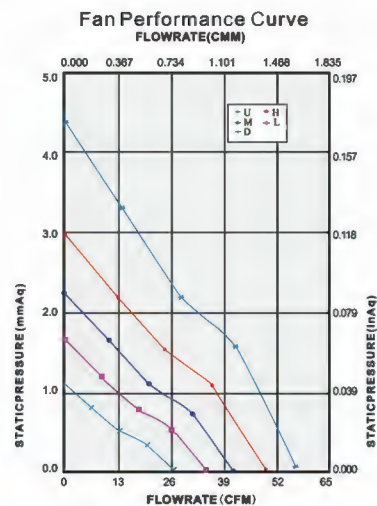
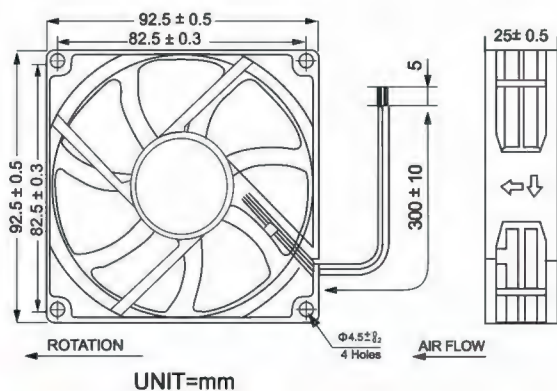
Bearing Type: ○-Ball; ●-Sleeve; ●-1B1S

AD 9225 SERIES



Frame: Plastic (UL: 94V-0)
 Impeller: Plastic (UL: 94V-0)
 Bearing: Ball / Sleeve
 Lead wire: UL1007AWG24
 Operating TEMP*: -10°C~70°C
 Voltage available: 12V, 24V, 48V

Spot cooling, also suitable for small space requirements, laptops PC and notebook, etc.,



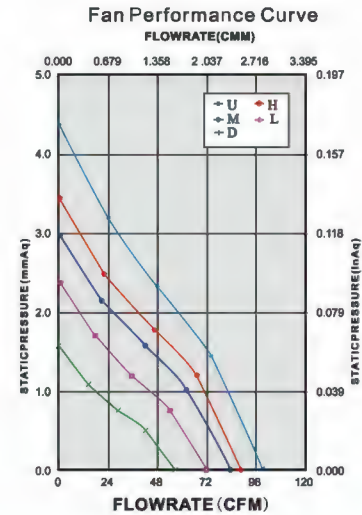
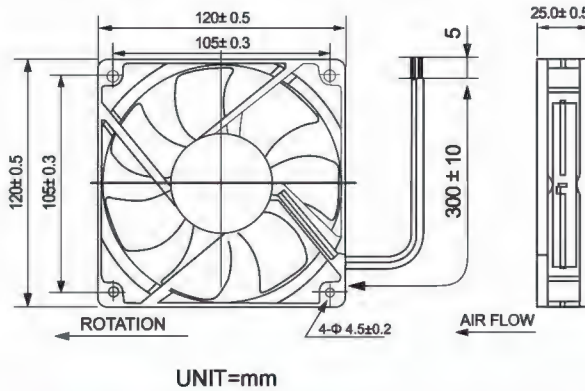
Frame Size	Model	Bearing Type	Voltage (V)	Current (A)	Power (W)	Speed (rpm)	(CMM)	(CFM)	(InAq)	(mmAq)	Noise (dB/A)	Weight (g)
92 × 92 × 25	AD0912HB-A71GL	○●	12	0.25	3.00	2900	1.491	52.50	0.133	3.37	35.0	101
	AD0912MB-A71GL	○●	12	0.17	2.04	2600	1.340	47.20	0.108	2.74	32.7	101
	AD0912LB-A71GL	○●	12	0.12	1.44	2300	1.064	37.76	0.078	1.94	29.8	101
	AD0924HB-A71GL	○●	24	0.25	3.60	2900	1.491	52.50	0.133	3.37	35.0	101
	AD0924MB-A71GL	○●	24	0.12	2.88	2600	1.340	47.20	0.108	2.74	32.7	101
	AD0924LB-A71GL	○●	24	0.08	1.92	2300	1.181	41.60	0.087	2.20	29.8	101
	AD0948HB-A71GL	○	48	0.13	6.24	2900	1.491	52.50	0.133	3.37	35.1	101
	AD0912HB-A70GL(T)	○●	12	0.25	3.00	2900	1.491	52.50	0.133	3.37	35.0	101
	AD0912MB-A70GL(T)	○●	12	0.17	2.04	2400	1.235	43.50	0.092	2.33	31.3	101
	AD0912LB-A70GL(T)	○●	12	0.13	1.56	2000	1.022	36.00	0.063	1.60	25.0	101
	AD0924HB-A70GL(T)	○●	24	0.15	3.60	2900	1.491	52.50	0.133	3.37	35.0	101
	AD0924MB-A70GL(T)	○●	24	0.12	2.88	2400	1.235	43.50	0.092	2.33	31.0	101
	AD0924LB-A70GL(T)	○●	24	0.08	1.92	2000	1.022	36.00	0.063	1.60	26.5	101

Bearing Type: ○-Ball; ●-Sleeve



Frame: Plastic (UL: 94V-0)
Impeller: Plastic (UL: 94V-0)
Bearing: Ball / Sleeve
Lead wire: UL1007AWG24
Operating TEMP*: -10°C~70°C
Voltage available: 12V, 24V

Spot cooling, also suitable for small space requirements, laptops PC and notebook, etc.,



Frame Size	Model	Bearing Type	Voltage (V)	Current (A)	Power (W)	Speed (rpm)	(CMM)	(CFM)	(InAq)	(mmAq)	Noise (dB/A)	Weight (g)
120 × 120 × 25	AD1212HB-A71GL(0TC)	○●	12	0.37	4.44	2200	2.499	88.71	0.138	3.35	39.1	156
	AD1212MB-A71GL(0TC)	○●	12	0.33	3.96	2050	2.344	83.21	0.119	2.97	38.0	156
	AD1212LB-A71GL(0TC)	○●	12	0.24	2.88	1800	2.028	72.00	0.095	2.37	34.4	156
	AD1224HB-A71GL(0TC)	○●	24	0.19	4.56	2200	2.499	88.71	0.138	3.45	39.1	156
	AD1224MB-A71GL(0TC)	○●	24	0.17	4.08	2050	2.344	83.21	0.119	2.97	38.0	156

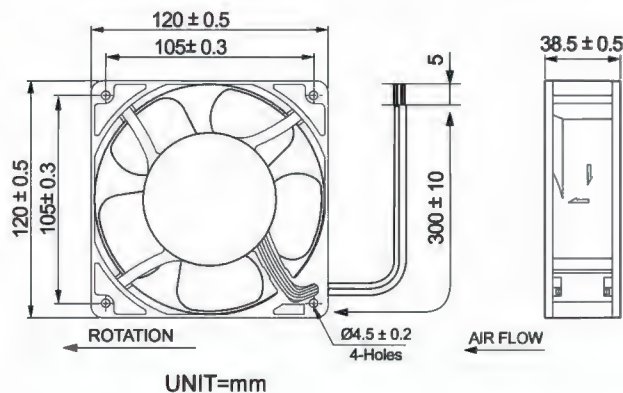
0TC: 晶體版IC Bearing Type: ○-Ball; ●-Sleeve

AD 12038 SERIES

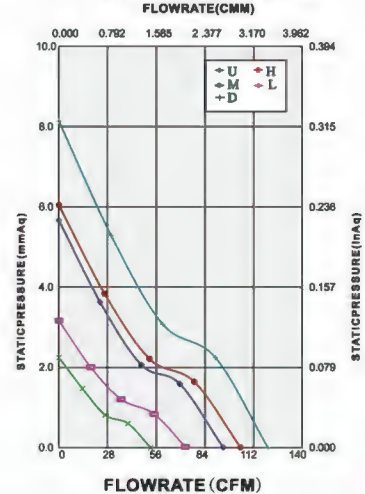


Frame: Plastic (UL: 94V-0)
 Impeller: Plastic (UL: 94V-0)
 Bearing: Ball / Sleeve
 Lead wire: UL1007AWG24
 Operating TEMP*: -10°C~70°C
 Voltage available: 12V, 24V, 48V

Spot cooling, also suitable for small space requirements, laptops PC and notebook, etc.,



Fan Performance Curve



Frame Size	Model	Bearing Type	Voltage (V)	Current (A)	Power (W)	Speed (rpm)	(CMM)	(CFM)	(InAq)	(mmAq)	Noise (dB/A)	Weight (g)
120 × 120 × 38	AD1212HB-F51	○●	12	0.50	6.00	2800	2.994	104.80	0.242	6.05	42.8	297
	AD1212MB-F51	○●	12	0.35	4.20	2540	2.685	94.00	0.227	5.67	41.0	297
	AD1212LB-F51	○●	12	0.24	2.88	1950	2.065	72.30	0.127	3.17	32.9	297
	AD1224HB-F51	○●	24	0.32	7.68	2800	2.994	104.80	0.342	6.05	42.8	297
	AD1224MB-F51	○●	24	0.23	5.52	2540	2.685	94.00	0.227	5.67	41.0	297
	AD1224LB-F51	○●	24	0.14	3.36	1950	2.065	72.30	0.127	3.17	32.9	297
	AD1248HB-F51	○●	48	0.20	9.60	2800	2.994	104.80	0.342	6.05	42.8	297
	AD1248MB-F51	○●	48	0.14	6.72	2540	2.685	94.00	0.227	5.67	41.0	297
	AD1248LB-F51	○●	48	0.10	4.80	1950	2.065	72.30	0.127	3.17	32.9	297

Bearing Type: ○-Ball; ●-Sleeve

全新 大型DC風機系列



DC-2880 series



DC-2258 series

打造更安全，更環保，更節能的散熱空間！

軸流風機行業“交流化”向“直流化”發展是趨勢，意味着更加安全，有效，節能環保。

More and more customers using DC cooling fans to replace AC cooling fans to make sure security of the control unit. Environmental protection is another priority with KAKU. This is why we have developed our product line in DC technology, which makes for very low power consumption, and why we take pride in our manufacturing philosophy.

更好的IP防護等級

新推出的DC全系列風機IP等級最高可提升至IP55，滿足不同領域客戶的使用要求，提供更安全有效的防護。

Protection Class

Higher protection class for DC FANS can conform to the requirements of Protection Class IP55 at most, thus providing additional Safety.

警報，轉速控制，訊號反饋功能的追加成爲可能

爲確保更加安全有效，可監測，可追溯的散熱系統，滿足不同客戶的需求，可追加警報，轉速控制等附加功能。

Alarm, speed control and signal reflection can be optional.

With a wide range of DC fans, we can meet the customer's need for alarm, speed control and signal reflection, which make possible to monitoring the varying signals of the cooling fans to ensure the safety of cooling unit.

全球唯一鎂合金扇葉材質

全系DC風機均採用全球唯一鎂合金扇葉材質，最大程度上，降低轉子和軸承之熱壓，保證了風機的使用壽命。

The impeller of full range of DC cooling fans using magnesium alloy materials, which can reduce the surface temperature of the bearing and rotors to make sure highly life expectancy.



KAKU®

大型直流風機已全面投放市場！
詳情請和當地分公司索取相關資料



VENTILATOR FILTER UNIT 通風過濾網組系列



PART-2





我們的通風過濾網組系列按國際標準制造，通過CE認證，防護等級為IP44，品質優越，值得信賴。

Our manufacture ventilator filter according international standard which got CE certificate already, good quality deserves your confidence.

材質選用 Materials

外框選用ABS樹脂材質，添加難燃及抗紫外線特性；濾網材質選用進口尼龍纖維合成樹脂，除塵率高達AFI 80%（AFI=JAPAN AIRFILTER INSTITUDE）（可反復拆洗使用建議在灰塵大的場所每周清洗一次，如紡織廠等）。

Non-flammable ABS resin with UV-resistant for the frame, imported Nylon fiber synthetic resin for filter, AFI(rate of dust resistance test from Japan) reach 80%.

精湛設計 Special design

外框超薄型設計，顏色美觀大方，通風口采用45度角創新設計，達到最佳空氣流量及防水防塵效果。過濾網后部安裝密封墊圈，緊密貼合機框，提高防水功能。

Ultra thin type with 45° angle is good looking and better for ventilation, also better for dust-proof and water-proof. The sheet gasket on the back improves the degree of water-proof.

配置靈活 Flexible assemble

在濾網組后部預埋螺帽，即同一規格的網組可配置1-3種不同規格的標準風機，方便客戶根據機柜所需之散熱要求靈活配置。

Each model filter could assemble with 1-3 model of fan, very flexible and convenient.

使用效能 Efficacy

能確保控制製器及精密電子零件之有效散熱，延長使用壽命，降低故障率，防止誤動作產生。

It can assure heat outputting, increase the service life of electric components mounted in the control panel, to avoid the operate miss.



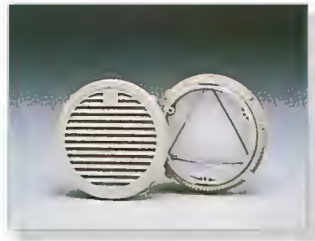
PART-2

FU9801/02A&C-1(2)

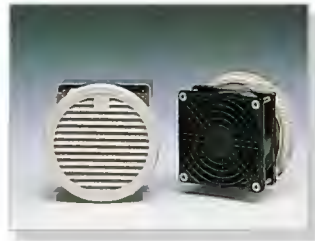
Round Size 圓型

FU9801/02A&C-1(2)

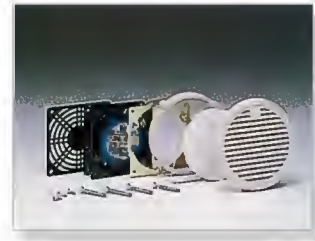
60



FU-9801/02A

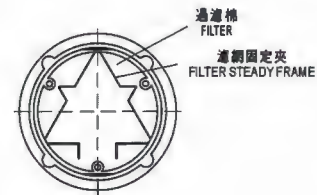
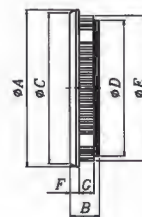
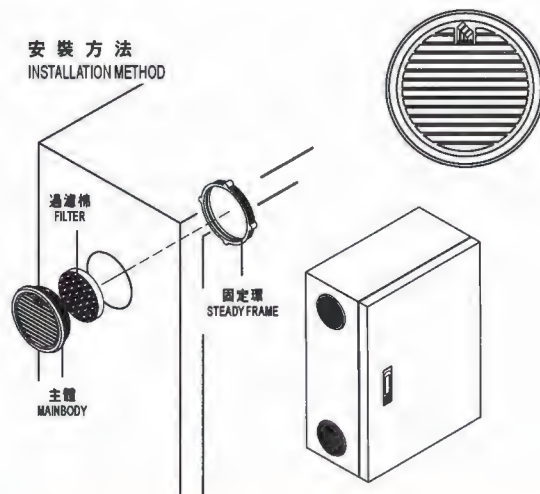


FU-9801/02C

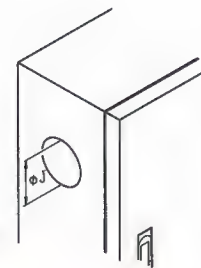


FU-9801/02C

安裝方法
INSTALLATION METHOD



開孔尺寸
PANEL OPENING SIZE



尺寸對照表 Specification

型號 Model	尺寸 Sizes (mm)								包裝數量 Package quantity	保護等級 Protected classification
	ϕA	B	ϕC	ϕD	ϕE	F	G	ϕJ		
FU9801A	105	22.5	101	88.8	97	6	10	90	2PC	IP44
FU9802A	120	22.5	116	100.8	109	6	10	102	2PC	IP44

過濾網組專用防雨罩 FU9801/02B

Rain-Resistance Hood

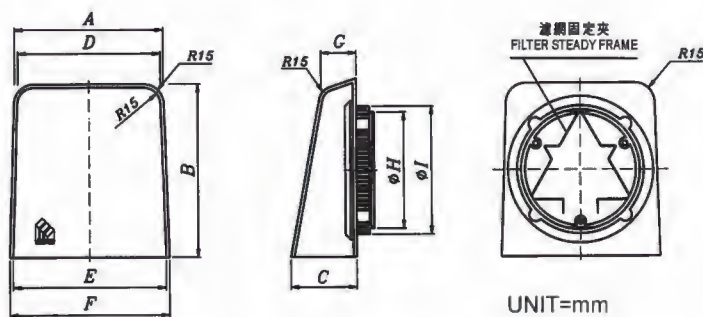


FU-9801/02B

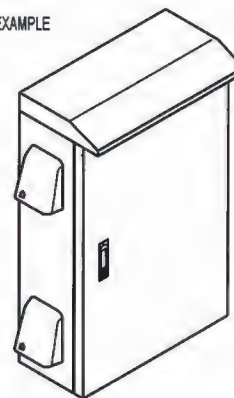


FU-9801/02B

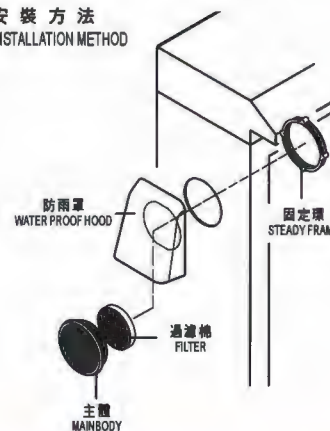
*材料採用AES可提升IP等級，亦可防止因氣候所導致之劣化現象。
Use AES materials, it promotes IP grade, also prevent the defaults caused by bad weather.



裝置例
INSTALLATION EXAMPLE



安裝方法
INSTALLATION METHOD



尺寸對照表 Specification

型號 Model	尺寸 Sizes (mm)										包裝數量 Package quantity	保護等級 Protected classification
	A	B	C	D	E	F	G	∅H	∅I	∅J		
FU9801B	110	130	50	100	110	120	30	88.8	97	90	2PC	IP54
FU9802B	125	140	50	115	125	135	30	100.8	109	102	2PC	IP54

FU9803A&C-I(2)

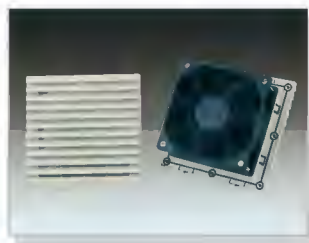
Small Size 小型

FU9803A&C-I(2)

62



FU-9803A

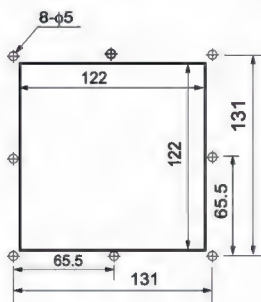
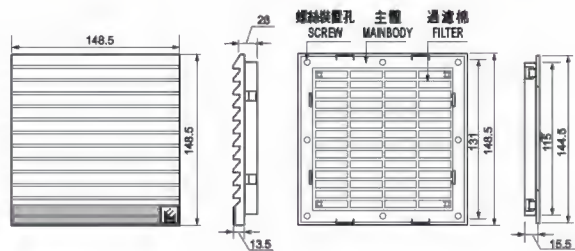
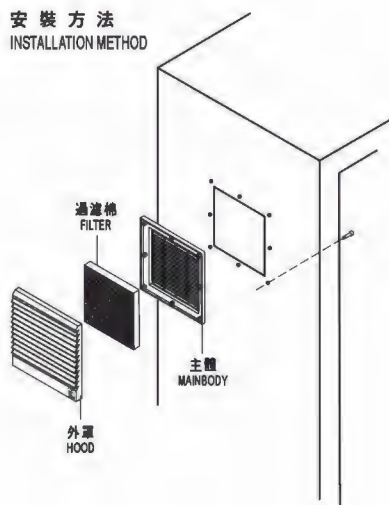


FU-9803C



FU-9803C

安裝方法
INSTALLATION METHOD

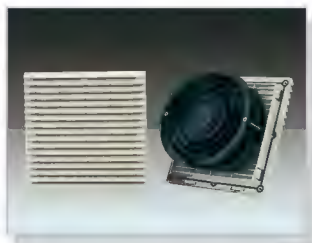


開孔尺寸
PANEL OPENING SIZE

UNIT=mm



FU-9804A

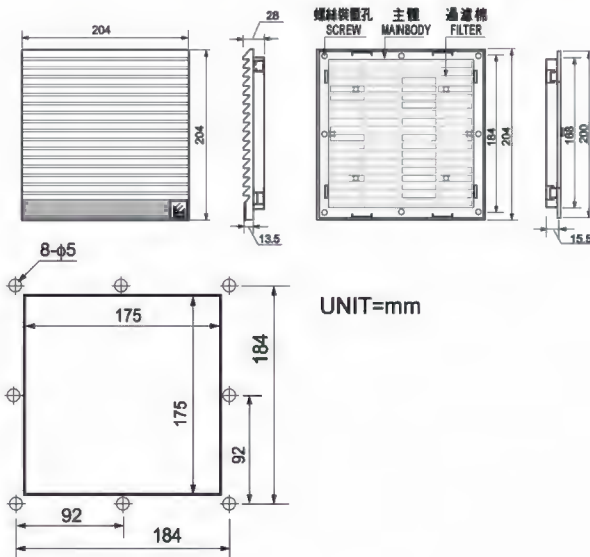
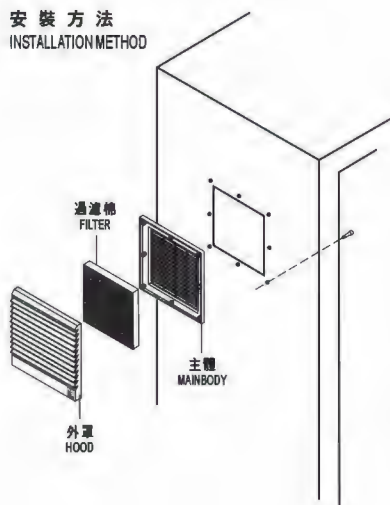


FU-9804C



FU-9804C

安裝方法
INSTALLATION METHOD



開孔尺寸
PANEL OPENING SIZE

FU9805A&C-I(2)

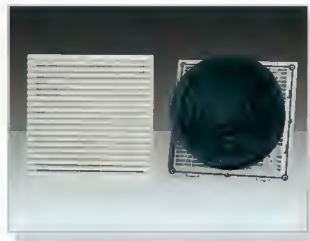
Large Size 大型

FU9805A&C-I(2)

64



FU-9805A

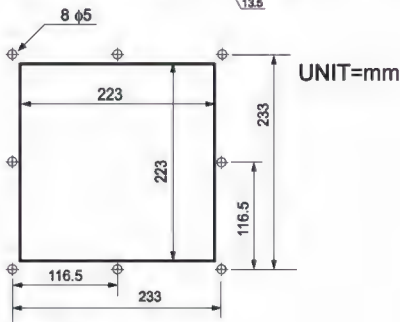
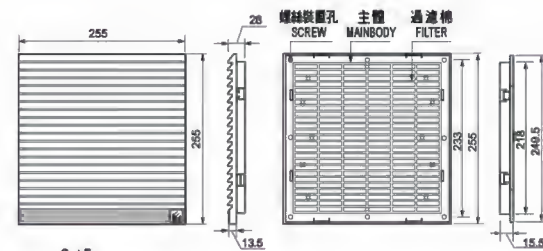
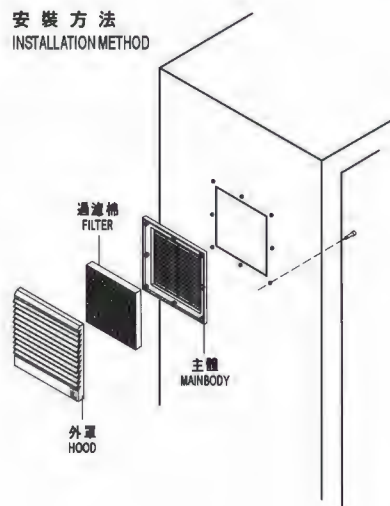


FU-9805C



FU-9805C

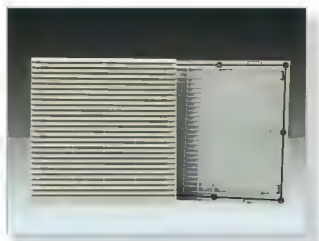
安裝方法
INSTALLATION METHOD



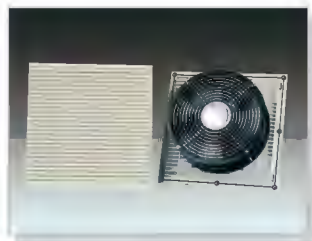
開孔尺寸
PANEL OPENING SIZE

FU9806A&C-1(2)

Super Large Size 超大型



FU-9806A

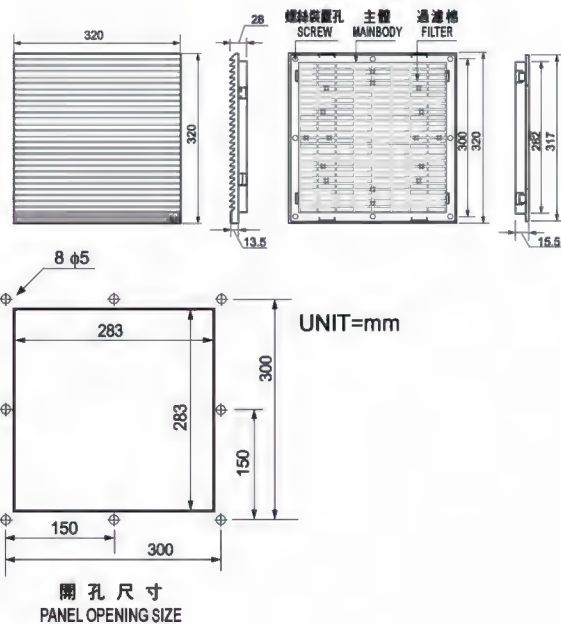
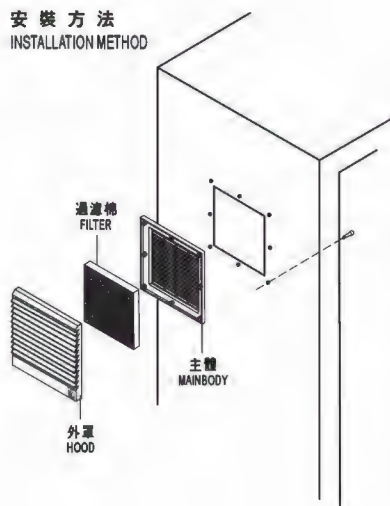


FU-9806C



FU-9806C

安裝方法
INSTALLATION METHOD



FU9806A&C-1(2)

FU9807A&C-A(B)-I(2)

Super Large Size 超大型

FU9807A&C-A(B)-I(2)

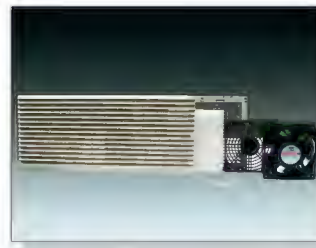
66



FU-9807A



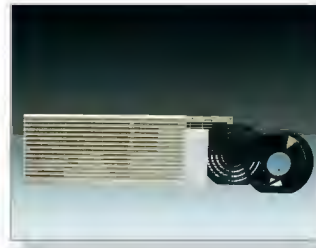
FU-9807C-(A)



FU-9807C

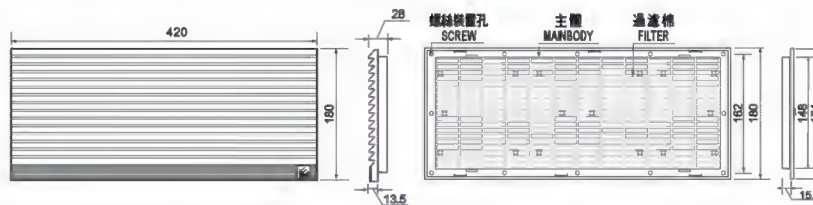
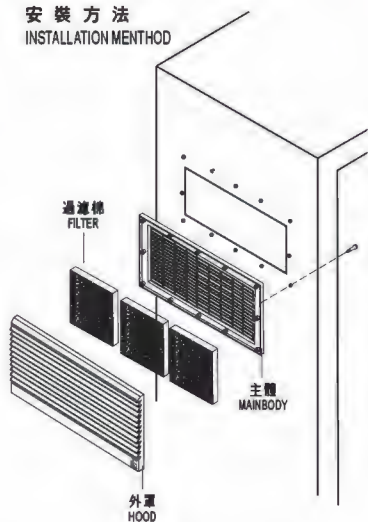


FU-9807C-(B)

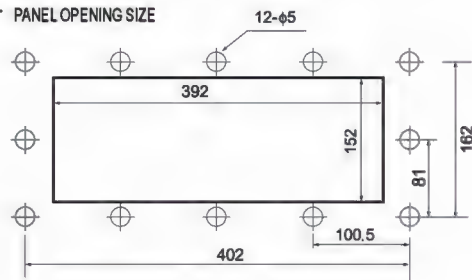


FU-9807C

安裝方法
INSTALLATION MENTHOD

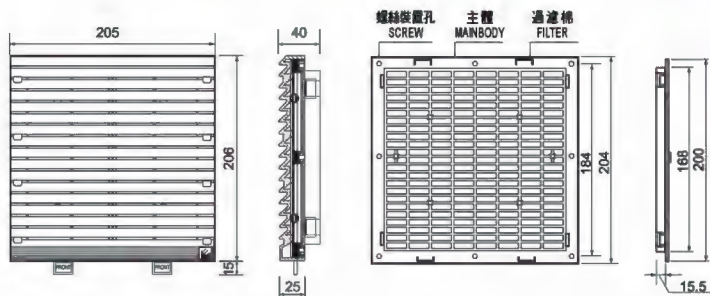


開孔尺寸 PANEL OPENING SIZE

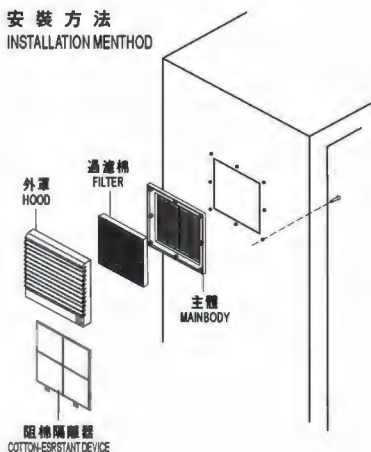


UNIT=mm

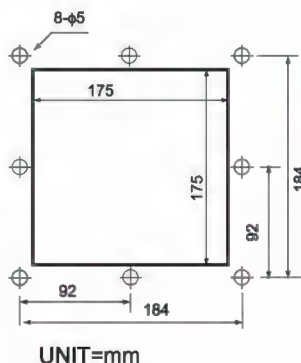
紡織設備控制櫃專用！ Uniquely used in the textile facilities!
 防塵！ 防水！ Dust-resistance! Water-resistance!
 防棉絮！ 三重防護新概念！ Cotton-resistance!
 New concept of triple-protection!



安裝方法
INSTALLATION MENTHOD



開孔尺寸
PANEL OPENING SIZE



功用 Function

- 紡織設備及特殊機械設備控制櫃專用。
- 徹底防止棉絮侵入控制櫃內部，無須工具，即可清除金屬阻棉隔離器上之棉絮及塵、屑。
- 搭配電氣控制櫃專用一密封墊圈（SGR系列）可有效提升IP值至IP54。
- Uniquely used in the textile facility and special mechanical control cabinet.
- Thoroughly prevent the cotton from going into the bottom of the cabinet. Clean up the cotton and dust on the cotton-resistance device simply without any tools.

材質 Material

- ABS樹脂材質，添加難燃及抗紫外線特性。
- 前置不鏽鋼材質阻棉隔離器，后置尼龍纖維和成樹脂，除塵率高達AFI 86%（AFI=JAPAN AIR FILTER INSTITUTE）。
- Inflammable and UV-resistance is ABS material.
- With stainless steel cotton-resistance device in the hood and Nylon.

創新設計 Innovative design

- 超薄型、快速安裝系統設計，保證最佳空氣流量。
- 通風口部採45度角創新設計，美觀大方。
- 三重防護新概念！（防塵、防水、防棉絮）
- Best air flow is ensured due to the Ultra thin and quick install system design.
- 45 degree angle design of the ventilator opening is new and good looking.
- New concept of triple-protection (Dust-resistance; water-resistance; cotton-resistance)

VENTILATOR FILTER UNIT & COOLING FAN

通風過濾網組與風機規格一覽表

Specification of the Ventilator Filter Unit & Cooling Fan

品名 Name	型號 Model	外形尺寸(露出部分) Size (outside) (mm)	有效風量 Air Flow (M ³ /Min)	最大風速 Air Speed (M/S;Max)	除塵率 Dust Removal Rate(%)	壓損範圍 Pressure Loss (Pa;H ₂ O)	使用範圍 Usage Area	*材質 Material	重量 Weight (g)	防護等級 Protection Class	匹配風機 Suited Fan Item	匹配螺絲 Suited Screw Item
Ventilator Filter Unit	FU9801A	ø105×6	8.00	1.5	80	2.5~20	indoor-10°C~55°C	*1	69	IP44	KA8025	M4×35mm(4pcs)
Rain-resistance hood	FU9801B	120×130×50	-	-	-	-	outdoor-10°C~55°C	*2	72	IP54	KA8038	M4×50mm(4pcs)
Cooling fan Unit	FU9801C-1(2)	-	0.58	1.5	80	2.5~20	indoor-10°C~55°C	*3	346	IP44	-	-
Ventilator Filter Unit	FU9802A	ø120×6	12.00	1.5	80	2.5~20	indoor-10°C~55°C	*1	80	IP44	KA9225	M4×35mm(4pcs)
Rain-resistance hood	FU9802B	135×140×50	-	-	-	-	outdoor-10°C~55°C	*2	83	IP54	KA9238	M4×50mm(4pcs)
Cooling fan Unit	FU9802C-1(2)	-	0.88	1.5	80	2.5~20	indoor-10°C~55°C	*3	340	IP44	-	-
Ventilator Filter Unit	FU9803A	148.5×148.5×13.5	25.00	2.0	86	6.7~20	indoor-10°C~55°C	*1	156	IP44	KA1225 KA1238	M4×35mm(4pcs) M4×50mm(4pcs)
Cooling fan Unit	FU9803C-1(2)	148.5×148.5×13.5	2.80	2.0	86	6.7~20	indoor-10°C~55°C	*3	707	IP44	-	-
Ventilator Filter Unit	FU9804A	204×204×13.5	50.00	2.0	86	6.7~20	indoor-10°C~55°C	*1	276	IP44	KA1725 KA1725/6 KA1723 KA17025	M4×65mm(2pcs) M4×65mm(2pcs) M4×50mm(4pcs) M4×65mm(2pcs)
Cooling fan Unit	FU9804C-1(2)	204×204×13.5	5.80	2.0	86	6.7~20	indoor-10°C~55°C	*3	1245	IP44	-	-
Ventilator Filter Unit	FU9805A	255×255×13.5	80.00	2.0	86	6.7~40	indoor-10°C~55°C	*1	436	IP44	KA1725 KA2206 KA2208 KA1606 (專配款9805) KA1806 M4×70mm(4pcs) (專配款9805)	M4×65mm(2pcs) M4×70mm(6pcs) M4×100mm(8pcs) M4×70mm(4pcs)
Cooling fan Unit	FU9805C-1(2)	255×255×13.5	10.20	2.0	86	6.7~40	indoor-10°C~55°C	*3	1960	IP44	-	-
Ventilator Filter Unit	FU9806A	320×320×13.5	120.00	2.0	86	6.7~40	indoor-10°C~55°C	*1	689	IP44	KA1725 KA2208 KA2509 KA2072	M4×65mm(2pcs) M4×100mm(8pcs) M4×100mm(8pcs) M4×85mm(4pcs)
Cooling fan Unit	FU9806C-1(2)	320×320×13.5	16.00	2.0	86	6.7~40	indoor-10°C~55°C	*3	2688	IP44	-	-
Ventilator Filter Unit	FU9807A	420×180×13.5	100.00	2.0	86	6.7~40	indoor-10°C~55°C	*1	518	IP44	KA1225,3PCS KA1238,3PCS KA1725,2PCS KA1723,2PCS KA1725,2PCS	M4×35mm(12pcs) M4×50mm(12pcs) M4×65mm(8pcs) M4×50mm(8pcs) M4×65mm(8pcs)
Cooling fan Unit	FU9807C(A)-1(2)	420×180×13.5	8.40	2.0	86	6.7~40	indoor-10°C~55°C	*3	2180	IP44	-	-
Cooling fan Unit	FU9807C(B)-1(2)	420×180×13.5	11.60	2.0	86	6.7~40	indoor-10°C~55°C	*3	2450	IP44	-	-
Ventilator Filter Unit	FU9804H	205×221×25	40.00	2.0	86	6.7~40	indoor-10°C~55°C	*1	2180	IP44	-	-
Cooling fan Unit	FU9804HC(A)-1(2)	205×221×25	2.80	2.0	86	6.7~40	indoor-10°C~55°C	*3	2450	IP44	-	-
Cooling fan Unit	FU9804HC(B)-1(2)	205×221×25	5.80	2.0	86	6.7~40	indoor-10°C~55°C	*3	2450	IP44	-	-

材質*1為ABS樹脂(難燃、耐紫外線特性)94V-0, UL防火級

Material *1-ABS resin inflammable UV-resistance Fire protection classification

材質*2為AES耐候型樹脂(Acrylonitrile Olefin Styrene)

Material *2-AES weather resistance resin

材質*3為外框(鎂合金)&扇葉(鎂合金)

Material *3-frame (Magnesium alloy) & impeller (Magnesium alloy)

3 in 1 & Finger Guard

3 in 1

1

FU-8808A/09A/12A


2

FU-8817A



圖例編號 Legend No.	規格 Specification	匹配的風機規格 Suited fan item
1	FU-8808A	KA8025, KA8038
1	FU-8809A	KA9225, KA9238
1	FU-8812A	KA1225, KA1238
2	FU-8817A	KA1725, KA1725/5, KA1723

Finger Guard

1

FU-8808B/09B


2

FU-8812B


3

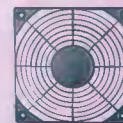
FU-8816B


4

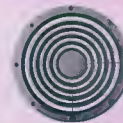
FU-8817B


5

FU-8818B/20B


6

FU-8822B/25B



圖例編號 Legend No.	規格 Specification	匹配的風機規格 Suited fan item
1	FU-8808B	KA8025, KA8038
1	FU-8809B	KA9225, KA9238
2	FU-8812B	KA1225, KA1238
3	FU-8816B	KA1606
4	FU-8817B	KA1725, KA1725/5, KA1723
5	FU-8818B	KA1806
5	FU-8820B	KA2072
6	FU-8822B	KA2206, KA2208
6	FU-8825B	KA2509

KAKU

導軌世家

DIN 導軌
鋼制與鋁制導軌

DIN RAIL
STEEL RAIL
ALUMINUM RAIL



PART-3

導軌世家

KAKU系列導軌之產品是按國際標準規格制作，具有外觀美、精度准、強度佳、質量保證等特性。
KAKU manufacture rails according International standard with excellent precision, strong intensity and so on.

鋼質系列導軌 Steel DIN rail

原材料是采用上海寶鋼冷軋鋼板、經電氣鍍鋅+鉻酸鈍化處理，耐腐蝕，鹽霧試驗測試達95Hr。
We use material from Shanghai BAO steel, through with Zn plating and chromate treatment, it's corrosion resistant, the results of Salt Spray Test is 95 hours!

鋁質系列導軌 Aluminum DIN rail

采用高強度鋁合金，經時效熱處理及氧化處理，增加其強度及耐腐蝕性。
We use strong intensity aluminum alloy(6063), through with aging heat treatment and oxidation treatment, intensity and corrosion resistant increased!

鍍鎳、鍍鉻導軌 Nickel-plate rail & Chromeplate rail

具有超強耐腐蝕之特性，鹽霧試驗測試達144Hr。
Supper corrosion resistant, the results of Salt Spray Test is 144 hours.

導軌切斷器 Rail Cutter

裁切導軌之專用工具。具有切割面光滑、無毛刺、省時省力、使用、攜帶方便之特性。
Specially use for cutting rail with smooth cutting face, it's very convenient for use and carry.

注意：鋼、鋁切斷器不可通用、型腔可自由選配。
PS: cutter for steel and for aluminum should not be fixed use.

SDR I 100AA / I 200AA

Steel DIN Rail 鋼製導軌

經濟加強型鋼製導軌

Economical Steel Rails

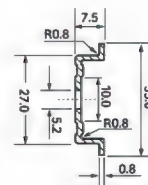
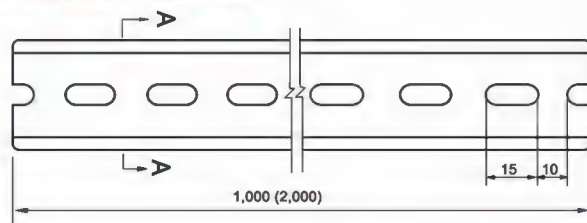
從控制盤設計到組立配線，可大幅度提升效率，降低成本！
The efficiency is increased! The cost is decreased!



- 經濟耐用
Durable quality
- 價格優廉
Competitive price
- 強度保證
Good intensity
- 精度準確
Excellent precision

型號 Model	材質 Material	長度 Length (mm)	包裝(根/盒) Package quantity (PCS)
SDR-1100AA	經電氣鍍鋅和鉻酸鈍化處理(冷軋鋼板)	1000	100
SDR-1200AA	Zn plating and chromate treatment	2000	40

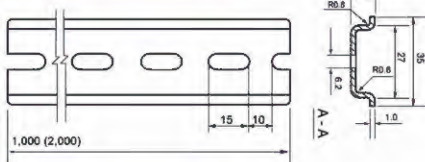
SDR-1100AA



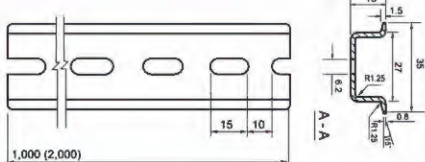
SDR- & SNS- SERIES

Steel DIN Rail 鋼製導軌

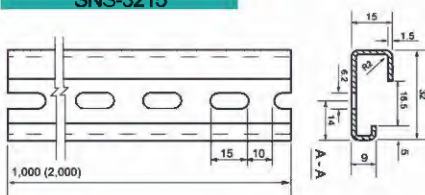
SDR-1100



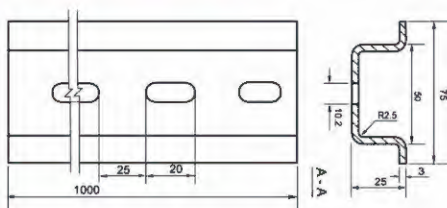
SDR-5100



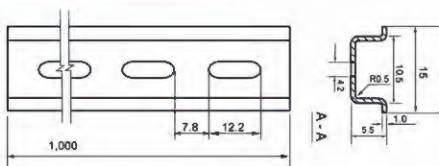
SNS-3215



SDR-7525



SNS-1500



從控製盤設計到組立配線，可大幅度提升效率，降低成本！
The efficiency is increased! The cost is decreased!



型號 Model	材質 Material	長度 Length (mm)	包裝(根/盒) Package quantity (PCS)
SDR-1100	經電氣鍍鋅和鉻酸鈍化處理 (冷軋鋼板) Zn plating and chromate treatment	1000	50
SDR-1200		2000	40
SDR-5100		1000	40
SDR-5200		2000	24
SNS-3215-1		1000	40
SNS-3215-2		2000	24
SNS-1500		1000	100
SDR-7525		1000	

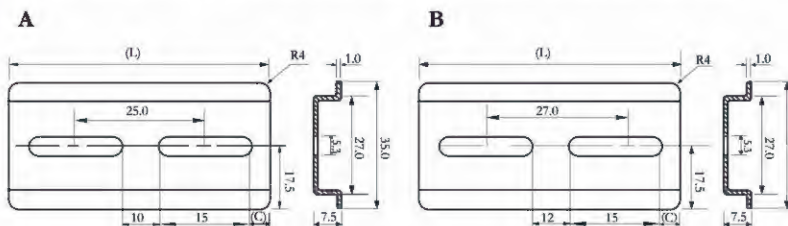
MENSURABLE DIN RAIL

Steel DIN Rail 鋼製定長導軌

MENSURABLE DIN RAIL



從控制盤設計到組立配線，可大幅度提升效率，降低成本！
The efficiency is increased! The cost is decreased!



定長鋼質導軌規格一覽表 Mensurable DIN rail list

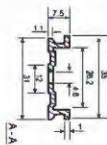
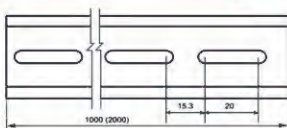
型號 Model	長度 Length (mm)	孔數 Quantity of holes	孔到邊距離 C Distance from bore to side (mm)	單位重量 Weight (g)	包裝(根/盒) Package quantity (PCS)	淨重 Net Weight (Kg)	圖例 Remark
SDR-1008	80.0	3	5.5	27.2	500	13.60	B
SDR-1010	100.0	4	5.0	34.0	500	17.00	A
SDR-1012	120.0	5	2.5	40.8	400	16.32	A
SDR-1015	150.0	6	5.0	51.0	400	20.40	A
SDR-1016	160.0	6	5.0	54.4	400	21.76	B
SDR-1020	200.0	8	5.0	68.0	300	20.40	A
SDR-1024	240.0	9	4.5	81.6	250	20.40	B
SDR-1025	250.0	10	5.0	85.0	250	21.25	A
SDR-1030	300.0	12	5.0	102.2	200	20.40	A
SDR-1035	350.0	14	5.0	119.0	200	23.80	A
SDR-1040	400.0	16	5.0	136.0	150	20.40	A
SDR-1045	450.0	18	5.0	153.0	150	22.95	A
SDR-1050	500.0	20	5.0	170.0	100	17.00	A
SDR-1055	550.0	22	5.0	187.0	100	18.70	A
SDR-1060	600.0	24	5.0	204.0	100	20.40	A
SDR-1065	650.0	26	5.0	221.0	100	22.10	A
SDR-1070	700.0	28	5.0	238.0	80	19.04	A
SDR-1075	750.0	30	5.0	255.0	80	20.40	A
SDR-1080	800.0	32	5.0	272.0	80	21.76	A
SDR-1085	850.0	34	5.0	289.0	70	20.23	A
SDR-1090	900.0	36	5.0	306.0	70	21.42	A

工藝流程：精密滾壓成型>定尺裁切>沖孔加工>電氣鍍鋅；電鍍工藝：電氣鍍五彩鋅工藝（電鍍鋅+鉻酸鈍化處理）；主要技術參數符合ISO-IEC國際標準
Process: exactly roll press> cut with mensurable ruler> punching process> Zinc plating; Plating: color Zinc plating or white Zinc plating; The parameter meets ISO-IEC standard.

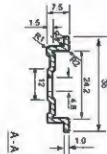
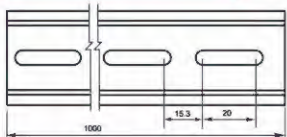
DR-, ANS-&KSG- SERIES

Aluminium DIN Rail 鋁合金導軌

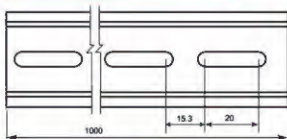
DR-1100



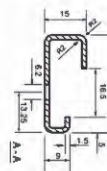
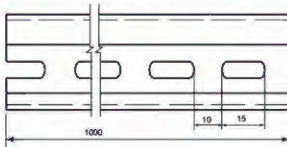
DR-5100



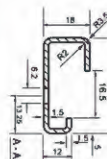
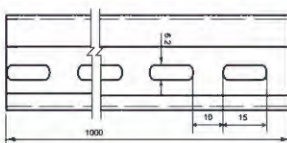
DR-8100



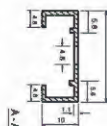
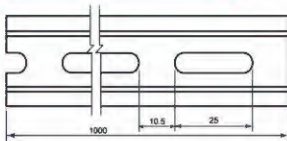
ANS-3215



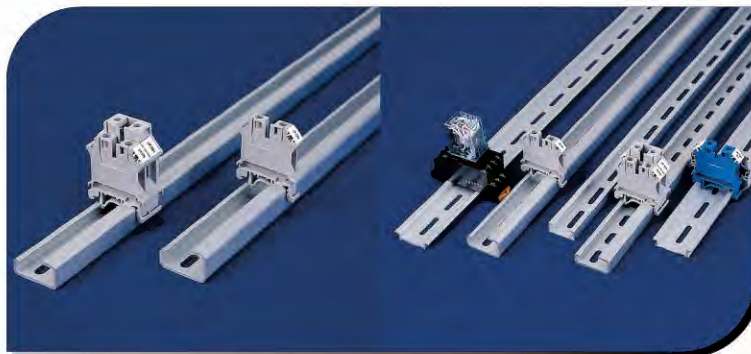
ANS-3218



KSG-2510



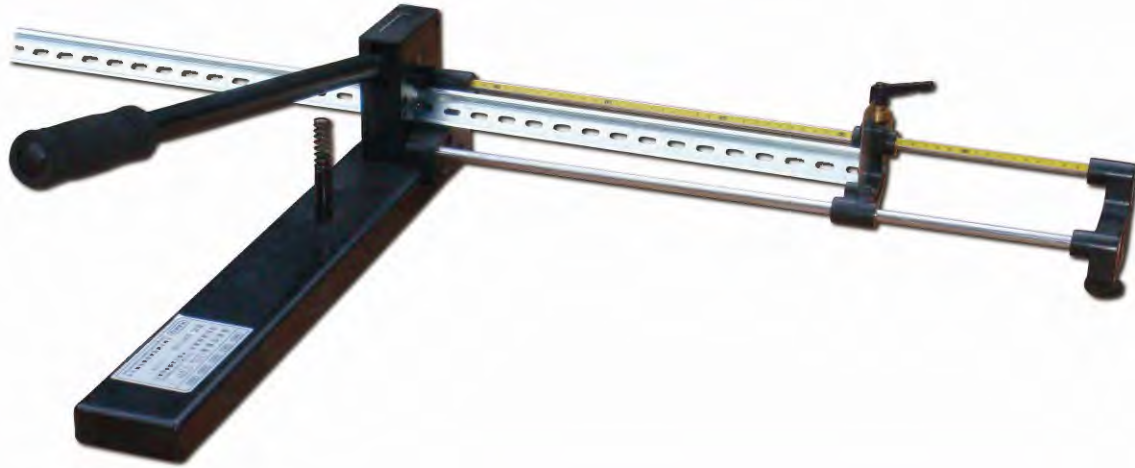
從控製盤設計到組立配線，可大幅度提升效率，降低成本！
The efficiency is increased! The cost is decreased!



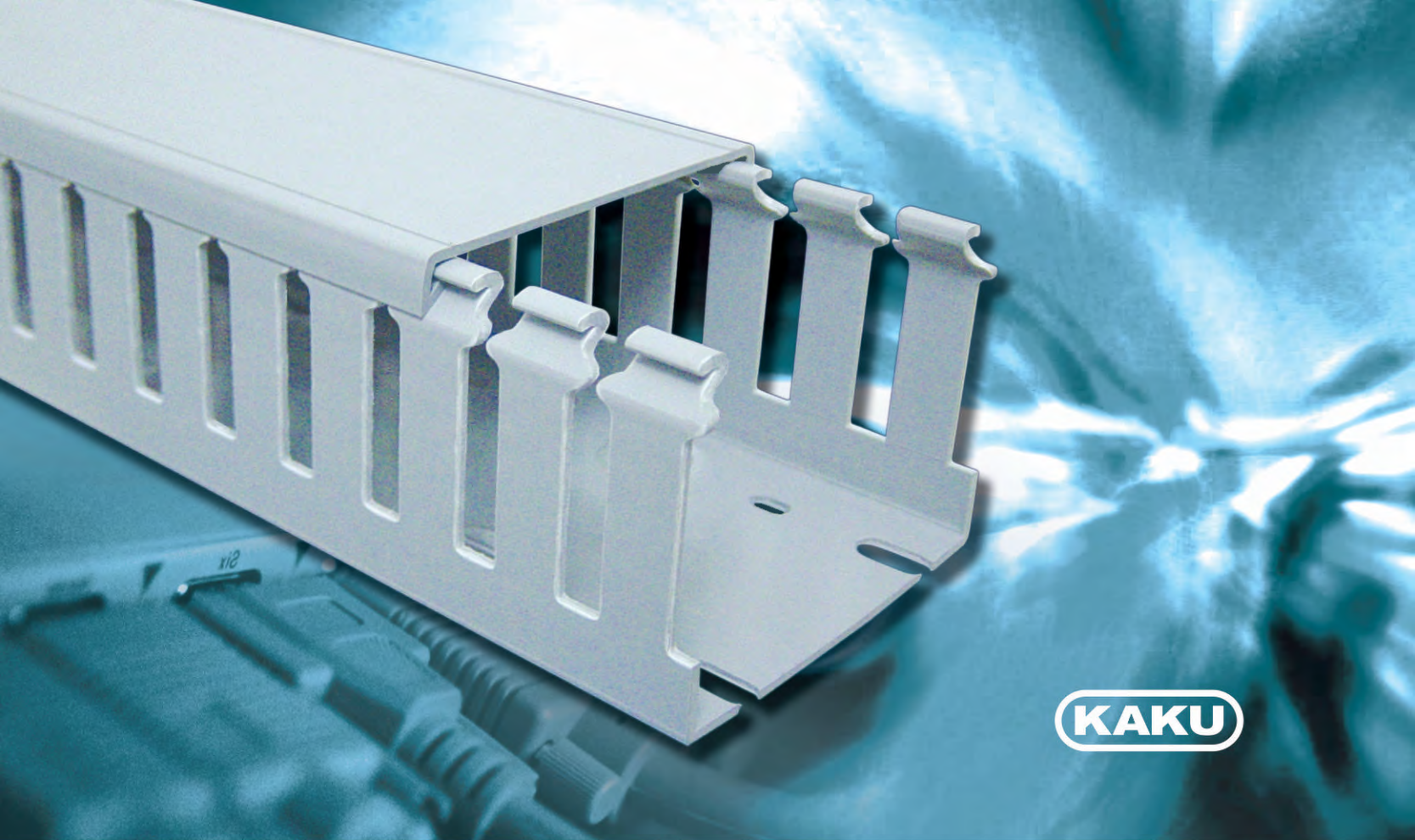
型號 Model	材質 Material	長度 Length (mm)	包裝(根/盒) Package quantity (PCS)
DR-1100	高強度鋁合金 (經封孔氧化處理) aging heat treatment and oxidation treatment	1000	100
DR-1200		2000	60
DR-5100		1000	100
DR-8100		1000	100
ANS-3215		1000	40
ANS-3218		1000	100
KSG-2510		1000	100

RAIL CUTTER

導軌切斷器



型號 Model	適用的導軌型號 Suited Din Rail Item	淨重 Weight
QDA-1	SDR-1100AA	4.90Kg
QDA-3	SDR-1100	9.30Kg
QDG-2	SDR-1100 SNS-1500	9.30Kg
QDG-4	SDR-1100 SNS-1500 SDR-5100 SNS-3215	15.00Kg
QDL-10	DR-1100	3.30Kg
QDL-11	DR-5100	3.30Kg
QDL-12	DR-8100	3.30Kg
QDL-20	DR-1100 ANS-3215	8.30Kg
QDL-21	DR-1100 ANS-3218	8.30Kg
QDL-22	DR-1100 KSG-2510	8.30Kg
QDL-23	DR-5100 ANS-3215	8.30Kg



KAKU

盤用綫槽系列
WIRING DUCT SERIES

PART-4

   **RoHS**



KAKU

PART-4

盤用線槽系列
WIRING DUCT SERIES

產品說明 Products introduction

產品材質 Material

環保硬質PVC，絕緣性良好，不助燃。環保無污染通過ROHS環保認證，不含鉛等有害物質。

Made of lead free PVC, with good insulates ability and non combustion-supporting. UL approved, free of harmful substance.

防火等級 Flammability rating

通過UL 94V-0，阻燃材料，良好自熄性，絕緣特性佳。

UL 94V-0, inflaming retarding material with good self extinguishing ability.

產品構造 Construction

由槽底及槽蓋組成。

Consist of base and cover.

顏色種類 Color

灰色（白色、藍色可特殊定製）。

Grey (white and blue can be customized).

工作溫度 Temperature

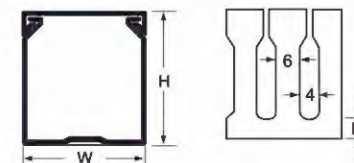
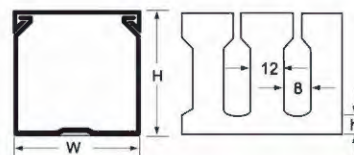
-20°C~85°C

產品特性 Products Features

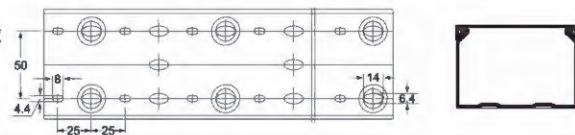
- 1 超過80種型號尺寸，並配有完整的線槽蓋。
80 kinds of models with complement of covers.
- 2 反扣式線槽蓋與線槽設計組合后絕不脫落，結合面光滑，方便迅速安裝，並可有效防止因震動而產生的滑移。
Non-slip cover stays in place during shipment, vibration. It's easy to install with a smooth surface.
- 3 底座兩側出孔相互對齊，任意處鋸斷或截成L型，均可保持盤面美觀整齊。
With aligned slot, cut with any surface can make sure a good looking of the panel.
- 4 線槽齒縱切面光滑，無毛刺，不劃傷手及擦損附近配線。
Smooth corners and edges will not damage or disfigure wires.
- 5 出線孔低，組合容易，拆卸簡單，易于配線。
Straight deep slots design, easy to install and disassembly.
- 6 多樣化的DIN標準安裝孔設計使得同樣的線槽有多種用途。
Versatile DIN standard mounting holes allow same duct for multiple application.
- 7 配線槽85°C溫度內不易斷裂、變形、變色，裝配省時便利。
No breakage, distortion and color change within the temperature of 85°C, leading easy installation.
- 8 提供各種方便快捷的切斷工具和配件。
Available in cutter and accessories.
- 9 多種顏色可選擇。
Available in different color.
- 10 UL, ROHS, CE 認證。
UL, ROHS, CE approved.



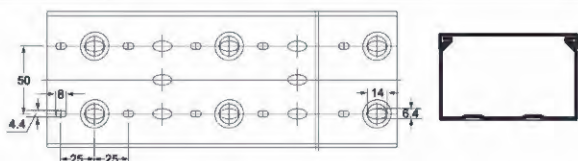
型號 Model	寬度 Width (W) (mm)	高度 Height (H) (mm)	底高 (h) Height of bottom (mm)	包裝 (米/盒) Package (M)		
KD SERIES	AD SERIES	KD SERIES	AD SERIES	KD SERIES	AD SERIES	
	AD2530	25	30	8		80
KD2540	AD2540	25	40	12	64	64
	AD2550	25	50	13		60
KD2560	AD2560	25	60	14	48	48
KD2580	AD2580	25	80	16	36	36
	AD3030	30	30	8		72
	AD3550	35	50	13		48
	AD3580	35	80	16		40
KD4040	AD4040	40	40	12	48	48
KD4060	AD4060	40	60	14	36	36
KD4080	AD4080	40	80	16	40	40
KD40100		40	100	18	32	
	AD5050	50	50	13		48
	AD5060	50	60	14		48
	AD5065	50	65	15		48
	AD5080	50	80	16		32
KD6040	AD6040	60	40	12	32	32
KD6060	AD6060	60	60	14	36	36
KD6080	AD6080	60	80	16	32	32
KD60100		60	100	18	24	24
KD8040	AD8040	80	40	12	32	32
	AD8050	80	50	13		36
KD8060	AD8060	80	60	14	24	24
KD8080	AD8080	80	80	16	24	24
KD80100		80	100	18	16	
KD10040	AD10040	100	40	12	32	32
KD10060	AD10060	100	60	14	24	24
KD10080	AD10080	100	80	16	16	16
KD100100		100	100	18	16	
KD12080		120	80	16	16	
KD120100		120	100	18	16	
KD150100		150	100	18	8	



線槽底部位孔圖
80mm, 100mm, 120mm寬
Bottom punching drawing
80mm, 100mm, 120mm wide



線槽底部位孔圖
150mm寬
Bottom punching drawing
150mm wide



* 標準長度為2米，可提供定長服務；標準顏色為灰色，另有藍色、白色可特殊定做。

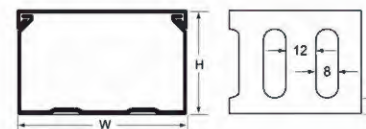
Standard length is 2 metres in grey, Blue and white can be customized.

UD & OD SERIES

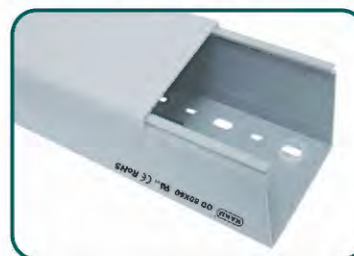
*表中“底高”數值僅適用於UD SERIES

型號 Model	UD SERIES	OD SERIES	寬度 Width (W) (mm)	高度 Height (H) (mm)	*底高 (h)(mm) Height of bottom (UD SERIES ONLY)		包裝(米/盒) Package (M)	
					UD SERIES	OD SERIES	UD SERIES	OD SERIES
UD2540	UD2540	OD2530	25	30	8		64	64
UD2560	UD2560	OD2540	25	40	12		48	48
UD2580	UD2580	OD2560	25	60	14		36	36
		OD2580	25	80	16			
		OD3030	30	30	8		48	48
UD4060	UD4060	OD4040	40	40	12		36	36
UD4080	UD4080	OD4060	40	60	14		40	40
UD4100	UD4100	OD4080	40	80	16		32	32
		OD4100	40	100	18			
UD6060	UD6060	OD6040	60	40	12		32	32
UD6080	UD6080	OD6060	60	60	14		24	24
UD6100	UD6100	OD6080	60	80	16		24	24
		OD6100	60	100	18			
UD8060	UD8060	OD8040	80	40	12		32	32
UD8080	UD8080	OD8060	80	60	14		24	24
UD8100	UD8100	OD8080	80	80	16		16	16
		OD8100	80	100	18			
UD10060	UD10060	OD10040	100	40	12		24	24
UD10080	UD10080	OD10060	100	60	14		16	16
UD10100	UD10100	OD10080	100	80	16		16	16
		OD10100	100	100	18			
		OD12080	120	80	16			
		OD120100	120	100	18			
UD150100	UD150100	OD150100	150	100	18	8	8	8

UD SERIES



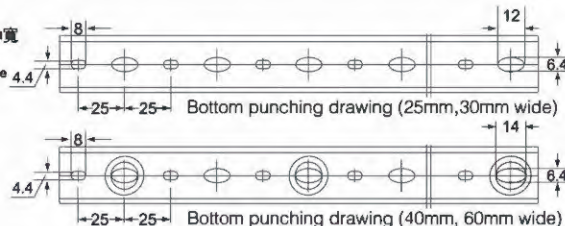
OD SERIES



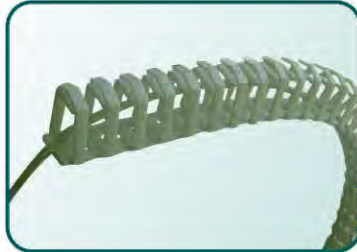
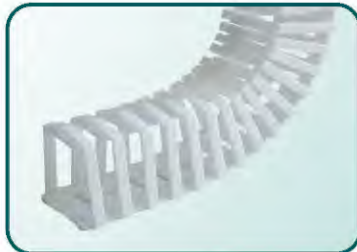
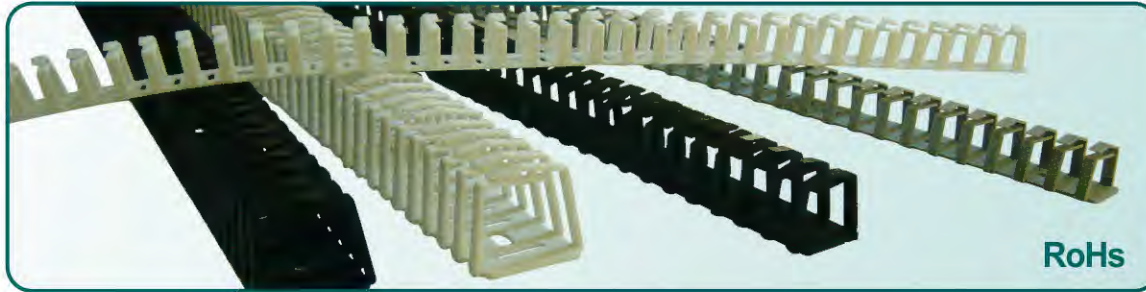
* 標準長度為2米，可提供定長服務；標準顏色為灰色，另有藍色、白色可特殊定做。
Standard length is 2 metres in grey, Blue and white can be customized.

線槽底部孔圖
25mm, 30mm, 40mm, 60mm寬

Bottom punching drawing
25mm, 30mm, 40mm, 60mm wide



FLEXIBLE DUCT SERIES

**產品特點 Characteristic**

特殊設計的撥開式線槽具有靈活多變、回彈性好；可為你櫃體內電線之捆扎提供有效的解決方案。使控制櫃及電子設備的過門線控制變得簡單、易行；可有效避免過門線倚靠在門上，降低安全隱患，易于拆卸及維修。

Flexible Duct is a unique product offering from KAKU that is a flexible, reliable and efficient solution to your bundling needs. Provide a good control of wiring to cabinet doors, for control panels and for electronic equipment. For that part of the cable easy to leans against the side of the control cabinet. It is also easy to disassemble and maintenance.

產品材質 Material

選用無毒、阻燃的尼龍（PA）66，環保無污染。
Nylon(PA)66, self-extinguishing, non-toxic, free of harmful substance..

產品認證 Certification

RoHs

顏色種類 Color

備有灰色、白色及黑色供客戶選擇，特殊顏色可定做。
White, grey & black. Special color can be customized.

標準長度 Standard Length

500mm

工作溫度 Operation Temperature

-20°C ~ 120°C

- 由于撥開式線槽材質本身的靈活性，可輕易從線槽內部取出或加入配線。
Due to the flexibility of the material individual wires can be added or removed from total wires within the duct.
- 此撥開式線槽無需線槽蓋，可允許在有限的空間裡方便布線，無需使用布線扎帶。
Since flexible duct has no cover it can accommodate cables in restricted space applications and also effectively removes the need for cable ties.
- 此線槽在120°C溫度內不易斷裂、變形、變色。
No breakage, distortion and color change within the temperature of 120°C.
- 此線槽可用剪刀或者其他刀具切割至理想長度。
The duct can be cut to desired length using scissors or knife.

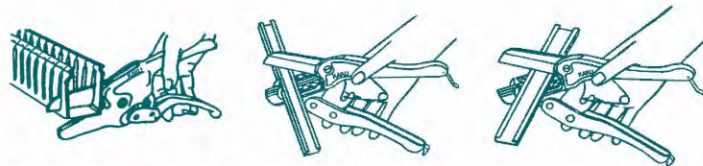
型號 Model	線槽尺寸（寬×高mm） Duct Size (W × H mm)	裝箱數量 Qty. Per Carton
FD-20 (W/B/G)	20 × 20	500mm × 100pcs
FD-30 (W/B/G)	30 × 30	500mm × 100pcs
FD-40 (W/B/G)	40 × 40	500mm × 100pcs

*W-白色, B-黑色, G-灰色



WBC-10

WDCS-A/B



橫剪 (WBC-10) 適用於50mm以下線槽之裁切, 豎剪 (WDCS-A/B) 適用於線槽齒之剪切。
Duct with a width off 50mm can be cut with WBC-10 cutting tool; hand held duct finger cutting tool (WDCS-A/B) is available to cut the finger.

*WDCS-A適用於齒寬為12mm之線槽, WDCS-B適用於齒寬為6mm之線槽。

*WDCS-A cut finger size with the width in 12mm, WDCS-B cut finger size with the width in 6mm.



WBC-100

WBC-100適用於寬度在50mm ~ 100mm之間線槽之裁切。
Cut duct size with the width between 65mm to 100mm.

材質採用高強度日本進口不鏽鋼刀片, 可長久使用不易損壞。
High strength stainless steel imported from Japan, with long life expectancy and no easy to damage.

可快速裁切線槽, 提高工作效率, 切口光滑無毛刺。刀口處設有安全鎖扣, 提高使用和儲存的安全係數。

Cut the duct with a easy way, raise the efficiency; cut surface is clean and no burr. The safe lock design of the blade can enhance the safety when using and by storage.



標記卡牌

配合線槽使用, 便于元器件編號的標示, 安裝方便快捷。由黑色PP與透明PMMA組合而成, 清晰度高, 耐溫性佳。

Good management of the components labelling. Consist of black PP and transparent PMMA with a good definition and perfect temperature resistance.



WBC-100AA

PART-1

FANS

PART-1.1 AC FANS

- Impedance protected
 - 01 KA8025
 - 02 KA8038
 - 03 KA9225
 - 04 KA9238
 - 05 KA1225
 - 07-10 KA1238
 - 11 KA12738
 - 12 KA1525
 - 13-17 KA1725
- Thermally protected
 - 18 KA15023
 - 19-20 KA15025
 - 21 KA17023
 - 22-23 KA17025
 - 24-26 KA1725/5
 - 27 KA1606
 - 28-29 KA1806
 - 30-31 KA2206
 - 32-33 KA2208
 - 34-35 KA2509
 - 36-37 KA2072
- H.T.R fan
 - 38 KA1238
 - 39 KA1523
 - 40 KA1525
 - 41 KA1723
 - 42 KA1725
 - 43-44 KA1725/5
 - 45 KA2206
 - 46 KA2509
- Thermally protected
 - 47 KA15023
 - 48 KA15025
- Temperature controller
 - 49 TC-001
- Temperature controller
 - 50 TC-001

PART-1.2 DC FANS

- 53 AD8025
- 54 AD9225
- 55 AD12025
- 56 AD12038

PART-2

VENTILATOR FILTER UNIT

- 60 FU9801/02A&C
- 61 FU9801/02B
- 62 FU9803A&C
- 63 FU9804A&C
- 64 FU9805A&C
- 65 FU9806A&C
- 66 FU9807A&C-A(B)
- 67 FU9804H(C)-A(B)
- 69 3 in1 & Finger Guard

PART-3

Rail SERIES

- Steel Rail
 - 72 SDR1100/1200AA
 - 73 SDR1100/1200
 - SDR5100/5200
 - SNS3215-1/-2
 - SNS1500
 - SNS7525
- 74 Mensurable DIN Rail
- Aluminium Rail
 - 75 DR1100/1200
 - DR5100
 - DR8100
 - DR-3215
 - DR-3218
 - KSG-2510
- Rail Cutter
 - 76 QDA-1 & QDA-3
 - QDG-2 & QDG-4

PART-4

WIRING DUCT

- Wiring Duct
 - 79 KD & AD
 - 80 UD & OD
 - 82 Flexible Duct
- Wiring Cutter
 - 83 WDCS-A/B
 - WBC-10
 - WBC-100/100AA
 - WBC-100/100AA

Quick Search

KAKU KAKU®

www.shkaku.com