

## WE935B00 Module

Single-Band (2.4 GHz) Embedded Wi-Fi, 1X1, 802.11 b/g/n, module with integrated antenna

### Description

WE935B00 module from Wi2Wi's EM series is a best in class single-band (2.4GHz) high performance embedded Wi-Fi module. This highly integrated plug and play, embedded Wi-Fi module with chip antenna and MHF4 IPEX connector includes dedicated microcontroller, MAC, baseband, RF transceiver, power amplifier, crystal, Tx/Rx switch, filter and OTP memory for calibration data and MAC address. WE935B00 (serial-to-WiFi module) is a complete wireless subsystem in a small form factor, featuring full 802.11 b/g/n capabilities with embedded Wireless LAN (WLAN) stack, supplicant and TCP/IP stack. By completely off-loading the external Microcontroller (MCU) from wireless and Networking Stack activities, user can dedicate the external host for application development and significantly reduce their time to market and R&D cost. This WLAN module supports UART, SPI and USB\* host interfaces and comes in various operating temperatures and certified to FCC, CE and IC.



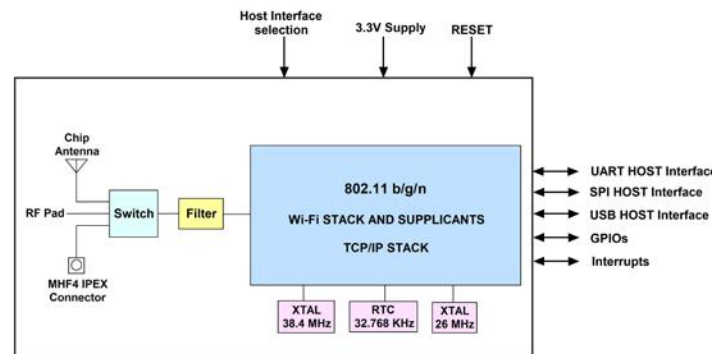
QFN-64 Footprint: 15 mm x 16.5 mm x 1.86 mm

### Features

- ✦ Small footprint: 15 mm x 16.5 mm x 1.86 mm
- ✦ Compliant to IEEE 802.11b/g/n Wi-Fi, 1x1 SISO
- ✦ 20 MHz Channel Bandwidth
- ✦ UART, SPI, USB\* Host Interfaces
- ✦ UART with hardware flow control
- ✦ Supports Station Mode, Access Point Mode and Con-current (simultaneous AP + Station) Mode
- ✦ Supports Open, WPA/WPA2-PSK & WEP (WEP in Station mode only)
- ✦ Supports 4 Stations/Clients in AP Mode
- ✦ Supports 10 TCP/UDP sockets which includes 2 SSL Sockets, 1 dedicated Web server and 1 dedicated HTTP Client
- ✦ Onboard chip Antenna + MHF4 IPEX connector
- ✦ Support for IEEE Power-Save Mode.
- ✦ Host Controlled Sleep wake pins
- ✦ Support for Antenna Diversity
- ✦ Maximum transmit power up to 18 dBm
- ✦ Receive Sensitivity -97 dBm
- ✦ Single power supply operation, 3.3V DC
- ✦ Available in industrial (-40°C to +85°C), extended (-30°C to +85°C) and commercial (0°C to +70°C) operating temperature variants

### Applications

- ✦ Industrial Sensor controller
- ✦ Medical monitoring equipment
- ✦ Vehicle rear view camera
- ✦ Warehousing and logistics handhelds
- ✦ Smart homes
- ✦ Smart energy
- ✦ Data logger



Block Diagram

\* - USB interface support will be provided on request basis and is not available with general firmware.

### Specification

Wi-Fi IEEE 802.11	: b/g/n, Single-Band (2.4GHz)
Available Channels	: Channels 1-14
Channel Bandwidth	: 20 MHz
802.11b Data Rates	: DSSS Modulation: 1 and 2 Mbps CCK Modulation: 5.5 and 11 Mbps
802.11g Data Rates	: OFDM Modulation: 6, 9, 12, 18, 24, 36, 48 and 54 Mbps
802.11n Data Rates	: MCS0-MCS7 (up to 72.2 Mbps)
Max Transmit Power	: up to 18 dBm
Receive Sensitivity	: -97 dBm
Host Interfaces	: UART, SPI, USB*
Host Interface Selection	: Host selection through host configuration pins (hardware)

### Firmware Upgrade

UART Firmware Upgrade  
Wireless Firmware Upgrade

### Software Features

Modes of Operation	: Station/Client and Access Point : Supports 4 clients in AP Mode
Security Algorithms	: WPA (TKIP, AES), WPA2 (TKIP, AES) and WEP
Network Protocols	: TCP, ARP, UDP, IPv4, DHCP, DNS, HTTP, DNS-SD, SSL
UART Baud Rates	: 9600bps to 12.5 Mbps (standard bauds as mention in User Guide) with Auto baud rate detection feature
Configuration	: Configuration command set over

### Host Interfaces

UART	: Upto 12.5 Mbps baud with H/W flow control
SPI	: 25 MHz

### Electrical Data

Power Supply	: 3.0V DC – 3.6V DC
--------------	---------------------

### Certifications

FCC	: 15C
IC	: RSS-247
CE	: EN 300 328 v1.9.1, EN 301 489-1 v1.9.2 EN 301 489-17 v2.2.1, EN 60950-1 (Ongoing)

### Part Ordering

WE935B00-I3QT	: Industrial (-40°C to +85°C), on Tray
WE935B00-E3QT	: Extended (-30°C to +85°C), on Tray
WE935B00-C3QT	: Commercial (0°C to +70°C), on Tray
WE935B00-I3QR	: Industrial (-40°C to +85°C), on Reel
WE935B00-E3QR	: Extended (-30°C to +85°C), on Reel
WE935B00-C3QR	: Commercial (0°C to +70°C), on Reel

### Development Kits

WE935B00-EVK3	: WE935B00-I3 Module on Evaluation Board, 2.4 GHz Rubber-Duck Antenna, MHF4 IPEX connector cable and USB-A/Micro-AB Cable
---------------	--

### Additional Information:

For the latest collaterals, please visit the Wi2Wi Extranet  
Portal at: <http://www.wi2wi.com/mgr/>