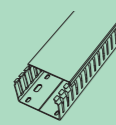
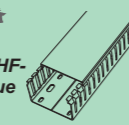
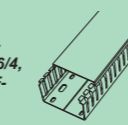
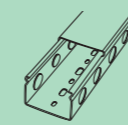
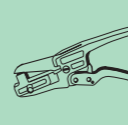
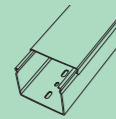
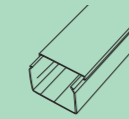


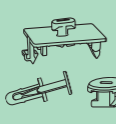
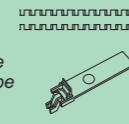
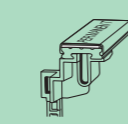

C1 - Slotted cable trunking

**C1/1** Cable trunking GN-A6/4 LF, GN-HF-A6/4, GN-A6/4 blue  **C1/2** Cable trunking GF-DIN-A7/5, GF-DIN-A6/4, GF-DIN-SH-A7/5, GF-DIN-C-A12/8  **C1/3** Cable trunking GF-A12/8  **C1/5** Cable trunking with perforations GF-DIN PPDA  **C1/90** Special cutting tools for conduit trunkings 


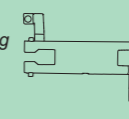
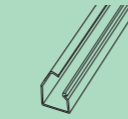
C2 - Cable trunking without slots

**C2/1** Cable trunking GN-S LF, GN-HF-S  **C2/2** GF-DIN-SH-S plain and without base punching 

C3 - Cable trunking accessories

**C3/1** Rivet and tools - lock studs - double sided adhesive tape  **C3/5** Retaining clip PLIO  **C3/6** PLIO label holders for trunkings  **C3/7** DC 125 Cutter 

C4 - Cable trunking for installation

**C4/1** Installation trunking SES type GI-A, GI-B, GI-VIDEO  **C4/5** Locking carriers BV  **C4/6** GI-M miniature trunkings 

C6 - Miscellaneous retaining products

**C6/1** PLIOFLEX Flexible trunking  **C6/2** Cable clips XE  **C6/3** PLIOLINE protection channel for underground cables and utility poles  **C6/4** Profil for tote board 



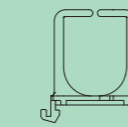

C9 - Cable lacing and tying

**C9/1** PLIO perforated strapping and mounting tool  **C9/1** HELAVIA rubber strapping and mounting base  **C9/1** Accessories for strapping  **C9/6** ABSA lacing cord 







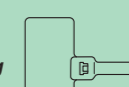
C10 - Cable ties








**C10/1** miniature cable SES-CM and SES-CU  **C10/3** SES-CX adjustable "P" clips  **C10/4** SES-CV and CN "P" clips  **C10/5** SES-SP and SES-CT clamps with adhesive base  **C10/20** Adhesive cable clamps SES-GFB in aluminium and SAF in galvanized steel  **C10/30** SES set screws in natural Polyamide 





C11 - Fixing accessories

**C11/1** Cable lock with rivet  **C11/2** Cable lock to screw  **C11/3** Cable lock to clip  **C11/4** Cable guide PLIOCATCH DELTA 

C12 - SES-QUICK cable ties

**C12/1** SES-QUICK SL cable ties for general use  **C12/2** SES-QUICK SE cable ties outside serrations  **C12/3** cable tie SES-QUICK SL MDE and SL MDE PP  **C12/4** SES-SX cable ties for fast application  **C12/5** SES-QUICK snap-in cable ties  **C12/6** SES-QUICK cable ties with mounting hole  **C12/7** SES-QUICK cable ties with write-on areas 

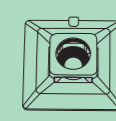


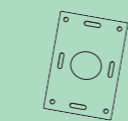
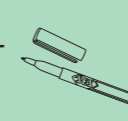
**C12/13** SES-QUICK SL cable ties in polyamide 6,6, coloured  **C12/15** releasable SES-SDA cable ties  **C12/16** releasable SES-SDB cable ties  **C12/17** releasable CR cable ties  **C12/20** SL - HT cable ties for outdoor use, high temperatures  **C12/21** SE HT cable ties, external serrations, for use at high temperatures  **C12/22** SR HT cable ties, releasable, for use at high temperatures 

**C12/23** SES-QUICK SL-V0 and SE-V0 cable ties, flame resistant  **C12/24** SES-QUICK SL - PA12 black cable ties for outdoor use  **C12/25** SL brown in PP resistant to acid  **C12/26** Cable ties SES-QUICK BIO in polyester biodegradable 

C13 - Various cable ties

**C13/1** PLIO-GRAINS cable ties  **C13/2** Cable ties CB and SF in natural Polyethylene  **C13/4** SES-TW twist cable ties  **C13/20** SES-WRAP ties - plastic tie - self fastening  **C13/30** Metallic ties  **C13/31** SES-PLIOTER earth straps 

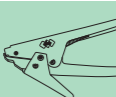
C14 - Cable tie accessories

**C14/1** cable tie bases SES-QUICK  **C14/2** accessories and tie bases SES-QUICK  **C14/3** Cable supports and tie bases  **C14/4** SES-QUICK write-on plates  **C14/5** QUICK-MARKERS pens 

C15 - Cable ties for installations

**C15/1** SM12, SM6 and SM66+ lashing ties  **C15/2** SES-SC cables ties for cable trays  **C15/3** Accessories - SES bases for SL, SE, SR and SM lashing ties 

C16 - Manual cable tie tools

**C16/1** Manual tool for SES-QUICK cable ties 

GROUP C: Cable trunking and binding material





# C1

## Cable trunking with slots punching



# Cable trunking SES with slots and base punching

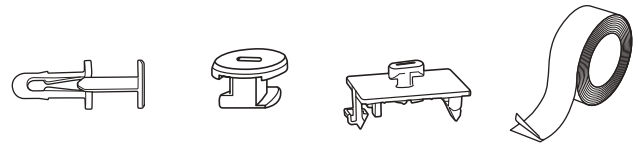


## Trunking programme:

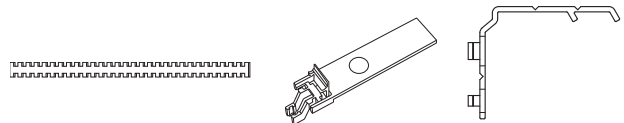
Page	Type	Height in mm	Width in mm	Specifications
• C1/1-01	GN-A6/4 LF	30-40-60-80-100	25-30-40-60-80-100-120-150	LF
• C1/1-03	GN-HF-A6/4	30-40-60-80-100	25-30-40-60-80-100	HF LF
• C1/1-05	GN-A6/4 blue	30-40-60-80-100	25-30-40-60-80-100	LF
• C1/2-01	GF-DIN-A7/5	23-35,5-48-73	23-35,5-48-73-98-123	LF
• C1/2-01	GF-DIN-A6/4	100	48-73	LF
• C1/2-03	GF-DIN-SH-A7/5	23-35,5-48-73	23-35,5-48-73-98-123	HF LF
• C1/2-05	GF-DIN-C-A12/8	35,5-48-73	23-35,5-48-73-98-123	LF
• C1/3-01	GF-A12/8	100	100-150	LF
• C1/5-01	GF-DIN-PPDA	48	48-73-98-123	with round knock-outs
• C1/5-03	Trunking with special slots and base punching, special length.			

## Accessories:

- C3/1 PLIO rivets and SES-GO rivet punch  
PLIO-GZ lock studs  
PLIO-GZ clamping bracket  
PLIOBANDE double sided adhesive tape



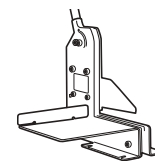
- C3/5 PLIO-GX retaining clip  
PLIO-GX bridging clips  
BR-GN retaining clip



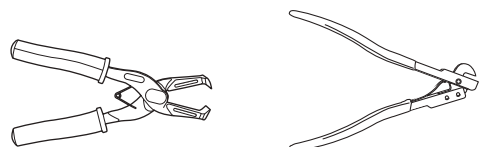
- C3/6 PLIO label holder



- C3/7 DC 125 cutter



- D4/6-01 DK-55 cutting tool for trunking webs  
DK-60 nibbling tool for trunking



# Cable trunking SES with slots and base punching



GN-A6/4 LF

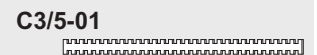
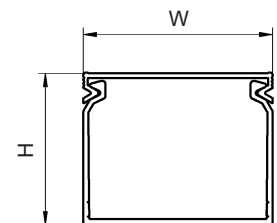


## GN-A6/4 LF

**Material:** Rigid PVC quality 9051 LF  
**Colour:** grey RAL7030  
**Operating temperatures:** -5 to +65°C  
**Density:** 1,56  
**Volume resistivity:** 10<sup>15</sup> Ω.cm  
**Dielectric strength:** 15kV/mm  
**Spécification:** V0 UL94  
 DIN 5510-2 S3, SR1, ST2  
**Standard length:** 2 meters  
**Double sided adhesive:** upon request  
**Minimum delivery:** 1 complete packing (with lids)



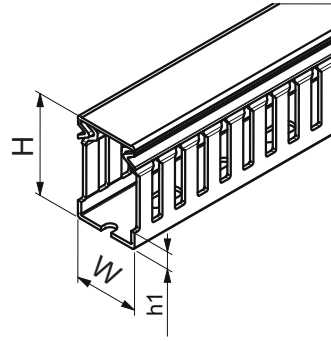
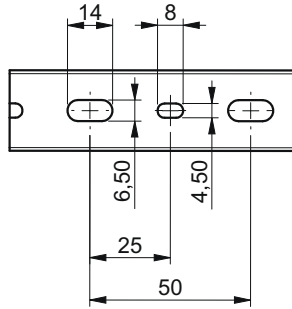
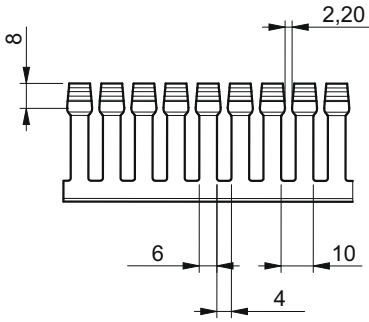
type	trunking		m	outside dim.		cables per trunking (filling 50%)			lids	
	art. no.	art. no.		H mm	W mm	1 mm <sup>2</sup>	1,5 mm <sup>2</sup>	2,5 mm <sup>2</sup>	(alone) art. no.	m
GN-A6/4	30 x 25	0839 0131 013	60	30	25	37	31	26	0839 0500 013	48
GN-A6/4	30 x 40	0839 0132 013	36	30	40	68	56	47	0839 0510 013	24
GN-A6/4	40 x 25	0839 0141 013	48	40	25	52	43	36	0839 0500 013	48
GN-A6/4	40 x 30	0839 0146 013	36	40	30	66	54	45	0839 0505 013	24
GN-A6/4	40 x 40	0839 0142 013	32	40	40	94	77	64	0839 0510 013	24
GN-A6/4	40 x 60	0839 0143 013	24	40	60	149	122	102	0839 0520 013	24
GN-A6/4	40 x 80	0839 0144 013	24	40	80	204	168	140	0839 0530 013	24
GN-A6/4	40 x 100	0839 0145 013	12	40	100	259	213	178	0839 0540 013	12
GN-A6/4	60 x 25	0839 0151 013	48	60	25	80	66	55	0839 0500 013	48
GN-A6/4	60 x 30	0839 0157 013	40	60	30	102	83	70	0839 0505 013	24
GN-A6/4	60 x 40	0839 0152 013	32	60	40	144	118	99	0839 0510 013	24
GN-A6/4	60 x 60	0839 0153 013	24	60	60	229	188	157	0839 0520 013	24
GN-A6/4	60 x 80	0839 0154 013	16	60	80	313	257	215	0839 0530 013	24
GN-A6/4	60 x 100	0839 0155 013	16	60	100	398	327	273	0839 0540 013	12
GN-A6/4	60 x 120	0839 0156 013	12	60	120	483	397	332	0839 0550 013	12
GN-A6/4	80 x 25	0839 0161 013	24	80	25	107	88	74	0839 0500 013	48
GN-A6/4	80 x 30	0839 0167 013	24	80	30	136	112	94	0839 0505 013	24
GN-A6/4	80 x 40	0839 0162 013	24	80	40	193	159	133	0839 0510 013	24
GN-A6/4	80 x 60	0839 0163 013	24	80	60	308	253	211	0839 0520 013	24
GN-A6/4	80 x 80	0839 0164 013	16	80	80	422	347	290	0839 0530 013	24
GN-A6/4	80 x 100	0839 0165 013	12	80	100	537	441	369	0839 0540 013	12
GN-A6/4	80 x 120	0839 0166 013	16	80	120	652	535	447	0839 0550 013	12
GN-A6/4	100 x 30	0839 0170 013	32	100	30	169	138	116	0839 0505 013	24
GN-A6/4	100 x 40	0839 0171 013	24	100	40	240	198	165	0839 0510 013	24
GN-A6/4	100 x 60	0839 0172 013	16	100	60	384	316	264	0839 0520 013	24
GN-A6/4	100 x 80	0839 0173 013	16	100	80	529	435	363	0839 0530 013	24
GN-A6/4	100 x 100	0839 0174 013	16	100	100	673	553	462	0839 0540 013	12
GN-A6/4	100 x 150	0839 0175 013	8	100	150	1034	849	710	0839 0560 013	12



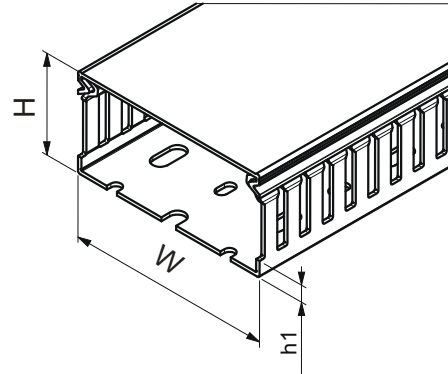
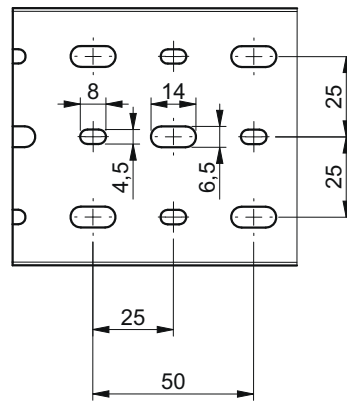
**GN-A6/4 LF**

**H = 30 mm**  
**H = 40 mm**

W 25, 30, 40, 60

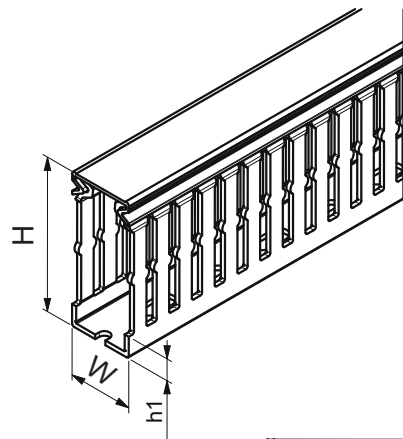
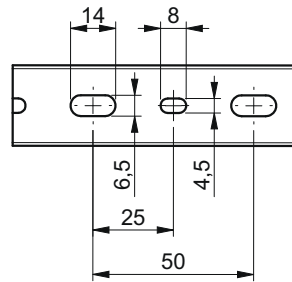
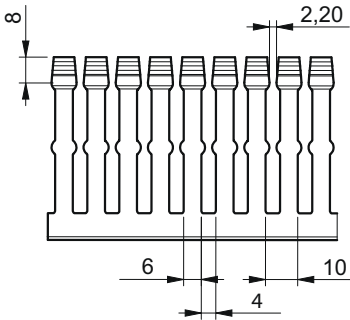


W 80, 100

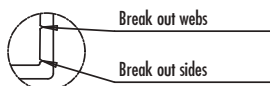
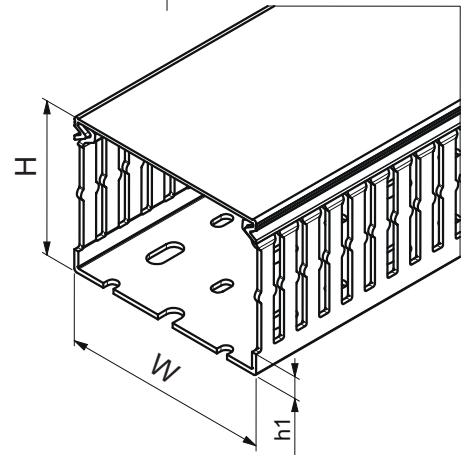
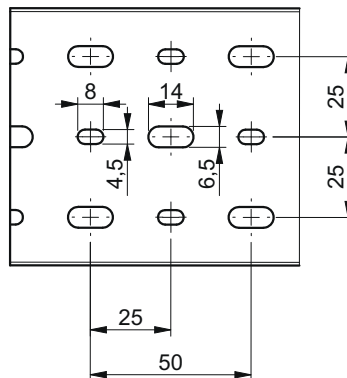


**H = 60 mm**  
**H = 80 mm**  
**H = 100 mm**

W 25, 30, 40, 60



W 80, 100, 120, 150



Base punching to NF EN 50085

H (mm)	30	40	60	80	100
h1 (mm)	5	7	9	11	16

# Cable trunking SES with slots and base punching

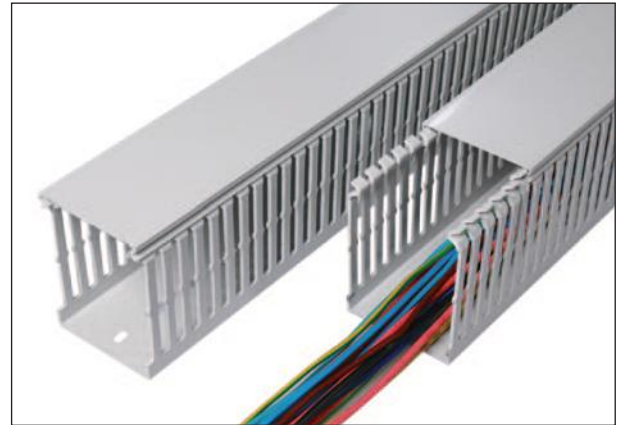




GN-HF-A6/4

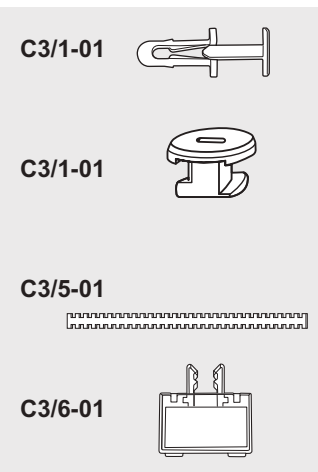
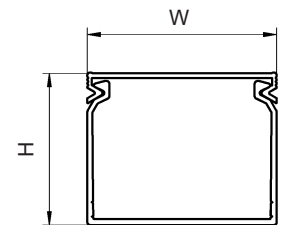


## GN-HF-A6/4

**Material:** PC/ABS, halogene free  
**Colour:** light grey RAL7035  
**Operating temperatures:** -25 to +90°C  
**Volume resistivity:** 10<sup>15</sup> Ω.cm  
**Dielectric strength:** 35kV/mm  
**Specification:** V0 UL94  
 NF F 16-101/102 : I3/F2  
 DIN 5510-2 : S4-SR2-ST2  
 EN 45545-2 : R22 HL3, R23 HL3  
**Standard length:** 2 meters  
**Double sided adhesive:** upon request  
**Minimum delivery:** 1 complete packing (with lids)



type	trunking art. no.	 m	outside dim.		cables per trunking (filling 50 %)			lids (alone)		 m
			H mm	W mm	1 mm <sup>2</sup>	1,5 mm <sup>2</sup>	2,5 mm <sup>2</sup>	art. no.	m	
GN-HF-A6/4 30 x 30	0850 0133 025	48	30	30	48	39	33	0850 0505 025	24	
GN-HF-A6/4 40 x 25	0850 0141 025	48	40	25	52	43	36	0850 0500 025	48	
GN-HF-A6/4 40 x 40	0850 0142 025	32	40	40	94	77	64	0850 0510 025	24	
GN-HF-A6/4 40 x 60	0850 0143 025	24	40	60	149	122	102	0850 0520 025	24	
GN-HF-A6/4 40 x 80	0850 0144 025	24	40	80	204	168	140	0850 0530 025	24	
GN-HF-A6/4 60 x 25	0850 0151 025	48	60	25	80	66	55	0850 0500 025	48	
GN-HF-A6/4 60 x 40	0850 0152 025	32	60	40	144	118	99	0850 0510 025	24	
GN-HF-A6/4 60 x 60	0850 0153 025	24	60	60	229	188	157	0850 0520 025	24	
GN-HF-A6/4 60 x 80	0850 0154 025	16	60	80	313	257	215	0850 0530 025	24	
GN-HF-A6/4 80 x 25	0850 0161 025	24	80	25	107	88	74	0850 0500 025	48	
GN-HF-A6/4 80 x 40	0850 0162 025	24	80	40	193	159	133	0850 0510 025	24	
GN-HF-A6/4 80 x 60	0850 0163 025	24	80	60	308	253	211	0850 0520 025	24	
GN-HF-A6/4 80 x 80	0850 0164 025	16	80	80	422	347	290	0850 0530 025	24	
GN-HF-A6/4 80 x100	0850 0165 025	12	80	100	537	441	369	0850 0540 025	12	
GN-HF-A6/4 100 x 30	0850 0170 025	32	100	30	169	138	116	0850 0505 025	24	
GN-HF-A6/4 100 x 60	0850 0172 025	16	100	60	384	316	264	0850 0520 025	24	



**Cable trunking SES**  
with slots and base punching

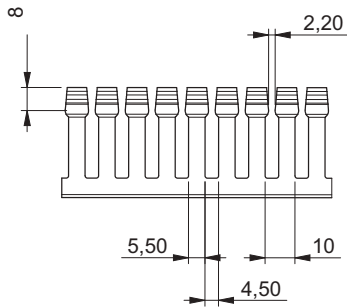


**GN-HF-A6/4**

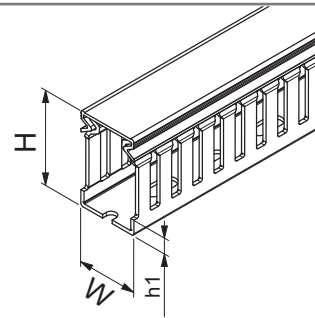
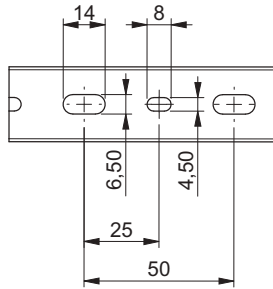


**GN-HF-A6/4**

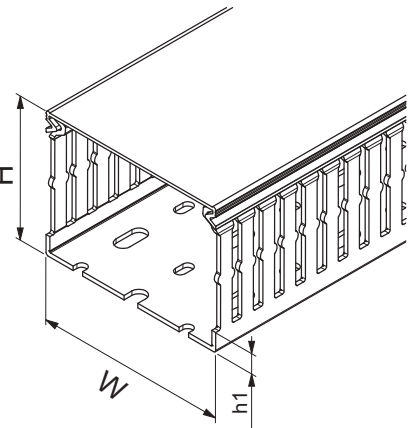
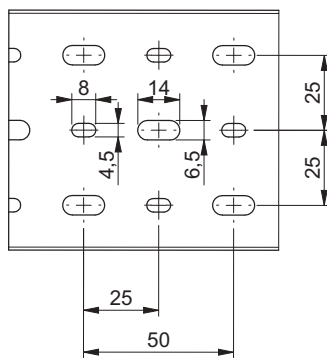
**H = 30 mm**  
**H = 40 mm**



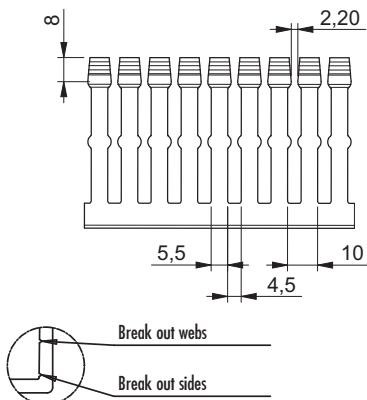
W 25, 30, 40, 60



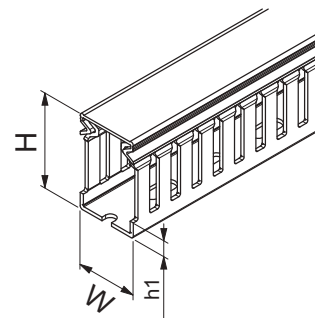
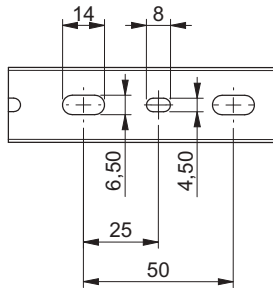
W 80



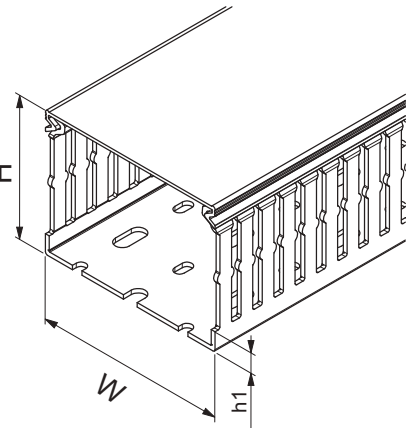
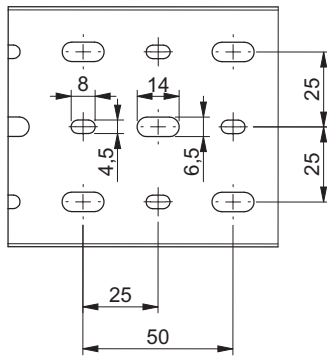
**H = 60 mm**  
**H = 80 mm**  
**H = 100 mm**



W 25, 30, 40, 60



W 80, 100



Base punching to NF EN 50085

H (mm)	30	40	60	80	100
h1 (mm)	4,3	6,5	8,3	10,3	15



# Cable trunking SES with slots and base punching

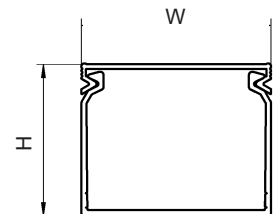
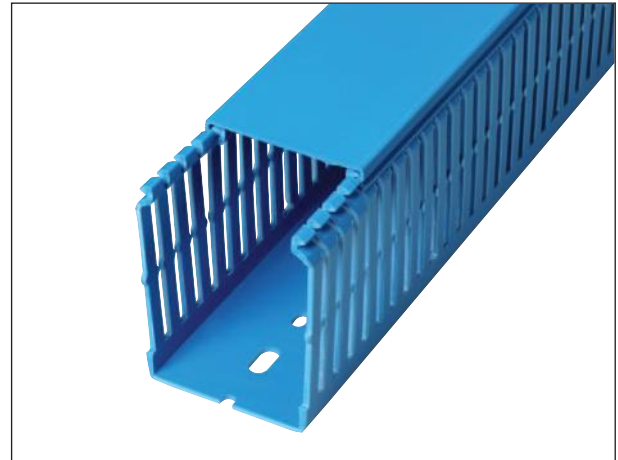




GN-A6/4

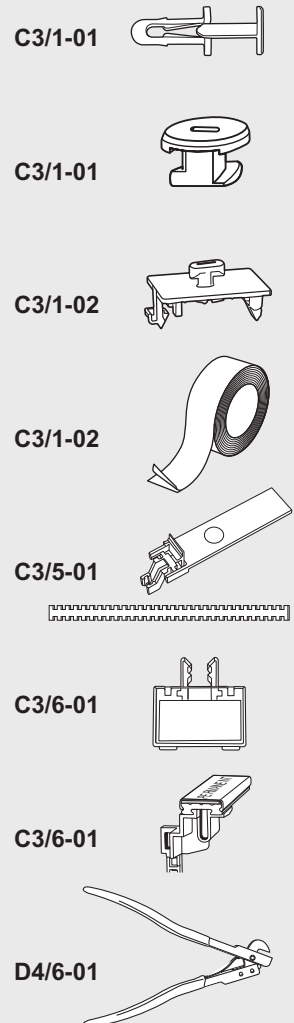


## GN-A6/4 blue

**Material:** rigid PVC quality 9051 LF  
**Colour:** light blue, RAL 5015  
**Operating temperatures:** -5 to +65°C  
**Density:** 1,54  
**Volume resistivity:**  $10^{15} \Omega \cdot \text{cm}$   
**Dielectric strength:** 15 kV/mm  
**Specifications:** V0 UL94  
**Standard length:** 2 meters  
**Double sided adhesive:** upon request  
**Minimum delivery:** 1 complete packing (with lids)  
**Application:** integrally safe areas.



type	trunking art. no.	 m	outside dim.		cables per trunking (filling 50%)			lids (alone)		 m
			H mm	W mm	1 mm <sup>2</sup>	1,5 mm <sup>2</sup>	2,5 mm <sup>2</sup>	art. no.	m	
GN-A6/4	30 x 25	0839 0131 083	60	30	25	37	31	26	0839 0500 083	48
GN-A6/4	40 x 25	0839 0141 083	48	40	25	52	43	36	0839 0500 083	48
GN-A6/4	40 x 30	0839 0146 083	36	40	30	66	54	45	0839 0505 083	24
GN-A6/4	40 x 40	0839 0142 083	32	40	40	94	77	64	0839 0510 083	24
GN-A6/4	60 x 30	0839 0157 083	40	60	30	102	83	70	0839 0505 083	24
GN-A6/4	60 x 40	0839 0152 083	32	60	40	144	118	99	0839 0510 083	24
GN-A6/4	60 x 60	0839 0153 083	24	60	60	229	188	157	0839 0520 083	24
GN-A6/4	60 x 80	0839 0154 083	16	60	80	313	257	215	0839 0530 083	24
GN-A6/4	80 x 30	0839 0167 083	24	80	30	136	112	94	0839 0505 083	24
GN-A6/4	80 x 40	0839 0162 083	24	80	40	193	159	133	0839 0510 083	24
GN-A6/4	80 x 60	0839 0163 083	24	80	60	308	253	211	0839 0520 083	24
GN-A6/4	80 x 80	0839 0164 083	16	80	80	422	347	290	0839 0530 083	24
GN-A6/4	80 x 100	0839 0165 083	12	80	100	537	441	369	0839 0540 083	12
GN-A6/4	100 x 60	0839 0172 083	16	100	60	384	316	264	0839 0520 083	24
GN-A6/4	100 x 100	0839 0174 083	16	100	100	673	553	462	0839 0540 083	12





**Cable trunking SES**  
with slots and base punching

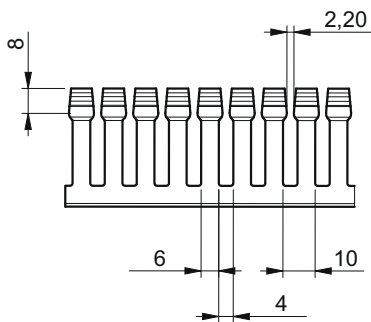


GN-A6/4

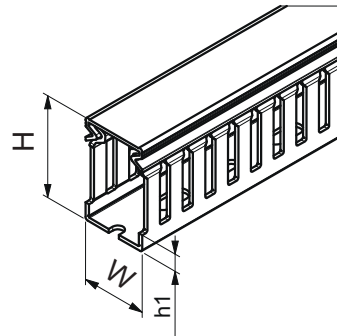
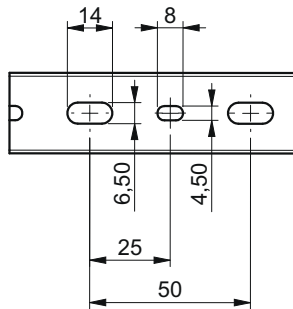


**GN-A6/4 blue**

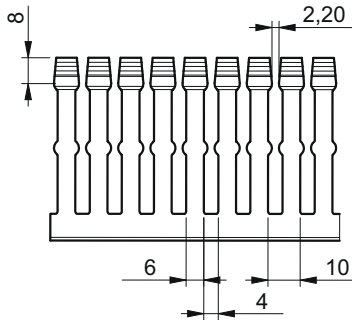
H = 30 mm  
H = 40 mm



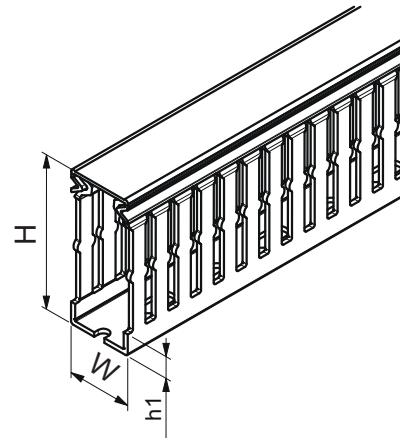
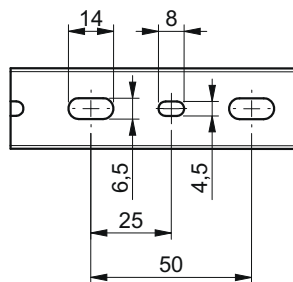
W 25, 30, 40, 60



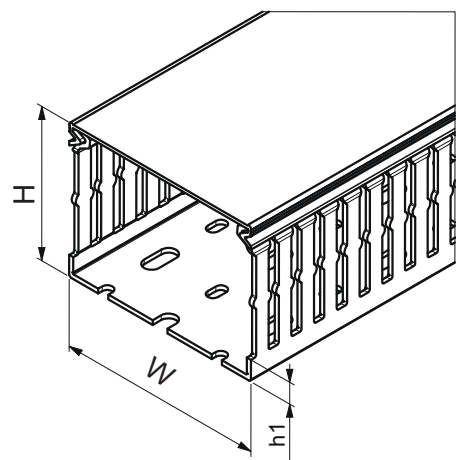
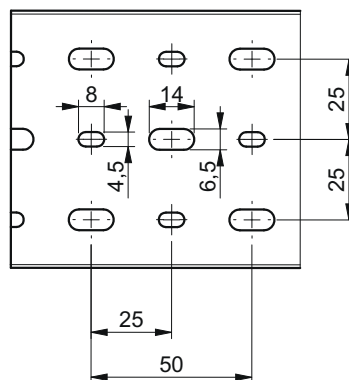
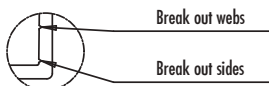
H = 60 mm  
H = 80 mm  
H = 100 mm



W 25, 30, 40, 60



W 80, 100



Base punching to NF EN 50085

H (mm)	30	40	60	80	100
h1 (mm)	5	7	9	11	16



# Cable trunking SES with slots and base punching

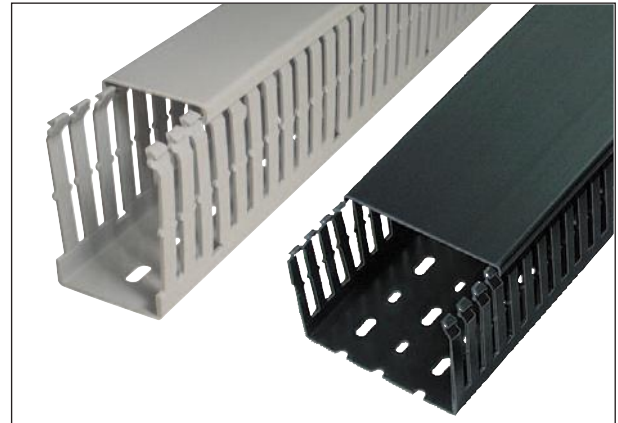


GF-DIN-A7/5  
GF-DIN-A6/4



## GF-DIN-A7/5 -A6/4

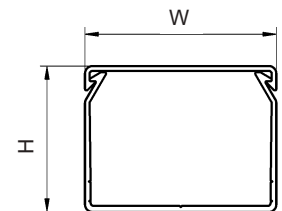
<b>Material:</b>	Rigid PVC quality 9051 LF
<b>Colours:</b>	grey RAL7030 - black
<b>Operating temperatures:</b>	-5 to +65°C
<b>Volume resistivity:</b>	10 <sup>15</sup> Ω.cm
<b>Dielectric strength:</b>	15kV/mm
<b>Spécification:</b>	V0 UL94
<b>Standard length:</b>	2 meters
<b>Double sided adhesive:</b>	upon request
<b>Minimum delivery:</b>	1 complete packing (with lids)





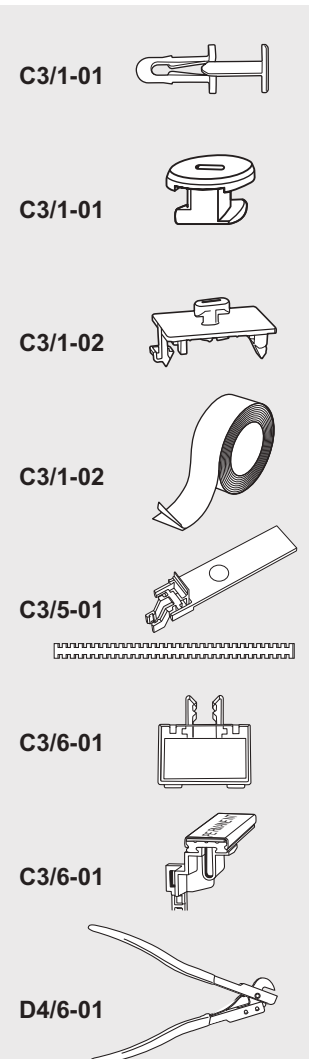
Example for order:

Colours: 013 010

code group	detail article	code colour
0845	x x x x	x x x



type	trunking art. no.	 m	outside dim.		cables per trunking (filling 50%)			lids (alone)	
			H mm	W mm	1 mm <sup>2</sup>	1,5 mm <sup>2</sup>	2,5 mm <sup>2</sup>	art. no.	 m
GF-DIN-A7/5 25 x 25	0845 0031 ***	48	23	23	25	21	17	0845 0640 ***	48
GF-DIN-A7/5 37,5x 25	0845 0041 ***	48	35,5	23	44	36	30	0845 0640 ***	48
GF-DIN-A7/5 37,5x 37,5	0845 0051 ***	24	35,5	35,5	74	61	51	0845 0645 ***	24
GF-DIN-A7/5 37,5x 50	0845 0061 ***	24	35,5	48	105	86	72	0845 0650 ***	24
GF-DIN-A7/5 50 x 25	0845 0131 ***	48	48	23	62	51	42	0845 0640 ***	48
GF-DIN-A7/5 50 x 37,5	0845 0141 ***	24	48	35,5	104	85	71	0845 0645 ***	24
GF-DIN-A7/5 50 x 50	0845 0151 ***	24	48	48	146	120	100	0845 0650 ***	24
GF-DIN-A7/5 50 x 75	0845 0152 ***	24	48	73	230	189	158	0845 0655 ***	24
GF-DIN-A7/5 50 x 100	0845 0153 ***	12	48	98	315	259	216	0845 0630 ***	12
GF-DIN-A7/5 50 x 125	0845 0154 ***	12	48	123	399	328	274	0845 0665 ***	12
GF-DIN-A7/5 75 x 25	0845 0211 ***	48	73	25	101	83	69	0845 0640 ***	48
GF-DIN-A7/5 75 x 37,5	0845 0221 ***	24	73	35,5	161	132	111	0845 0645 ***	24
GF-DIN-A7/5 75 x 50	0845 0231 ***	24	73	48	227	186	156	0845 0650 ***	24
GF-DIN-A7/5 75 x 75	0845 0241 ***	24	73	73	358	294	246	0845 0655 ***	24
GF-DIN-A7/5 75 x 100	0845 0251 ***	12	73	98	489	402	336	0845 0630 ***	12
GF-DIN-A7/5 75 x 125	0845 0261 ***	12	73	123	620	509	426	0845 0665 ***	12
GF-DIN-A6/4 100 x 50	0845 0286 013	24	100	48	304	250	209	0845 0650 013	24
GF-DIN-A6/4 100 x 75	0845 0296 013	12	100	73	484	398	333	0845 0655 013	24



**Cable trunking SES**  
with slots and base punching

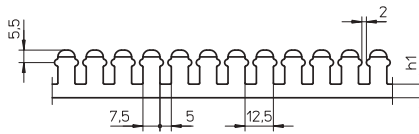
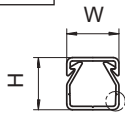


**GF-DIN-A7/5**  
**GF-DIN-A6/4**

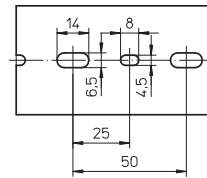


**GF-DIN-A7/5**

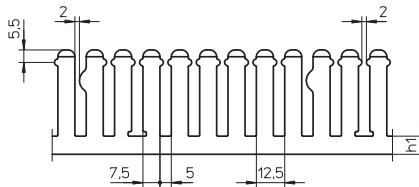
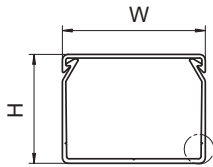
H = 25 mm



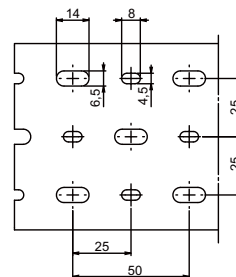
W = 25, 37,5 and 50 mm



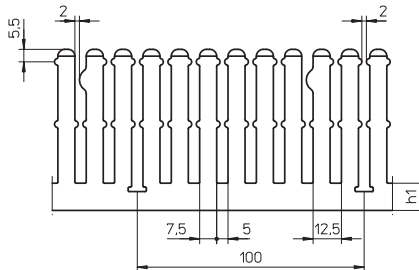
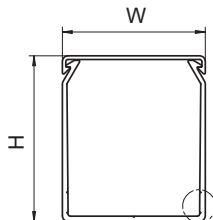
H = 37,5 mm  
H = 50 mm



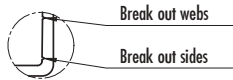
W = 75, 100 and 125 mm



H = 75 mm



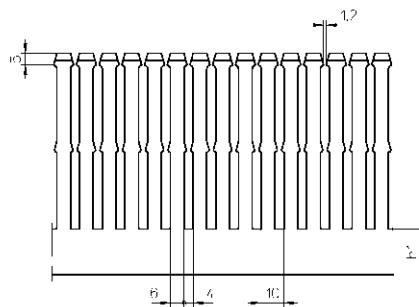
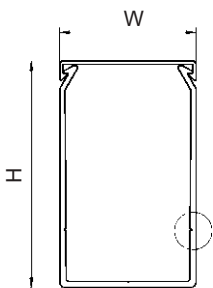
Base punching to NF EN 50085



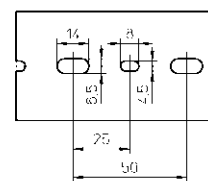
H (mm)	25	37,5	50	75
h1 (mm)	5	7	9	11

**GF-DIN-A6/4**

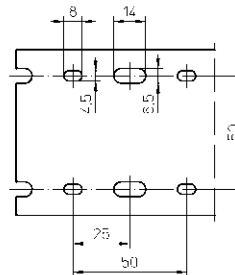
H = 100 mm



W = 50 mm



W = 75 mm



Base punching to DIN 43659



H (mm)	100
h1 (mm)	20

# Cable trunking SES halogene free with slots and base punching



GF-DIN-SH-A7/5

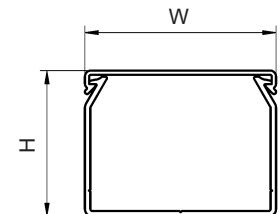


## GF-DIN-SH-A7/5

<b>Material:</b>	PC/ABS
<b>Colour:</b>	light grey RAL7035
<b>Operating temperatures:</b>	-25 to +90°C
<b>Volume resistivity:</b>	10 <sup>15</sup> Ω.cm
<b>Dielectric strength:</b>	35 kV/mm
<b>Specification:</b>	V0 UL94 - EN 45545 NF F16-101/102 - DIN 5510
<b>Recommendations:</b>	no contact with oils or greases
<b>Standard length:</b>	2 meters
<b>Double sided adhesive:</b>	upon request
<b>Minimum delivery:</b>	1 complete packing (with lids)



type	trunking art. no.	m	outside dim.		cables per trunking (filling 50 %)			lids (alone)	
			H mm	W mm	1 mm <sup>2</sup>	1,5 mm <sup>2</sup>	2,5 mm <sup>2</sup>	art. no.	m
GF-DIN-SH-A7/5 25 x 25	0848 0031 013	48	23	23	25	21	17	0848 0640 013	12
GF-DIN-SH-A7/5 37,5x 25	0848 0041 013	48	35,5	23	44	36	30	0848 0640 013	12
GF-DIN-SH-A7/5 37,5x 37,5	0848 0051 013	24	35,5	35,5	74	61	51	0848 0645 013	12
GF-DIN-SH-A7/5 37,5x 50	0848 0053 013	24	35,5	48	105	86	72	0848 0650 013	12
GF-DIN-SH-A7/5 50 x 25	0848 0131 013	48	48	23	62	51	42	0848 0640 013	12
GF-DIN-SH-A7/5 50 x 37,5	0848 0141 013	24	48	35,5	104	85	71	0848 0645 013	12
GF-DIN-SH-A7/5 50 x 50	0848 0151 013	24	48	48	146	120	100	0848 0650 013	12
GF-DIN-SH-A7/5 50 x 75	0848 0152 013	24	48	73	230	189	158	0848 0655 013	12
GF-DIN-SH-A7/5 50 x 100	0848 0153 013	12	48	98	315	259	216	0848 0660 013	12
GF-DIN-SH-A7/5 75 x 25	0848 0211 013	48	73	23	101	83	69	0848 0640 013	12
GF-DIN-SH-A7/5 75 x 37,5	0848 0221 013	24	73	35,5	161	132	111	0848 0645 013	12
GF-DIN-SH-A7/5 75 x 50	0848 0231 013	24	73	48	227	186	156	0848 0650 013	12
GF-DIN-SH-A7/5 75 x 75	0848 0241 013	24	73	73	358	294	246	0848 0655 013	12
GF-DIN-SH-A7/5 75 x 100	0848 0251 013	12	73	98	489	402	336	0848 0660 013	12
GF-DIN-SH-A7/5 75 x 125	0848 0261 013	12	73	123	620	509	426	0848 0665 013	12



- C3/1-01
- C3/1-01
- C3/1-02
- C3/1-02
- C3/5-01
- C3/6-01
- C3/6-01
- D4/6-01

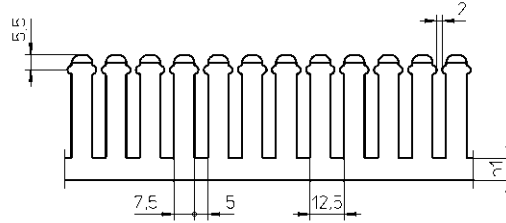
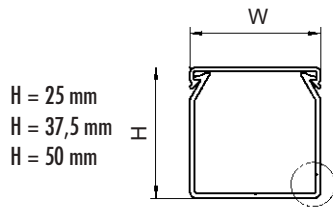
**Cable trunking SES**  
with slots and base punching



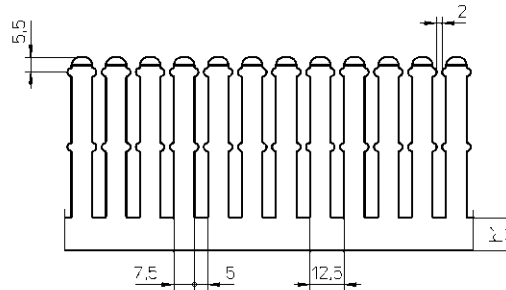
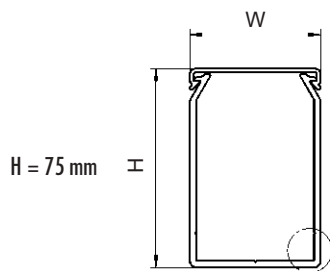
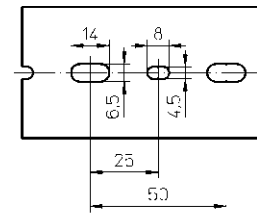
**GF-DIN-SH-A7/5**



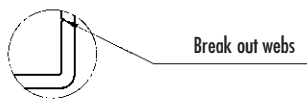
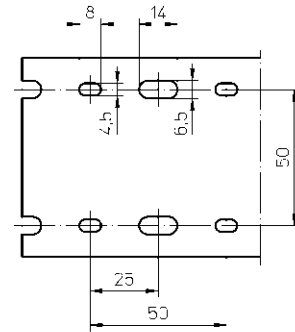
**GF-DIN-SH-A7/5**



W = 25, 37,5 and 50 mm



W = 75, 100 and 125 mm



Base punching to DIN 43659

H (mm)	25	37,5	50	75
h1 (mm)	6	8	8	12



# Cable trunking SES with slots and base punching

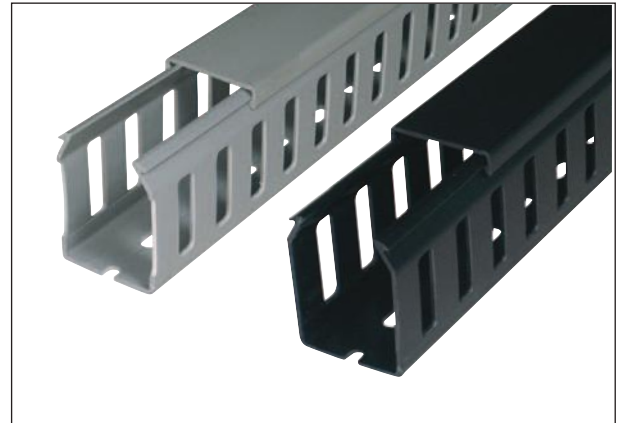


GF-DIN-C-A12/8



## GF-DIN-C-A12/8

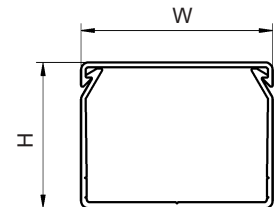
<b>Material:</b>	Rigid PVC quality 9051 LF
<b>Colour:</b>	grey RAL7030 - black
<b>Operating temperatures:</b>	-5 to +65°C
<b>Volume resistivity:</b>	10 <sup>15</sup> Ω.cm
<b>Dielectric strength:</b>	15 kV/mm
<b>Specifications:</b>	V0 UL94
<b>Standard length:</b>	2 meters
<b>Double sided adhesive:</b>	upon request
<b>Minimum delivery:</b>	1 complete packing (with lids)



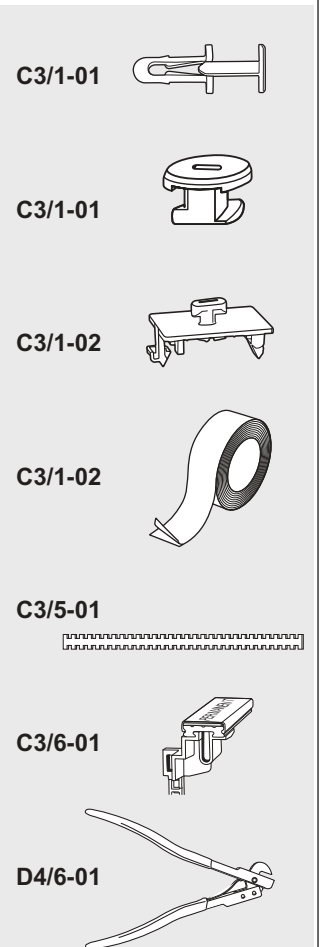
Example for order:

Colours: 013 010

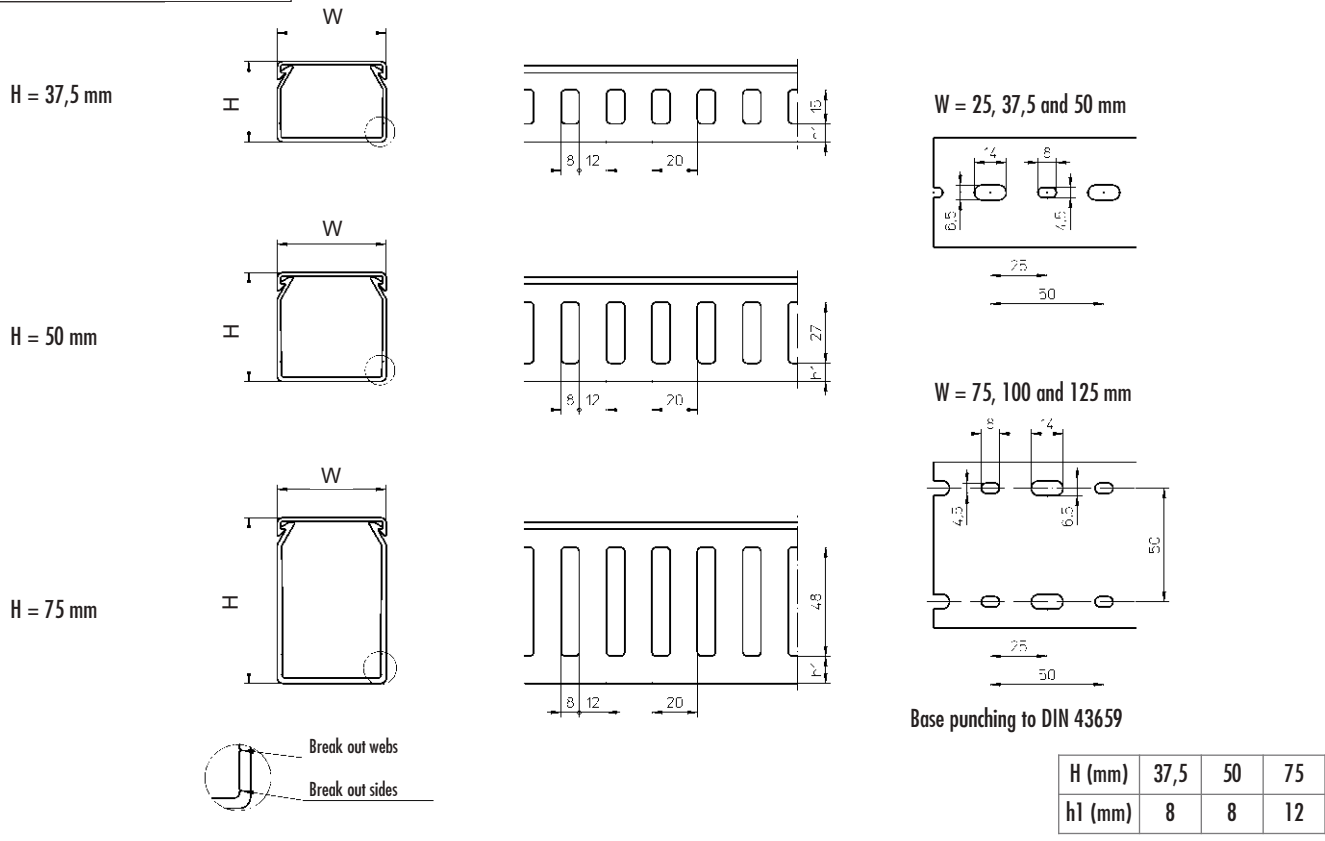
code group	detail article	code colour
0845	x x x x	x x x



type	trunking art. no.	m	outside dim.		cables per trunking (filling 50%)			lids (alone) art. no.	m	
			H mm	W mm	1 mm <sup>2</sup>	1,5 mm <sup>2</sup>	2,5 mm <sup>2</sup>			
GF-DIN-C-A12/8	37,5x 25	0845 0046 ***	48	35,5	23	44	36	30	0845 0640 ***	48
GF-DIN-C-A12/8	37,5x 37,5	0845 0056 ***	24	35,5	35,5	74	61	51	0845 0645 ***	24
GF-DIN-C-A12/8	37,5x 50	0845 0066 ***	24	35,5	48	105	86	72	0845 0650 ***	24
GF-DIN-C-A12/8	50 x 25	0845 0136 ***	48	48	23	62	51	42	0845 0640 ***	48
GF-DIN-C-A12/8	50 x 37,5	0845 0146 ***	24	48	35,5	104	85	71	0845 0645 ***	24
GF-DIN-C-A12/8	50 x 50	0845 0166 ***	24	48	48	146	120	100	0845 0650 ***	24
GF-DIN-C-A12/8	50 x 75	0845 0167 ***	24	48	73	230	189	158	0845 0655 ***	24
GF-DIN-C-A12/8	50 x100	0845 0168 ***	12	48	98	315	259	216	0845 0630 ***	12
GF-DIN-C-A12/8	50 x125	0845 0169 ***	12	48	123	399	328	274	0845 0665 ***	12
GF-DIN-C-A12/8	75 x 25	0845 0216 ***	48	73	25	101	83	69	0845 0640 ***	48
GF-DIN-C-A12/8	75 x 37,5	0845 0226 ***	24	73	35,5	161	132	111	0845 0645 ***	24
GF-DIN-C-A12/8	75 x 50	0845 0236 ***	24	73	48	227	186	156	0845 0650 ***	24
GF-DIN-C-A12/8	75 x 75	0845 0246 ***	24	73	73	358	294	246	0845 0655 ***	24
GF-DIN-C-A12/8	75 x100	0845 0256 ***	12	73	98	489	402	336	0845 0630 ***	12
GF-DIN-C-A12/8	75 x125	0845 0266 ***	12	73	123	620	509	426	0845 0665 ***	12



**GF-DIN-C-A12/8**



# Cable trunking SES with slots and base punching



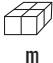

GF-A12/8

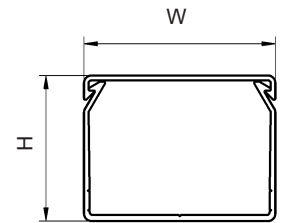


## GF-A12/8

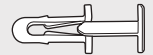
**Material:** rigid PVC quality 9051 LF  
**Colour:** grey RAL7030  
**Operating temperatures:** -5 to +65°C  
**Density:** 1,56  
**Volume resistivity:**  $10^{15} \Omega \cdot \text{cm}$   
**Dielectric strength:** 15 kV/mm  
**Specifications:** V0 UL94  
 CSTB:M2  
**Standard length:** 2 meters  
**Double sided adhesive:** upon request  
**Minimum delivery:** 1 complete packing (with lids)  
**Applications:** used with cable of large diameter



type	trunking art. no.	 m	outside dim.		cables per trunking (filling 50 %)			lids (alone) art. no.	 m
			H mm	W mm	1 mm <sup>2</sup>	1,5 mm <sup>2</sup>	2,5 mm <sup>2</sup>		
GF-A12/8 100 x 100	0845 0276 013	12	100	100	671	551	461	0845 0630 013	12
GF-A12/8 100 x 150	0845 0273 013	12	100	150	1043	856	716	0845 0636 013	12



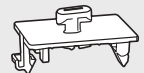
C3/1-01



C3/1-01



C3/1-02



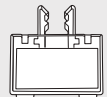
C3/1-02



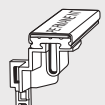
C3/5-01



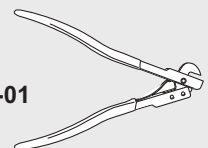
C3/6-01



C3/6-01



D4/6-01





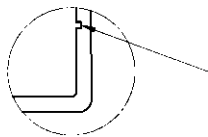
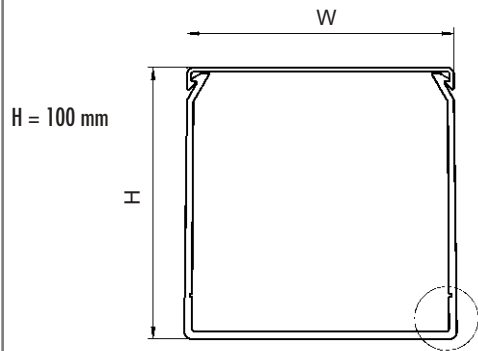
**Cable trunking SES**  
with slots and base punching



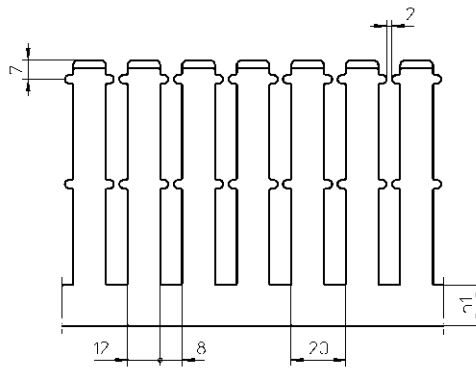
GF-A12/8



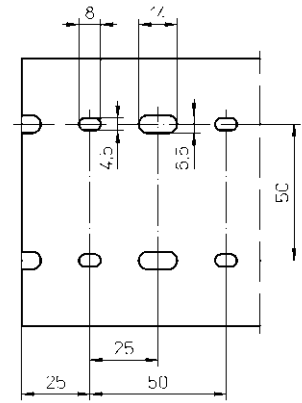
GF-A12/8



Break out webs



W = 100 and 150 mm



Base punching to DIN 43659

H (mm)	100
h1 (mm)	15

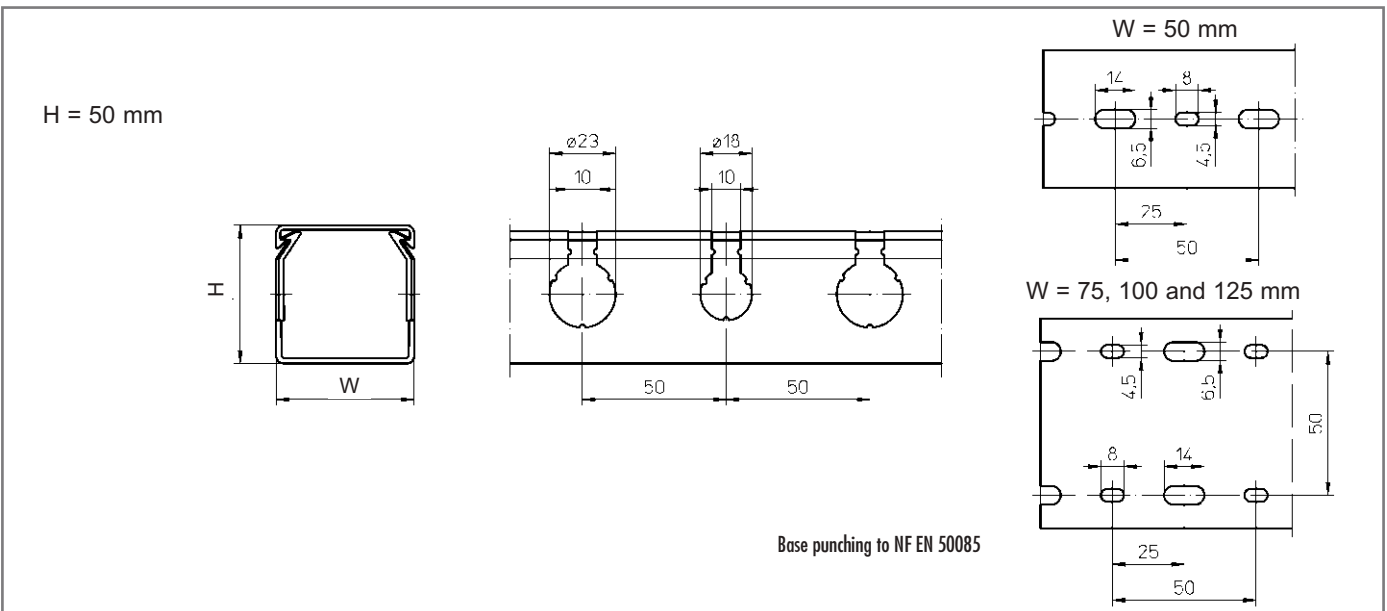
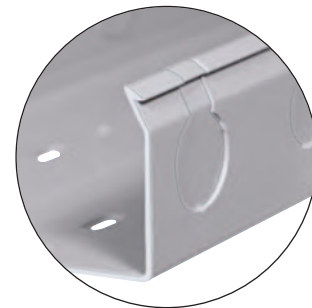


### GF-DIN-PPDA

<b>Material:</b>	Rigid PVC quality 9051
<b>Colour:</b>	grey RAL7030
<b>Operating temperatures:</b>	-5 to +65°C
<b>Density:</b>	1,56
<b>Volume resistivity:</b>	10 <sup>15</sup> Ω.cm
<b>Dielectric strength:</b>	15kV/mm
<b>Specifications:</b>	V0 UL94 CSTB:M2
<b>Standard length:</b>	2 meters
<b>Double sided adhesive:</b>	upon request
<b>Minimum delivery:</b>	1 complete packing (with lids)



type	art. no.	dimensions		m
		H mm	W mm	
GF-DIN-PPDA 50 x 50	0845 0713 013	48	48	24
GF-DIN-PPDA 50 x 75	0845 0714 013	48	73	24
GF-DIN-PPDA 50 x 100	0845 0715 013	48	98	12
GF-DIN-PPDA 50 x 125	0845 0716 013	48	123	12



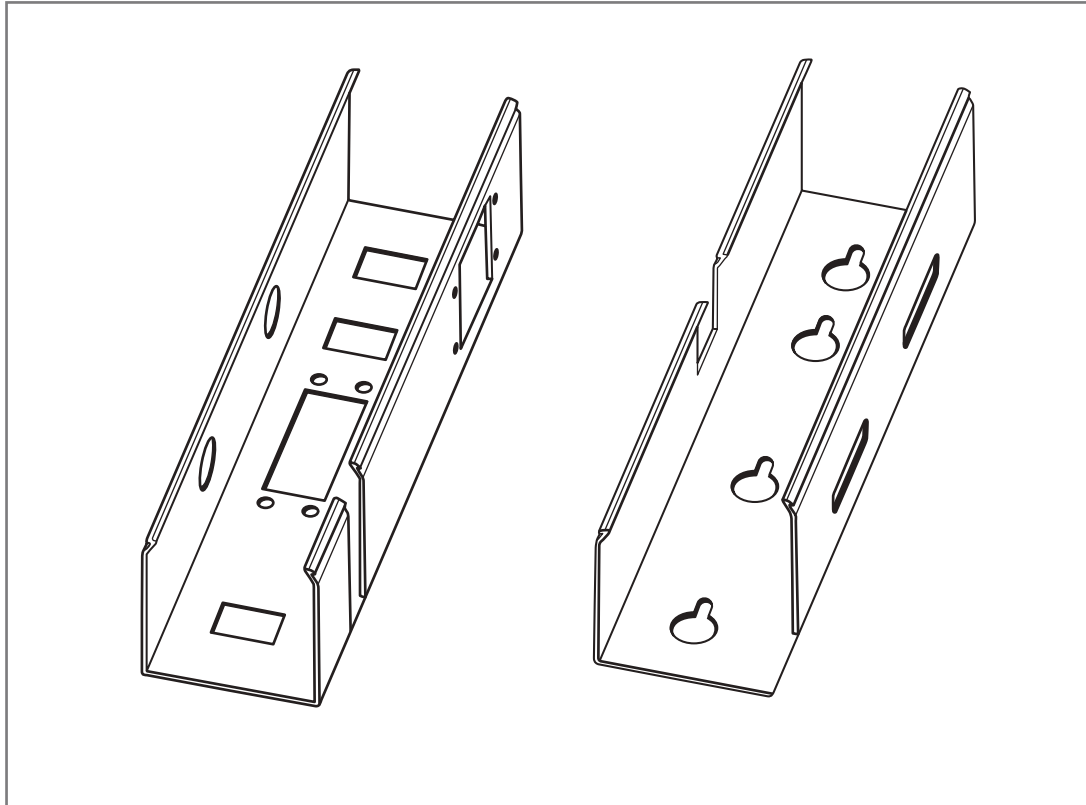
Slots are intended for ICO conduits N. 13 and N. 16 according to standard NF C 68-133.

Can also be used:

- ELECTROFLEX cable glands page A7/2-01,
- PLIOLOCK cable glands page A7/5-01.



**Semi-standard products - available only upon request**



On request SES-STERLING can quote you for special cable trunking for example:

    cable trunking with special slots and base punching

    cable trunking in special lengths

Punching possible for all standard cable trunking. On request SES-STERLING will develop new cable trunking with special profiles.

Please **send us your inquiry** with illustrations as well as quantity, colour and material required.

**Article number: 0845 0999 000**

# SES cutting tool special for conduit trunking



SES

For a fast cut of our conduit trunking,  
SES-STERLING offers a selection of **special tools**.



DC 125 cutter for trunking  
0518 0960 000  
C3/7-01



DX-110 cutter for trunking  
0518 0918 000  
D4/6-01



DK-55 cutting tool  
0518 0956 000  
D4/6-01



DK-60 nibbling tool  
0518 0920 000  
D4/6-01











# C2

Cable trunking plain



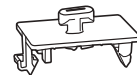
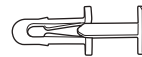


## Cable trunking:

Page	Type	Height in mm	Width in mm	Base punching	Specification
• C2/1	GN-S LF	30-40-60-80-100	25-40-60-80-100-120	yes	 
	GN-HF-S	30-40-60-80	30-40-60	no	  
• C2/2	GF-DIN-SH-S	25-37,5-50-75	25-37,5-50-75-100-125	yes	  

## Accessories:

- C3/1
  - PLIO rivets and SES-GO rivet punch
  - PLIO-GZ lock studs
  - PLIO-GZ clamping bracket
  - PLIOBANDE double sided adhesive tape



# Cable trunking SES plain and with base punching



GN-S LF

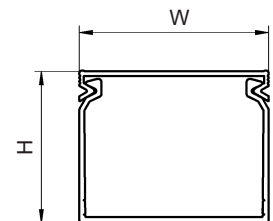


## GN-S LF

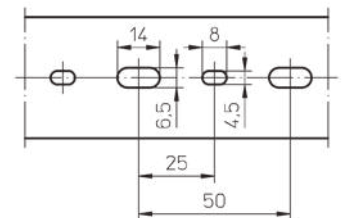
<b>Material:</b>	Rigid PVC quality 9051 LF
<b>Colour:</b>	grey RAL7030
<b>Operating temperatures:</b>	-5 to +65°C
<b>Density:</b>	1,56
<b>Volume resistivity:</b>	10 <sup>15</sup> Ω.cm
<b>Dielectric strength:</b>	15 kV/mm
<b>Specification:</b>	V0 UL94 DIN 5510-2 S3, SR1, ST2
<b>Standard length:</b>	2 meters
<b>Double sided adhesive tape:</b>	on request
<b>Minimum quantity:</b>	1 complete pack (incl. lids)



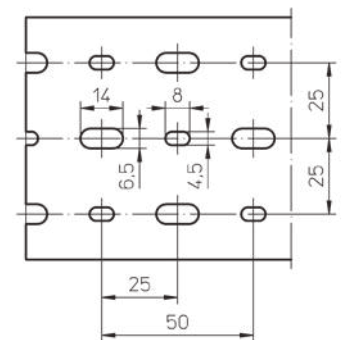
type	trunking		m	ext. dimensions		quant. of cables per trunking (filling 50 %)			lids (alone)	
	article number			H mm	W mm	1 mm <sup>2</sup>	1,5 mm <sup>2</sup>	2,5 mm <sup>2</sup>	art. no.	m
GN-S	30 x 25	0839 0031 013	60	30	25	37	31	26	0839 0500 013	48
GN-S	30 x 40	0839 0032 013	36	30	40	68	56	47	0839 0510 013	24
GN-S	40 x 25	0839 0041 013	48	40	25	52	43	36	0839 0500 013	48
GN-S	40 x 40	0839 0042 013	32	40	40	94	77	64	0839 0510 013	24
GN-S	40 x 60	0839 0043 013	24	40	60	149	122	102	0839 0520 013	24
GN-S	40 x 80	0839 0044 013	24	40	80	204	168	140	0839 0530 013	24
GN-S	40 x 100	0839 0045 013	12	40	100	259	213	178	0839 0540 013	12
GN-S	60 x 25	0839 0051 013	48	60	25	80	66	55	0839 0500 013	48
GN-S	60 x 40	0839 0052 013	32	60	40	144	118	99	0839 0510 013	24
GN-S	60 x 60	0839 0053 013	24	60	60	229	188	157	0839 0520 013	24
GN-S	60 x 80	0839 0054 013	16	60	80	313	257	215	0839 0530 013	24
GN-S	60 x 100	0839 0055 013	16	60	100	398	327	273	0839 0540 013	12
GN-S	60 x 120	0839 0056 013	12	60	120	483	397	332	0839 0550 013	12
GN-S	80 x 25	0839 0061 013	24	80	25	107	88	74	0839 0500 013	48
GN-S	80 x 40	0839 0062 013	24	80	40	193	159	133	0839 0510 013	24
GN-S	80 x 60	0839 0063 013	24	80	60	308	253	211	0839 0520 013	24
GN-S	80 x 80	0839 0064 013	16	80	80	422	347	290	0839 0530 013	24
GN-S	80 x 100	0839 0065 013	12	80	100	537	441	369	0839 0540 013	12
GN-S	80 x 120	0839 0066 013	16	80	120	652	535	447	0839 0550 013	12
GN-S	100 x 40	0839 0071 013	24	100	40	240	198	165	0839 0510 013	24
GN-S	100 x 60	0839 0072 013	16	100	60	384	316	264	0839 0520 013	24
GN-S	100 x 80	0839 0073 013	16	100	80	529	435	363	0839 0530 013	24
GN-S	100 x 100	0839 0074 013	16	100	100	673	553	462	0839 0540 013	12



W = 25, 40 and 60 mm



W = 80, 100 and 120 mm



Base punching to  
NF EN 50085

# Cable trunking SES plain and with base punching

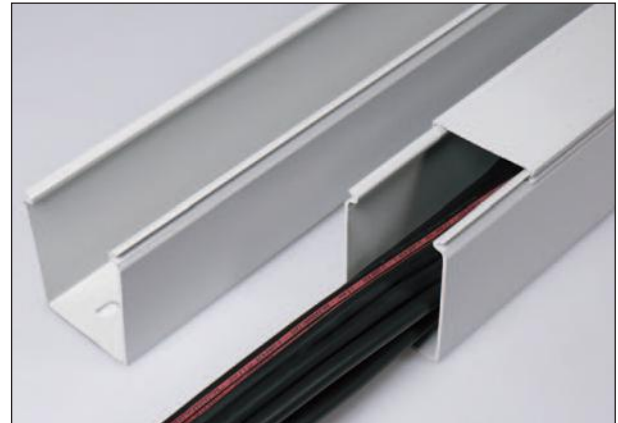




GN-HF-S

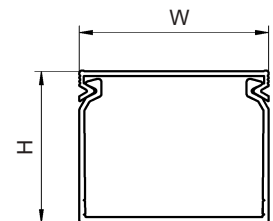


## GN-HF-S

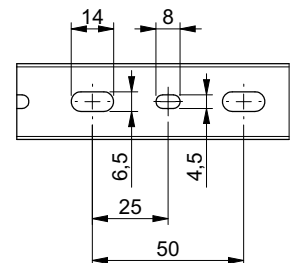
**Material:** PC/ABS, halogen free  
**Colour:** light grey RAL7035  
**Operating temperatures:** -25 to +90°C  
**Volume resistivity:**  $10^{15} \Omega \cdot \text{cm}$   
**Dielectric strength:** 35 kV/mm  
**Specification:** V0 UL94  
 NF F 16-101/102 : I3/F2  
 DIN 5510-2 : S4-SR2-ST2  
 EN 45545-2 : R22 HL3, R23 HL3  
**Standard length:** 2 meters  
**Double sided adhesive tape:** on request  
**Minimum quantity:** 1 complete pack (incl. lids)



type	trunking article number	 m	ext. dimensions		quant. of cables per trunking (filling 50 %)			lids (alone) art. no.	 m
			H mm	W mm	1 mm <sup>2</sup>	1,5 mm <sup>2</sup>	2,5 mm <sup>2</sup>		
GN-HF-S 30 x 30	0850 0033 025	48	30	30	48	39	33	0850 0505 025	24
GN-HF-S 40 x 40	0850 0042 025	32	40	40	94	77	64	0850 0510 025	24
GN-HF-S 40 x 60	0850 0043 025	24	40	60	149	122	102	0850 0510 025	24
GN-HF-S 60 x 40	0850 0052 025	32	60	40	144	118	99	0850 0520 025	24
GN-HF-S 80 x 40	0850 0062 025	24	80	40	193	159	133	0850 0520 025	24



W 30, 40, 60



Base punching to  
NF EN 50085



# Cable trunking SES plain and with base punching





GF-DIN-SH-S

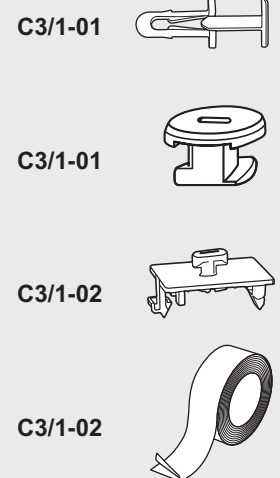
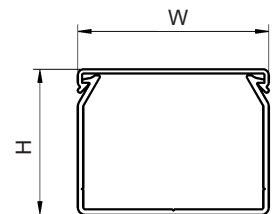


## GF-DIN-SH-S

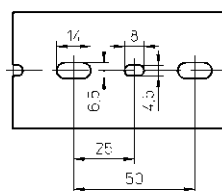
<b>Material:</b>	polyphenylene ether, modified (PPE/PS)
<b>Colour:</b>	light grey RAL7035
<b>Operating temperatures:</b>	-25 to +70°C
<b>Volume resistivity:</b>	10 <sup>15</sup> Ω.cm
<b>Dielectric strength:</b>	16 kV/mm
<b>Specification:</b>	V1 UL94
<b>Standard length:</b>	2 meters
<b>Double sided adhesive tape:</b>	on request
<b>Minimum quantity:</b>	1 complete pack (incl. lids)



type	trunking art. no.	 m	ext. dimensions		quant. of cables per trunking (filling 50%)			lids (alone) art. no.	 m
			H mm	W mm	1 mm <sup>2</sup>	1,5 mm <sup>2</sup>	2,5 mm <sup>2</sup>		
GF-DIN-SH-S 25 x 25	0848 0331 013	48	23,0	23,0	25	21	17	0848 0640 013	12
GF-DIN-SH-S 37,5 x 25	0848 0341 013	48	35,5	23,0	44	36	30	0848 0640 013	12
GF-DIN-SH-S 37,5 x 37,5	0848 0351 013	24	35,5	35,5	74	61	51	0848 0645 013	12
GF-DIN-SH-S 50 x 25	0848 0431 013	48	48,0	23,0	62	51	42	0848 0640 013	12
GF-DIN-SH-S 50 x 37,5	0848 0441 013	24	48,0	35,5	104	85	71	0848 0645 013	12
GF-DIN-SH-S 50 x 50	0848 0451 013	24	48,0	48,0	146	120	100	0848 0650 013	12
GF-DIN-SH-S 50 x 75	0848 0452 013	24	48,0	73,0	230	189	158	0848 0655 013	12
GF-DIN-SH-S 50 x 100	0848 0453 013	12	48,0	98,0	315	259	216	0848 0660 013	12
GF-DIN-SH-S 75 x 25	0848 0511 013	48	73,0	23,0	101	83	69	0848 0640 013	12
GF-DIN-SH-S 75 x 37,5	0848 0521 013	24	73,0	35,5	161	132	111	0848 0645 013	12
GF-DIN-SH-S 75 x 50	0848 0531 013	24	73,0	48,0	227	186	156	0848 0650 013	12
GF-DIN-SH-S 75 x 75	0848 0541 013	24	73,0	73,0	358	294	246	0848 0655 013	12
GF-DIN-SH-S 75 x 100	0848 0551 013	12	73,0	98,0	489	402	336	0848 0660 013	12
GF-DIN-SH-S 75 x 125	0848 0561 013	12	73,0	123,0	620	509	426	0848 0665 013	12

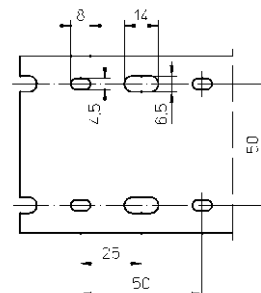


W = 25, 37,5 and 50 mm



Base punching to DIN 43659

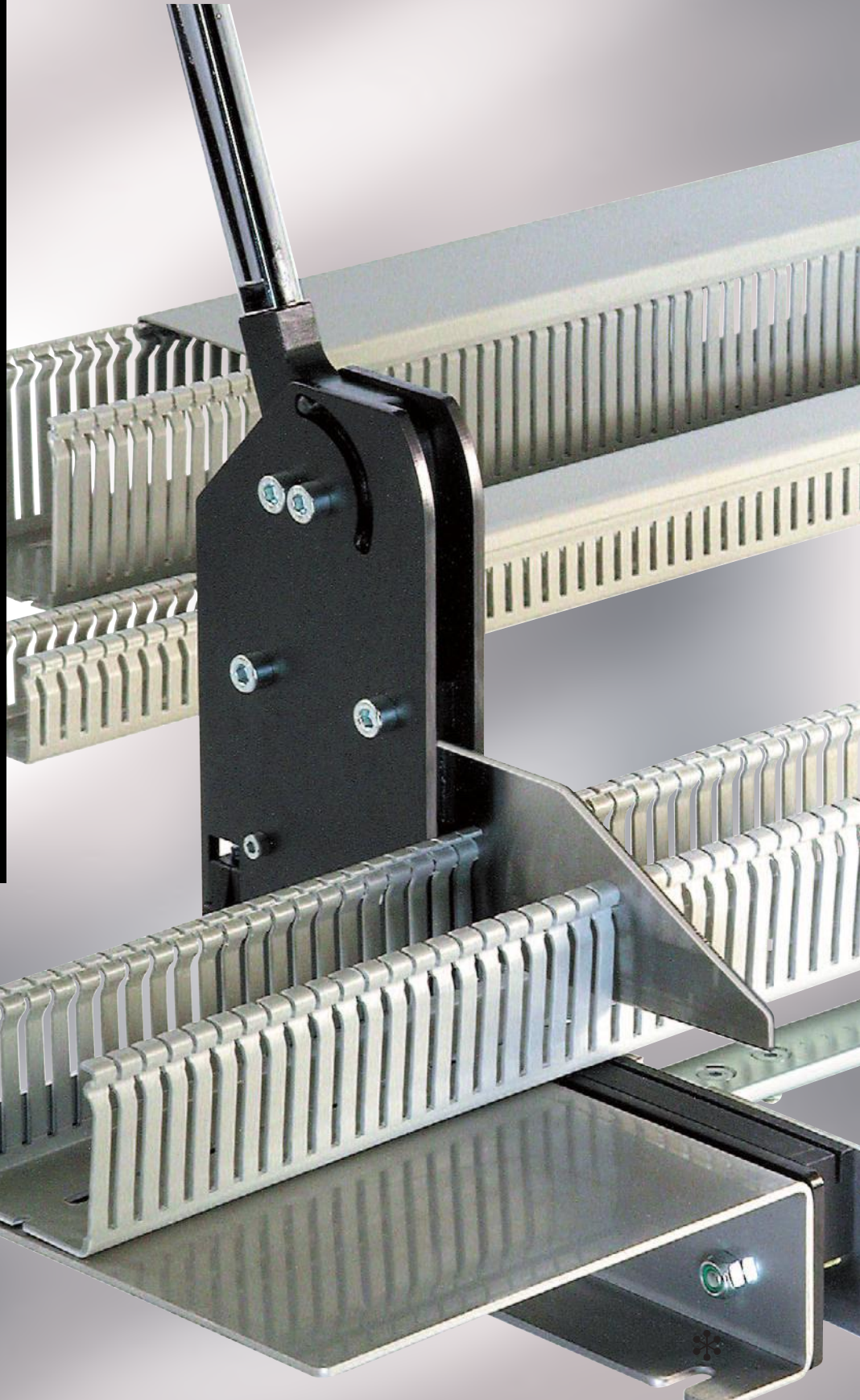
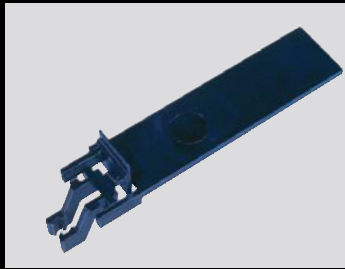
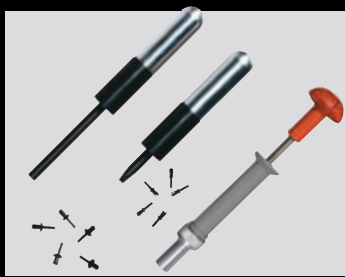
W = 75, 100 and 125 mm





# C3

Accessories  
for cable trunking





At your disposal, a whole range of accessories that allow you to:

- **fasten the trunking** temporarily or permanently,
- **keep cables** secure in the trunking before fixing the lid,
- **identify** your trunking,
- **cut** trunking at true angles.

page

- C3/1-01 **Rivets PLIO and rivet punches SES-GO**  
for quick fastening of trunking and other products.



- **Lock stud PLIO-GZ**  
for fast fixing of trunking GK to base plates or aluminium profiles.



- C3/1-02 **Clamping bracket PLIO-GZ**  
for clamping to rails, profiles or perforated base plates.



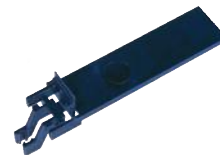
- **PLIOBANDE double sided adhesive tape**  
for temporary fastening of trunking.



- C3/5-01 **Retaining clip PLIO-GX**  
stops cables from falling and allows the lids a better hold.



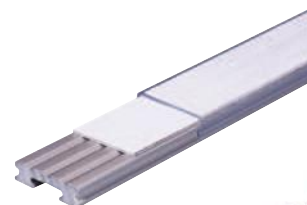
- **Bridging clip PLIO-GX**  
keeps cable secure in the trunking and allows complete or partial change of cabling at any time without removal of clip.



- C3/5-02 **Retaining clip BR-GN**  
for keeping cables secure in the trunking while fixing them.



- C3/6-01 **Label holder PLIO**  
to identify cable outlets.



- C3/7-01 **Cutter DC 125**  
for fast cutting of trunking at true angles.



# Accessories for cable trunking

## Rivets PLIO® and rivet punches SES

### Lock stud PLIO®



PLIO®



#### PLIO GT & GS

**Material:** POM / PA6.6 / PA12  
**Colours:** black - transparent  
**Operating temperatures:** -40 to +90°C / +85°C / +60°C  
**Application:** for quick fastening of trunking and other products.

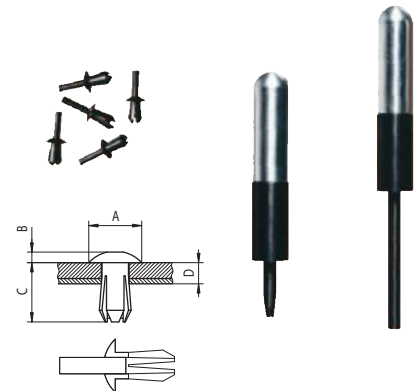


Example for order:

Colours: 010 018

code group	detail article	code colour
0635	0XXXXXX	XXXXX

type	article number	bore Ø mm	riveting thickness (D) mm	material	dimensions (mm)			
					A	B	C	
<b>PLIO-GT rivets</b>								
GT 32	0635 0002 ***	3,2	3 - 4	POM	4,8	1,3	6,2	100
GT 35	0635 0003 ***	3,5	4 - 5	POM	7	1,5	8,4	100
GT 50	0635 0001 ***	5	5 - 6	PA 12	10	2	11	100
GT 62	0635 0004 ***	6,2	5 - 6	PA 12	10	2	12	100

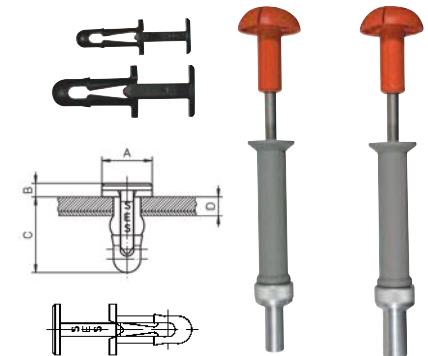


#### SES-GO rivet punch for PLIO-GT rivet

GO-1	0412 0001 000	for GT 32 & GT 35 rivets	1
GO-2	0412 0002 000	for GT 50 & GT 62 rivets	1

#### PLIO-GS rivets (very good resistance against elongation)

GS 40	0635 0011 ***	4	3 - 6	PA6.6	7,5	2,5	13,2	100
GS 60	0635 0012 ***	6	3 - 6	PA6.6	11	3	16,5	100



#### SES-GO rivet punch for PLIO GS rivet

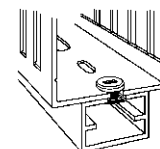
GO-3	0412 0003 000	for GS 40 rivet	1
GO-4	0412 0004 000	for GS 60 rivet	1

#### PLIO GZ-01

**Material:** polyamide 12  
**Colour:** black  
**Operating temperatures:** -40 to +60°C  
**Specification:** HB UL94  
**Application:** for a fast fixing of our GN and GF trunking on base plates or aluminium profiles.



type	article number	
GZ-01	0845 0901 010	100



**Accessories for cable trunking**  
**PLIO® clamping bracket**  
**PLIOBANDE double sided adhesive tape**



PLIO®

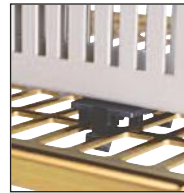


**PLIO GZ-02**

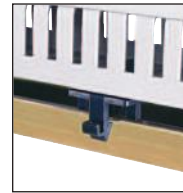
**Material:** polyamide 6.6  
**Colour:** black  
**Operating temperatures:** -40 to +80°C  
**Specification:** V0 UL94  
**Application:** for clamping cable trunking to:  
 - metallic rail DIN 35 x 7,5  
 - rail 35 X 15 mm to NF EN 50022  
 - combined profile TE AMI-ED 20  
 - perforated base plate or similar



type	article number	
<b>Clamping bracket PLIO</b>		
GZ-02	0845 0902 010	20



clamped to perforate plate



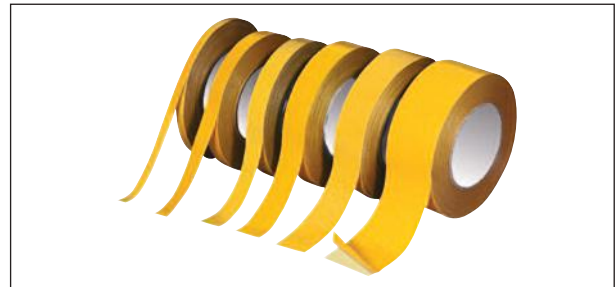
clamped to DIN rail




easily dismantled with screwdriver

**PLIOBANDE**

**Material:** double sided adhesive tape with acryl adhesif modified  
**Operating temperatures:** -40 to +120°C  
**Application:** for temporary fastening of trunking.



The double-sided adhesive tape\* is attached to the base of the trunking, which is then temporarily held in position until final attachment is performed with plastic rivets.

type	article number	width of the tape (mm)	 m
<b>PLIOBANDE double-sided adhesive tape</b>			
RA9	0650 0201 000	9	50
RA15	0650 0202 000	15	50
RA19	0650 0203 000	19	50
RA25	0650 0204 000	25	50
RA30	0650 0205 000	30	50
RA50	0650 0206 000	50	50

\* **IMPORTANT** Good adhesion with our products is achieved by a smooth, clean, dry and perfectly degreased surface, in general, we recommend preliminary tests.

# Accessories for cable trunking

## PLIO® retaining clip

## PLIO® bridging clip



PLIO®



### PLIO GX-1 GX-2

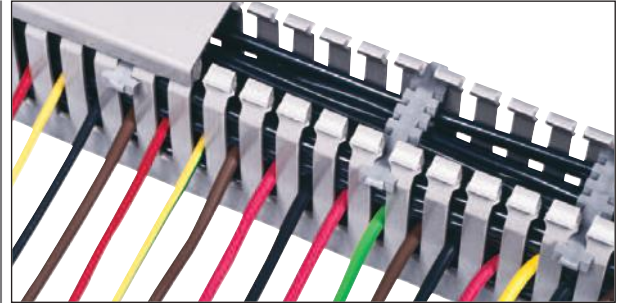
**Material:** polypropylene  
quality flame resistant  
halogen free

**Colour:** grey RAL7035

**Operating temperatures:** -25 to +70°C

**Specifications:** V2 UL94

**Application:** keeps cable in trunking.



The GX clips have following functions:

- keeping cables secured when trunking is mounted horizontally or vertically.
- ensuring easier lid fixing due to the oblique teeth supporting the trunking webs.
- easy assembly, the clip should be clamped between two webs on the appropriate trunking width.

type	article number	width mm	length mm	thickness mm	for trunking height (mm)	
GX-1 HF	0845 0917 013	9	147	2,5	≤ 75	50
GX-2 HF	0845 0918 013	9	147	2,5	80 - 100	50



### PLIO GX

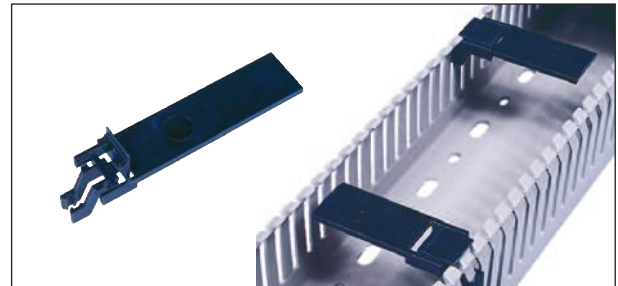
**Material:** polyamide 6,  
quality flame resistant, halogen free

**Colours:** black

**Operating temperatures:** -40 to +100°C

**Specification:** V0 UL94


**Application:** keeps cable in GN-A6/4, GF-DIN-A7/5 and GF-A6/4 trunking.

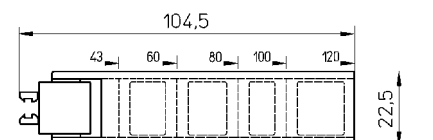
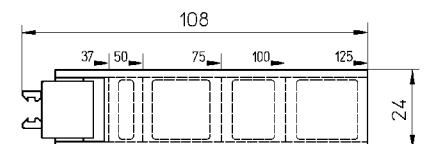


Clips are of universal use, they can be cut to the trunking width.

Allows complete or partial change of cabling at any time without removal of clip.

It is advisable to position clamps every 20/30 cm on the trunking, by alternating the fixing side (see picture).

type	article number	width mm	length mm	for trunking series	for trunking height (mm)	
GX-DIN-A7/5 HF	0845 0916 010	24	108	GF-DIN-A7/5 GF-DIN-SH-A7/5	25 ... 75	50
GX-A6/4 HF	0845 0915 010	22,5	105	GN-A6/4 GN-HF-A6/4	42 ... 80 60	50



## BR-GN

**Material:** polystyrene modified choc, quality flame resistant

**Operating temperatures:** -40 to +70°C

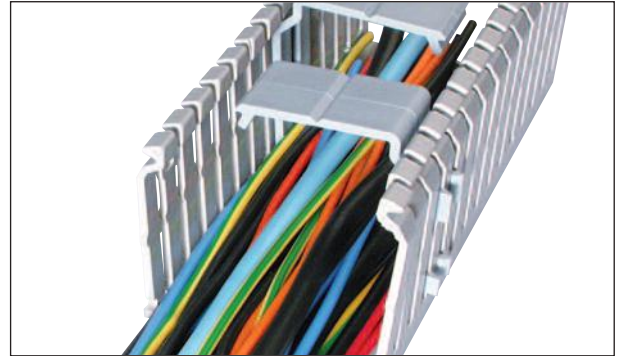
**Colour:** grey

**Pack:** box

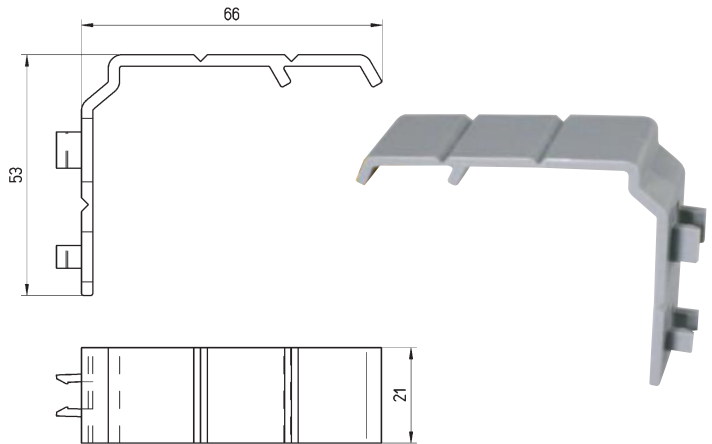
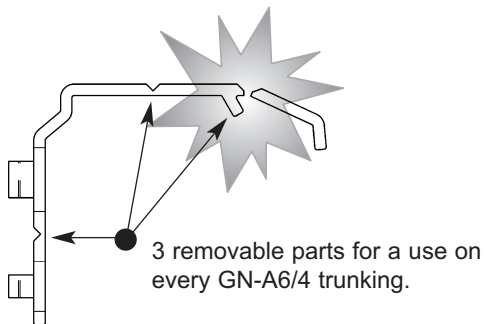
**Specification:** V2 UL94

**Application:** keeps cables in GN trunking.

Thanks to its design, this retaining clip is usable on every GN-A6/4 trunking.

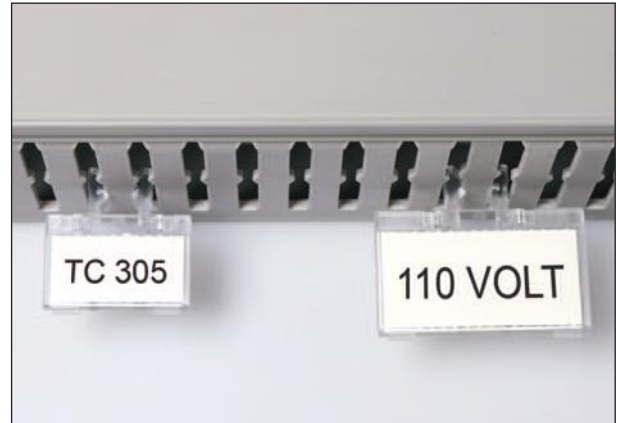


type	artide number	
BR-GN	0839 0100 013	50



**PE-A6/4 - PE-A7/5**

**Material:** polycarbonate  
**Colour:** transparent clear  
**Operating temperatures:** -40 to +120°C  
**Application:** to identify cable outlets.

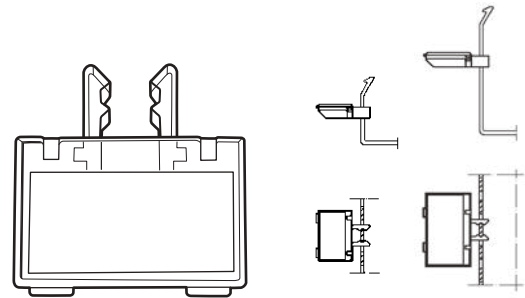


In resisting and elastic rubber, the label holders PLIO are made of only one part, with integrated locking cover and are attached to the trunking webs.

They are provided with labels to mark out of white paperboard (150 g/m<sup>2</sup>) and, maintained under the lid, are protected from any external damage.

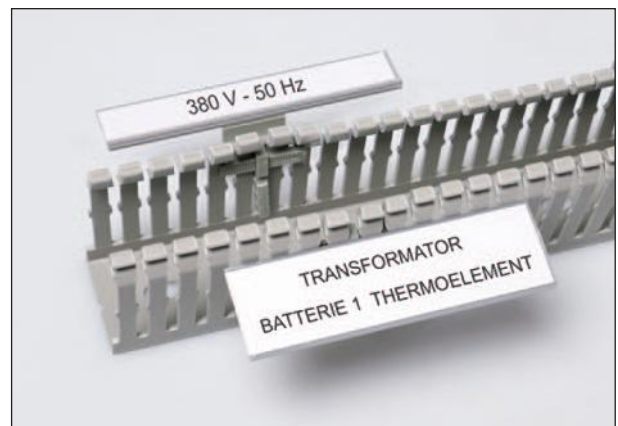
**Marking:** with a pen or a printer

type	article number	dimensions of the label (mm)	
<b>PE label holder for GN-A6/4 trunking</b>			
PE-A6/4 26	0845 0912 018	25,5 x 13	50
PE-A6/4 38	0845 0913 018	38,0 x 19	50
<b>PE label holder for GF-DIN-A7/5 trunking</b>			
PE-DIN-A7/5 26	0845 0910 018	25,5 x 13	50
PE-DIN-A7/5 38	0845 0911 018	38,0 x 19	50



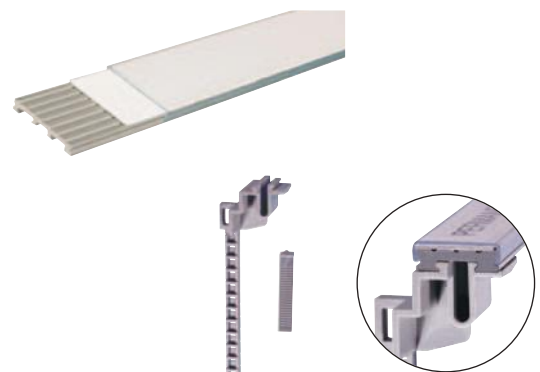
**PLIO-15 - PLIO-30**

**Material:** base Rigid PVC grey (RAL 7030)  
 lid Rigid PVC transparent  
 label white cardboard thickness 0,8 mm  
**Operating temperatures:** -5 to +65°C  
**Application:** to identify cable outlets combined with PES supports.  
**Fixing:** screw, glue or temporarily held with double sided adhesive tape.



PLIO-15 et PLIO-30 label holders are used to identify cable outlets combined with PES support.

type	article number	length	dimensions (mm)			total thickness	
			width lid	width label			
<b>PLIO lab</b>							
PLIO-15	0129 0010 000	1000	16,0	14	5,3	20	
PLIO-30	0129 0020 000	1000	31,5	29	5,6	20	
<b>Support for PLIO-15 and PLIO-30 profil</b>							
PES	0845 0920 013	-	-	-	-	25	





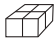
# DC 125 cutter for cable trunking



SES

## DC 125

<b>Cutting width:</b>	125 mm
<b>Cutting length:</b>	1000 mm max.
<b>Dimensions (L x l x H):</b>	1290 x 290 x 760 mm
<b>Weight:</b>	10,5 kg
<b>Application:</b>	for quick and clean cutting of SES trunking with slots.

type	article number	
<b>Cutter</b>		
<b>DC 125</b>	0518 0960 000	1
<b>Spare blade</b>		
<b>DC 10025</b>	0518 0961 000	1
<b>Folding blade guard</b>		
<b>DC 10022</b>	0518 0962 000	1

**DC 125** cutter cuts trunking at true angles and avoids burring and expensive redressing.

Chip free cutting keeps your site clean.

No pollution or noise.

Due to a cam mechanism the DC 125 cuts with little effort.

The 1 m long length guide and stop allows cutting of high precision. This cutter must be bench mounted.

The blade in tungsten steel provides a cutting width of up to 125 mm.

The blade is supplied with an integrated guard giving total security.

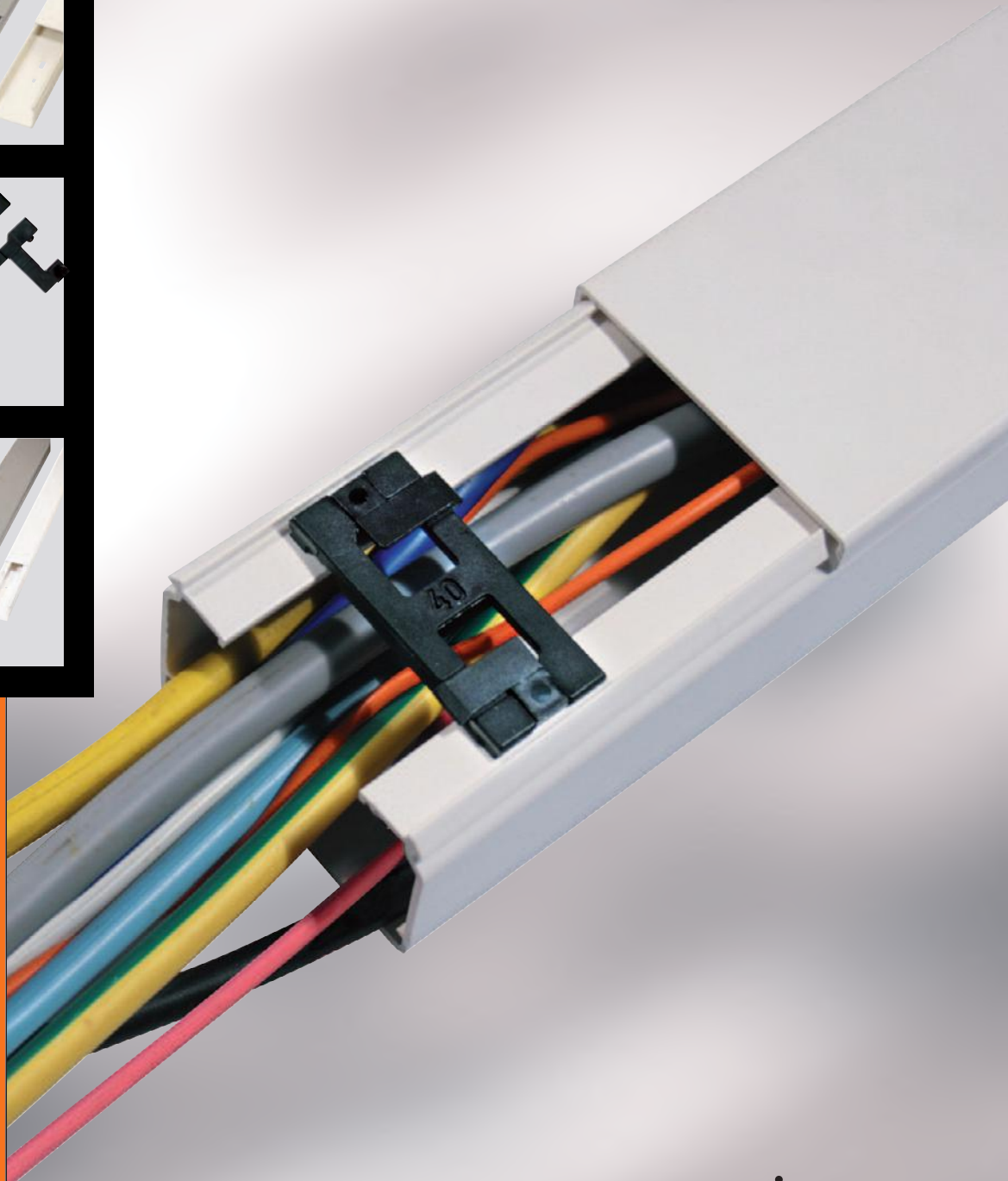
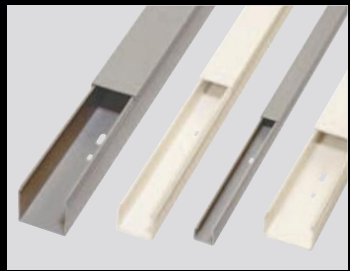
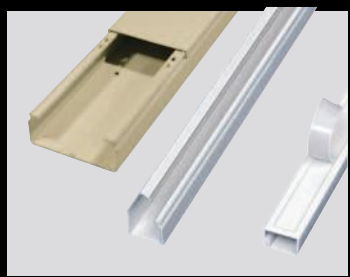
**DC 125** cutters are approved by the TÜV.





# C4

## Installation trunking

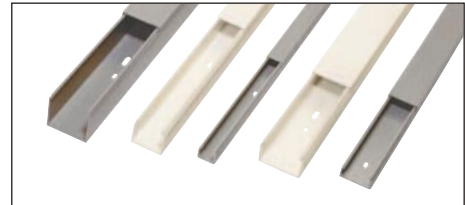




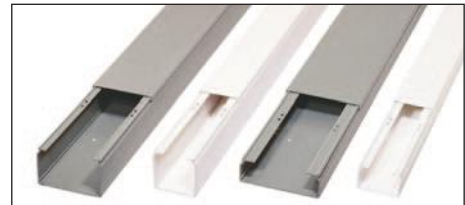
The GI trunking has been developed for visible indoor installations. Used for installation in a workshop, a cellar or a garage, there is a large range of GI trunking in many sizes with accessories allowing for a perfect finish.

page

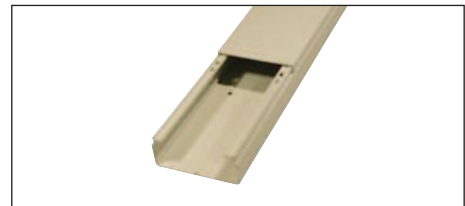
- C4/1-01 **Installation trunking SES GI-A**  
small sizes: 15x15 to 60x60



- Installation trunking SES GI-B**  
medium and large sizes: 40x60 to 60x110



- Installation trunking SES GI-VIDEO**  
sizes 40x90 and 60x110, colour ivory.



- C4/5-01 **Accessories for installation trunking GI-B**



- C4/6-01 **Installation trunking SES GI-M miniature**  
small size: 5x10 to 15x15  
  
Miniature trunking that is extruded in one piece.  
For cables type hifi, telephone etc.



# Cable trunking plain with base punching

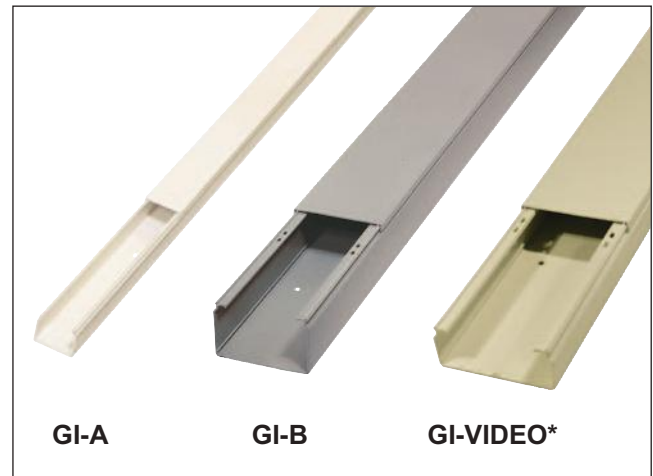


GI



## GI

<b>Material:</b>	PVC quality 9051 LF
<b>Colours:</b>	white cream (RAL 9001) grey (RAL 7030)
<b>Operating temperatures:</b>	-5 to +65°C
<b>Density:</b>	1,56
<b>Volume resistivity:</b>	10 <sup>15</sup> Ω.cm
<b>Dielectric strength:</b>	15 kV/mm
<b>Specifications:</b>	V0 UL94
<b>Standard length:</b>	2 meters
<b>Double sided adhesive tape:</b>	on request
<b>Minimum quantity:</b>	1 complete pack (incl. lids)

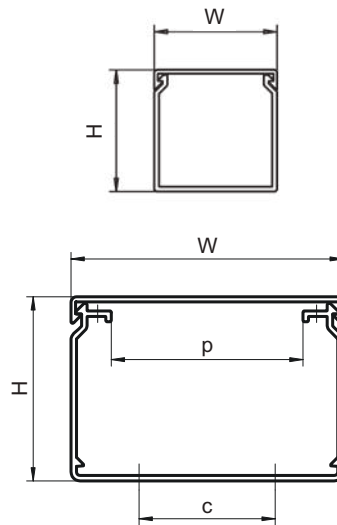


Example for order:

Colours: 001 013  
white grey

code group	detail article	code colour
08460	xxxxxx	xxx

type	article number	ext. dimensions		c	p	m
		H mm	W mm			
GI-A	15 x 15 0846 0570 ***	16,5	17,5	-	-	100
GI-A	15 x 30 0846 0580 ***	16,5	30,5	-	-	70
GI-A	25 x 40 0846 0590 ***	27	40,5	-	-	48
GI-A	40 x 40 0846 0610 ***	40	40,5	-	-	36
GI-B	40 x 60 0846 0620 ***	40	57,5	15	28	24
GI-B	40 x 90 0846 0635 ***	40	90	45	63	24
GI-B	40 x 110 0846 0650 ***	40	110,5	50,5	68	12
GI-B	60 x 110 0846 0755 ***	61	110,5	50,5	68	12
GI-VIDEO	40 x 90 0846 0120 030	40	90	45	63	24
GI-VIDEO	60 x 110 0846 0750 030	60	110,5	50,5	68	12



\* The cable trunking GI-VIDEO are only available in colour ivory (030).

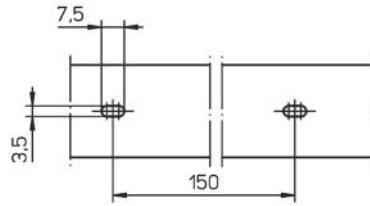
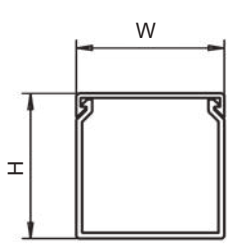


C3/1-02

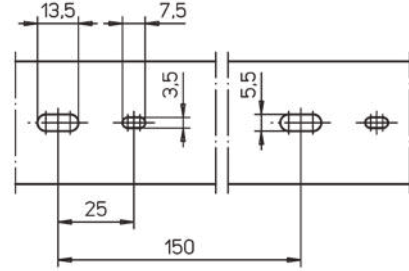
C4/5-01



**GI-A**

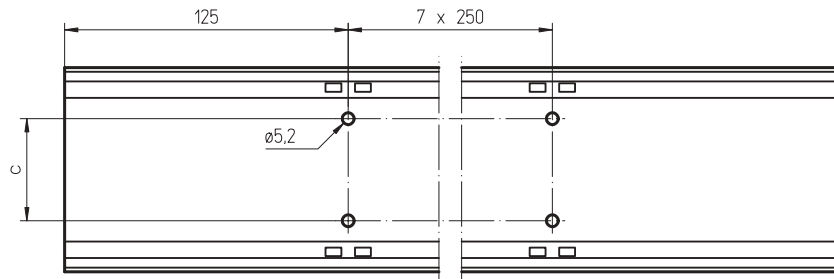
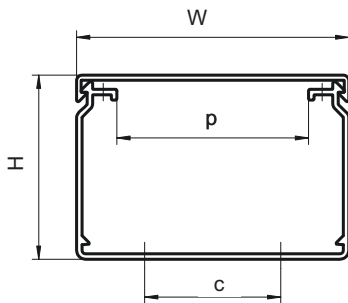


Punching for trunking  
GI-A 15x15 und 15x30



Punching for trunking  
GI-A 25x40 and 40x40

**GI-B / GI-VIDEO**



# Locking carriers BV for cable trunking

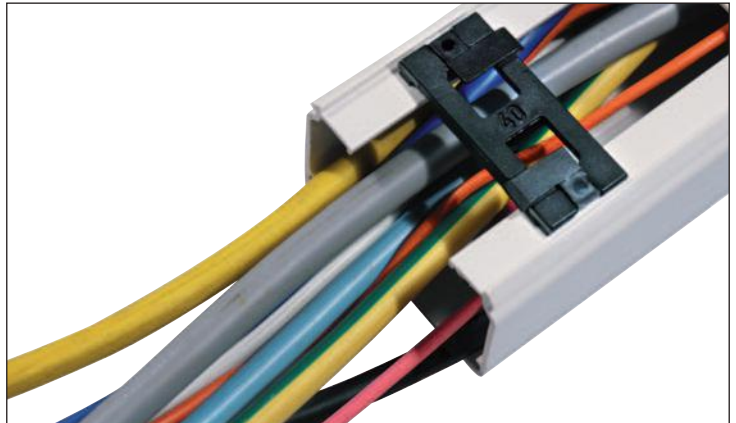



BV



## BV

**Material:** modified PA high impact  
**Colour:** black  
**Operating temperatures:** -20 to +70°C  
**Elongation at break:** > 250 %  
**Dielectric strength:** > 23 kV/mm



Carriers		for trunking		 pcs
type	art. no.	type	art. no.	
<b>BV-40</b>	0846 0511 010	GI-B 40 x 60	0846 0620 ***	25
<b>BV-70</b>	0846 0501 010	GI-B 40 x 90	0846 0635 ***	25
		GI-VIDEO 40x90	0846 0120 030	
<b>BV-80</b>	0846 0521 010	GI-B 40 x 110	0846 0650 ***	25
		GI-B 60 x 110	0846 0755 030	
		GI-VIDEO 60 x 110	0846 0750 030	



C4/1-01



# Cable trunking miniature plain with base punching

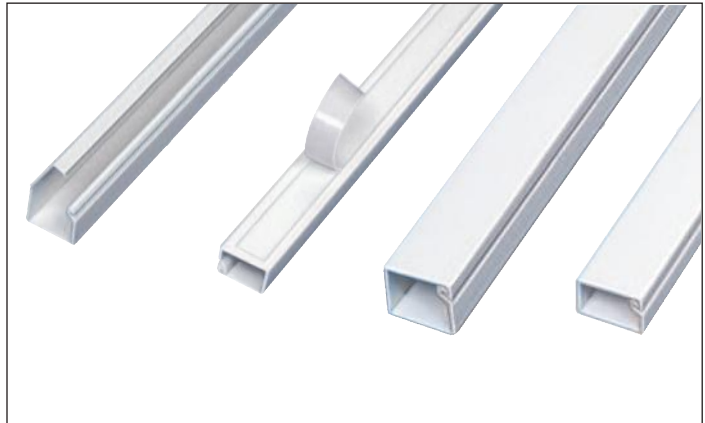


GI-M




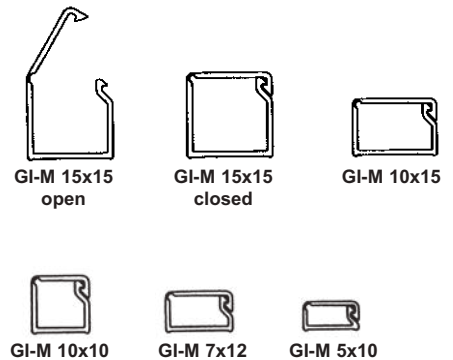
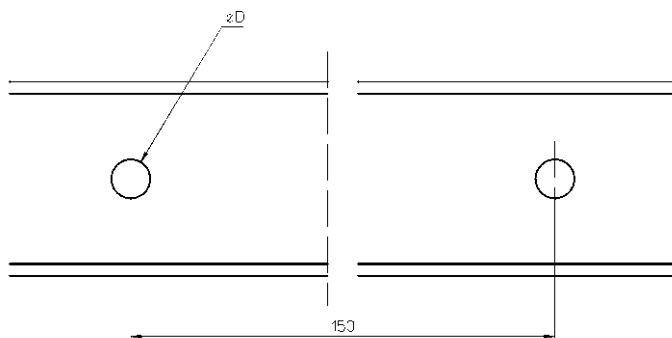
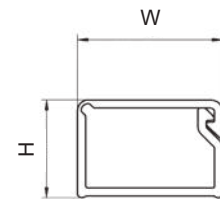
## GI-M

<b>Material:</b>	rigid PVC modified choc
<b>Colour:</b>	white (RAL 9001)
<b>Operating temperatures:</b>	-20 to +60°C
<b>Density:</b>	1,53
<b>Volume resistivity:</b>	10 <sup>14</sup> Ω.cm
<b>Dielectric strength:</b>	15kV/mm
<b>Specification:</b>	V0 UL94
<b>Standard length:</b>	2 meters
<b>Minimum quantity:</b>	1 complete pack (with hinged lid)



GI-M miniature trunking are extruded in one piece. They are available with hinged lid and with or without adhesive foam tape. Foam tape is ideal for absorbing the irregularities on uneven surfaces. For some applications, we recommend further attachment with screws and wall plugs.

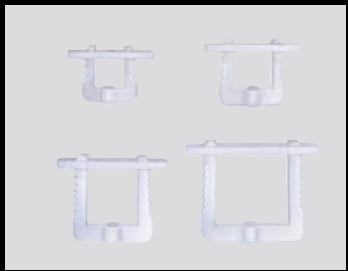
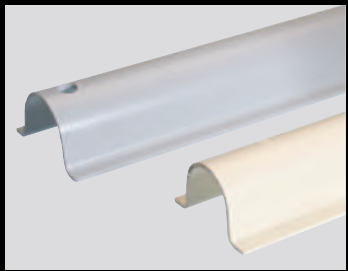
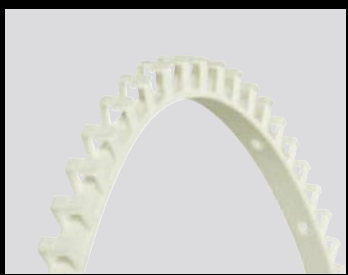
type	article number	ext. dimensions		Ø D mm	 m
		H mm	W mm		
GI-M 5 x 10 T	0846 0911 001	6	11	2,2	48
GI-M 7 x 12 T	0846 0921 001	8	13	2,2	48
GI-M 10 x 10 T	0846 0931 001	11	11	2,2	48
GI-M 10 x 15 T	0846 0941 001	11	16	3,2	48
GI-M 15 x 15 T	0846 0951 001	16	16	3,2	48





# C6

## Miscellaneous retaining products







In addition to the standard trunking, SES-STERLING now offers a range of miscellaneous retaining products and can, upon request, submit a quotation for special lengths in PVC.

page

• C6/1

### **PLIOFLEX flexible trunking**

PLIOFLEX is a flexible cable routing system for use in control panels, distribution boards. Thanks to its special form and flexibility it can be used for many other applications.

The programme presents 2 models of PLIOFLEX trunking:

- rectangular type FXD
- round type GMF



• C6/2

### **PLIO-XE cable clips for cable routing**

PLIO-XE cable clips are available in Polyamide or in Polypropylene and can be used in addition to or instead of cable trunking.



• C6/3

### **PLIOLINE protection channel**

for underground cables and utility poles...

Available in various colours, the PLIOLINE protection channel in rigid PVC is attached to wooden or concrete poles.



• C6/4

### **Profiles for switch boards Special profiles**



### GMF - FXD

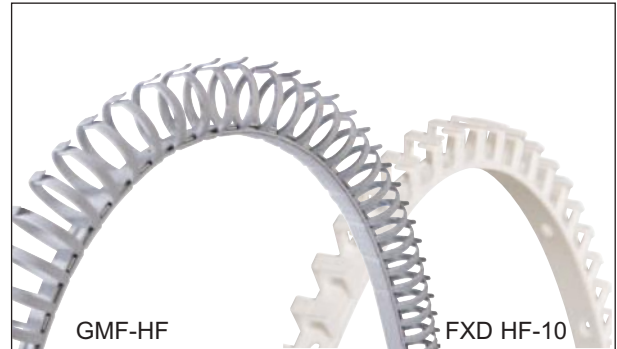
**Material:** polypropylene,  
quality flame resistant

**Color:** light grey RAL 7035

**Operating temperatures:** -40 to +70°C (fixing with screw)  
-40 to +60°C (fixing with adhesive tape)

**Specification:** V2 UL94  
halogen-free


**Application:** PLIOFLEX is a flexible cable trunking system for use in control panels, distribution boards, or in difficult to reach areas.



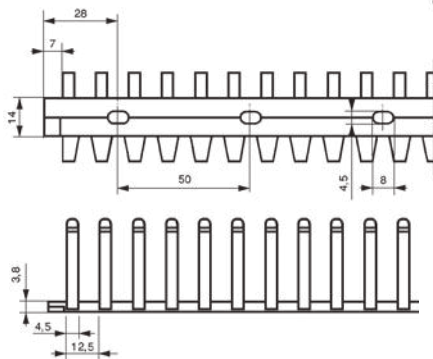
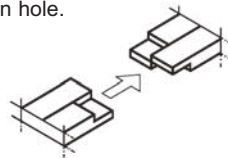
type	artide number	boxes	type	artide number	packs	H mm	L mm	D mm
		pce			pce			
<b>without adhesive tape (in lengths of 50 cm)</b>								
FXD HF-10	0588 0010 001	100				13,5	11	-
GMF HF-20	0847 0020 013	60	GMF HF-20 SB	0847 0025 013	2	24	23	19
GMF HF-30	0847 0030 013	36	GMF HF-30 SB	0847 0035 013	2	35	33	28
GMF HF-40	0847 0040 013	24				46	44	37
<b>with adhesive tape (in lengths of 50 cm)</b>								
GMF HF-20T	0847 0120 013	60	GMF HF-20T SB	0847 0125 013	2	24	23	19
GMF HF-30T	0847 0130 013	36	GMF HF-30T SB	0847 0135 013	2	35	33	28
GMF HF-40T	0847 0140 013	24				46	44	37



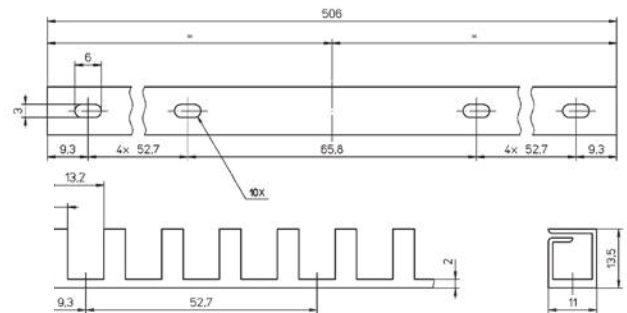
Bag with 2 pces

 Bag available with a European suspension hole.

Two or several lengths can be joined by snapping the ends together.



Round form: GMF



Square form: FXD

- Application:**
- Attach the cable trunking - webs turned upwards, connect one cable end and laterally insert the cable up to the requested branch point, connect the opposite cable end.
  - We recommend the PLIOZIP 20/25 tool (see page A5/3-02) for the inserting of cables.
  - We also recommend SES-marker rings for the identification of your cables.



- Attachment:**
- With screws, using the DIN standard base punching.  
Recommended screws:  
GMF - M4 with cheese head DIN 84 A and washer or M4 with cheese head DIN 85 A and washer;  
FXD - M3 with cheese head DIN 85 A and washer or M3 with cheese head DIN 85 A and washer.
  - By the adhesive on the T type using a smooth, dry, clean and degreased surface (do not touch the adhesive). The assembly temperature must be above 10°C.

# PLIO® cable clips for cable routing

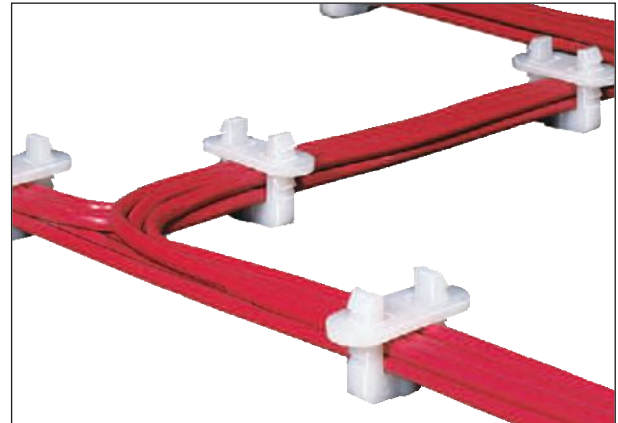


SES-XE



## XE

<b>Materials:</b>	polyamide 6	polypropylene
<b>Colours:</b>	natural	black
<b>Operating temperatures:</b>	-20 to +85°C	-20 to +65°C
<b>Density:</b>	1,13	0,90
<b>Volume resistivity:</b>	10 <sup>13</sup> Ω.cm	10 <sup>16</sup> Ω.cm
<b>Dielectric strength:</b>	> 20 kV/mm	> 20 kV/mm
<b>Minimum quantity:</b>	1 complete pack	

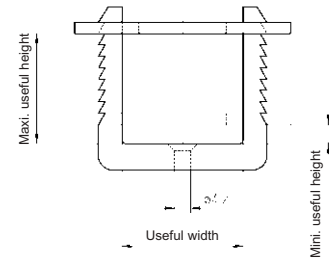


XE cable clips can be used in addition to or instead of cable trunking and are usually recommended when there are many cable entries or difficult access.

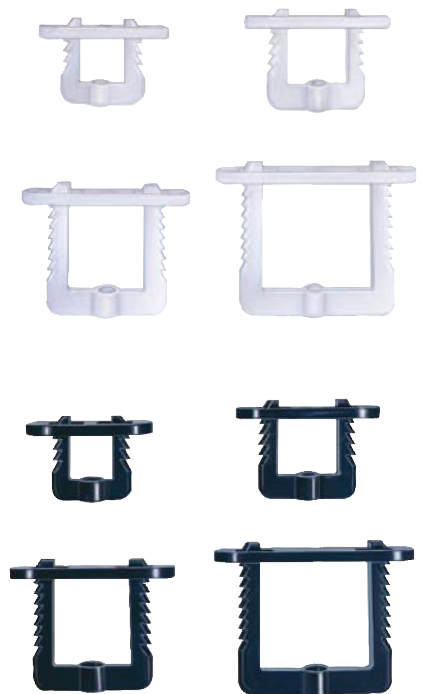
XE clips allow clear access and achieve open installation.

Unlike cable ties, XE clips permit adjustment or modification of cabling at any time, they are ideal for prototype installations.

It is an ideal article for the manufacturers of machines or the experimental installations.



type	article number	used width mm	used height		clamping capacity maxi. mm <sup>2</sup>	pce
			mini. mm	maxi. mm		
<b>XE cable clip with attach in natural polyamide</b>						
XE 13	0136 0001 018	13	2	11	140	100
XE 18	0136 0002 018	18	2	14	250	100
XE 23	0136 0003 018	22	2	23	500	100
XE 33	0136 0004 018	32	5	29	920	100
<b>XE cable clip with attach in black polypropylene</b>						
XE 13 PP	0136 0021 010	13	2	11	140	100
XE 18 PP	0136 0022 010	18	2	14	250	100
XE 23 PP	0136 0023 010	22	2	23	500	100
XE 33 PP	0136 0024 010	32	5	29	920	100



# PLIOLINE protection channel for underground cables and utility poles



PLIOLINE

## PLIOLINE GV

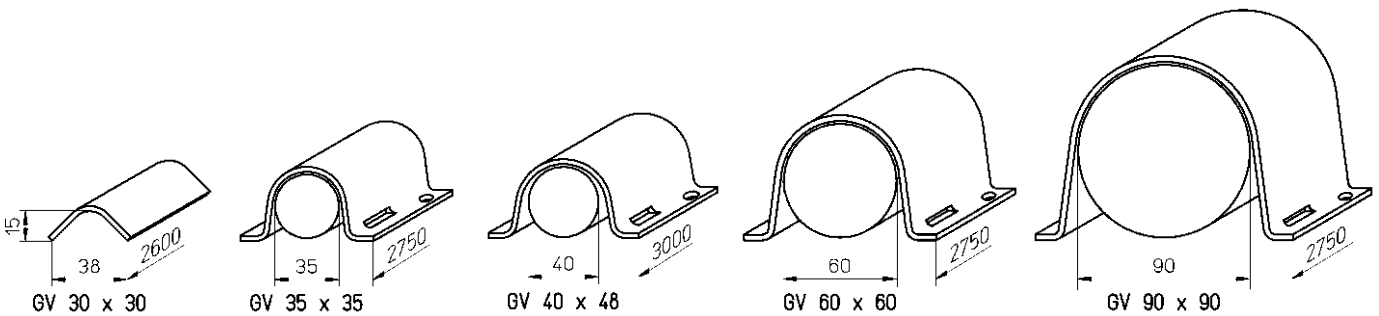
**Material:** rigid PVC modified choc, quality 9057  
**Operating temperatures:** -20 to +60°C  
**Dielectric strength:** 15 kV/mm  
**Volume resistivity:** 10<sup>14</sup> Ω.cm  
**Flame resistance:** V0 UL94  
**Specifications:** Complies with EDF HN 60 S 02 technical specification.  
 UV and weather resistant.  
 Impact resistant according to HN 60-E-03.  
 Colour grey according to norm NF X 08-002/A640 and near RAL 7001.



Example for order:

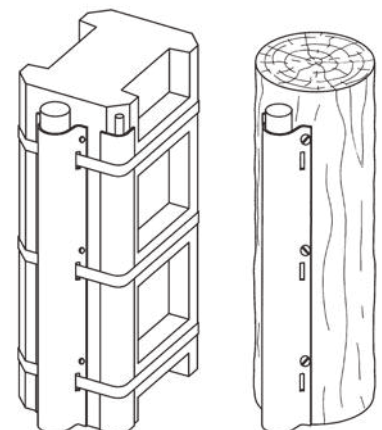
code group	detail article	code colour
0806	0xxx	xxx

type	article number	brown (BN)	grey (GY)	ivory (IY)	pce	length mm	capacity cable Ø maxi. (mm)	H mm	L mm	N EDF	use
		006	013	030							
GV 30 x 30	0806 0041 ***	x	x	x	10	2600	7	17,5	42	68.80.535	earth cable
GV 35 x 35	0806 0043 ***	x	x	x	5	2750	35	38	68	68.80.540	protection for underground connections
GV 40 x 48	0806 0042 ***		x		5	3000	40	41	77		
GV 60 x 60	0806 0044 ***	x	x	x	5	2750	60	63	98	68.80.542	
GV 90 x 90	0806 0045 ***	x	x	x	5	2750	90	93	131	68.80.544	



PLIOLINE channel for the protection of underground to surface cables (earth, BT, MT) is attached to concrete or wooden poles with stainless steel strips or screws. Only the ground wire profile has no holes or slots and is secured by means of a strip.

At each end of these profiles is a hole that allows to bind them for transport (except GV 30x30).

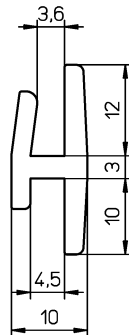


## AP 4

<b>Material:</b>	rigid PVC modified choc, quality 9057
<b>Operating temperatures:</b>	-20 to +60°C
<b>Colour:</b>	grey
<b>Pack:</b>	length of 1 m
<b>Specification:</b>	V0 UL94
<b>Application:</b>	profile used for switch boards and panels, specially adapted for assembling two protection screens.



type	article number	 m
AP 4	0843 0010 049	10

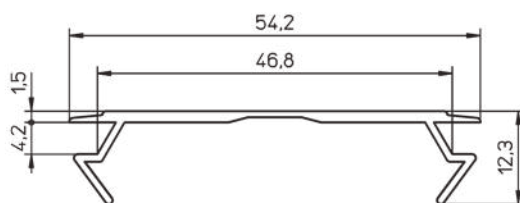


## AA 45

<b>Material:</b>	rigid PVC modified choc, quality 9057
<b>Operating temperatures:</b>	-20 to +60°C
<b>Colour:</b>	grey
<b>Pack:</b>	length of 1 m
<b>Specification:</b>	V0 UL94
<b>Application:</b>	cover profile for switch boards and electrical panels.



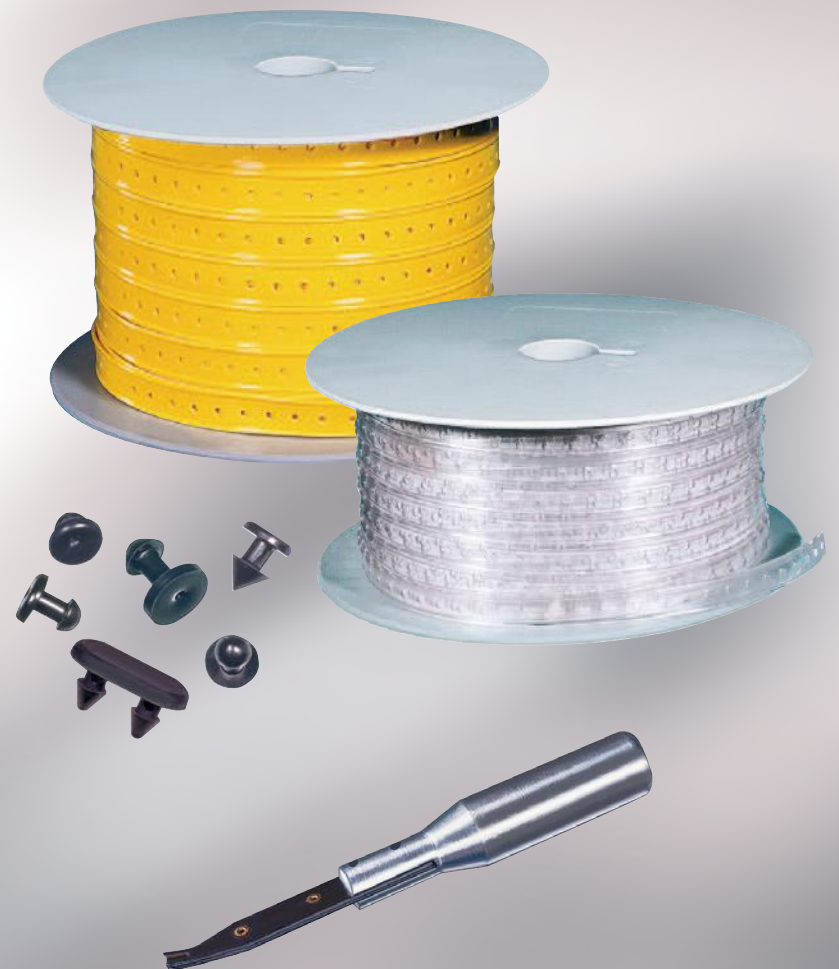
type	article number	 m
AA 45	0843 0020 049	10





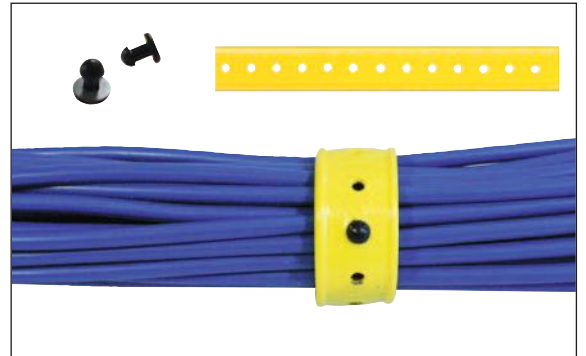
# C9

## Strapping and fixing of cables



**Strapping PLIO**

**Materials:** flexible PVC  
**Colours:** transparent (indoor use)  
 black - grey - yellow (outdoor use)  
**Temperatures of use:** -20 to +60°C  
**Hardness Shore A:** 85 ±5  
**Tensile strength at break:** >20 MPa  
**Ultimate elongation:** 300 %  
**Dielectric strength:** 20 kV/mm  
**Applications:** designed to neatly bind cables, conductors, wires and tubes.



Standard colours:

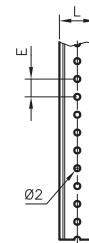


Example for order:

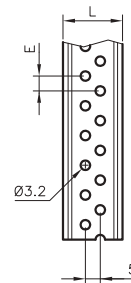
code group	detail article	code colour
0811000	xx	xx

type	article number		L mm	E mm	studs to use	m
	black-transp-grey	yellow				
PLIO 8	0811 0001 ***	0821 0005 004	8	6	n° 1, 4	50
PLIO 12	0811 0002 ***	0821 0006 004	12	7	n° 2, 2bis, 4	50
PLIO 20	0811 0003 ***	0821 0007 004	20	5	n° 3	50
PLIO 40*	0811 0005 ***	-	40	5	n° 3	25

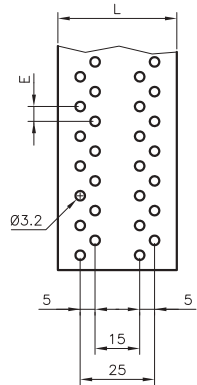
PLIO 8  
PLIO 12



PLIO 20



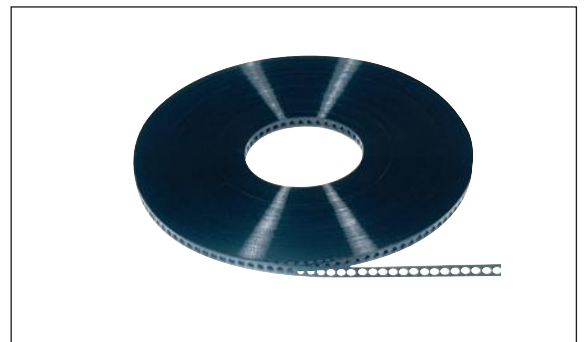
PLIO 40



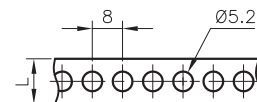
\* The strapping PLIO 40 is not available in colours grey and yellow.

**Strapping PA-E reinforced**

**Material:** stretched polyamide   
**Colour:** black  
**Temperatures of use:** -40 to +110°C  
**Breaking load between two perforations:** ca. 65 daN  
**Ultimate elongation:** 3 %  
**Applications:** is distinguished by its high strength and heat resistance. Used both for underground cables and for pipes and cables of large diameters.



type	article number	L mm	studs to use	m
PA-E 12 black	0830 0001 010	12	n° 5 PA	50



C9/1-03 - Fixing studs



C9/1-03 - Stud tool



C14/1-01 - Accessories

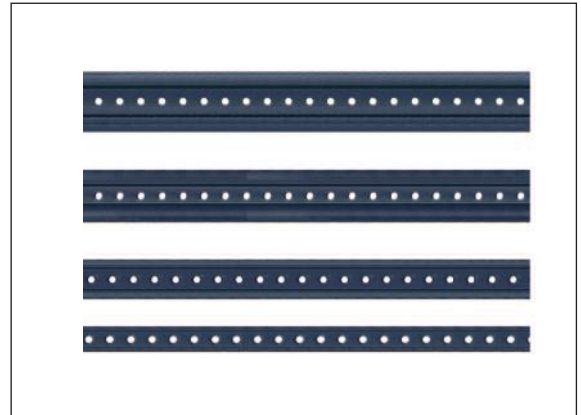


## Strapping HELAVIA

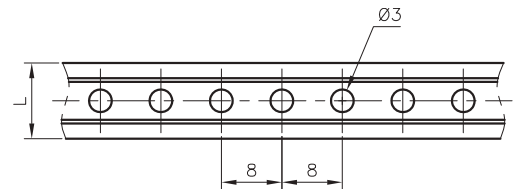
**Material:** nitrile rubber  
**Colour:** black  
**Temperatures of use:** -20 to +85°C  
**Tensile strength:** > 14 MPa  
**Ultimate elongation:** 400 %  
**Chemical resistance:**

- good resistance to solvents
- good resistance to ozone
- good resistance to aging

**Applications:** for outdoor use (bad weather) for the attachment of large cables, pipes or other. Elastic and flexible, it does not alter the wiring harnesses.



type	article number	L mm	studs to use	m
Rubber strapping 10 mm	0208 0001 010	10	n° 3 PA	10
Rubber strapping 15 mm	0208 0002 010	15	n° 3 PA	10
Rubber strapping 20 mm	0208 0003 010	20	n° 3 PA	10
Rubber strapping 25 mm	0208 0004 010	25	n° 3 PA	10



C9/1-03 - Fixing studs



C9/1-03 - Stud tool



C14/1-01 - Accessories



## Strapping and mounting base FB

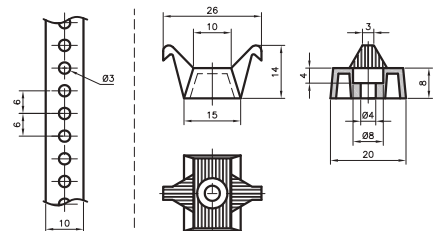
### SES FIX FB

<b>Materials:</b>	<b>Strapping</b>	flexible PVC	<b>Mounting base</b>	polyamide
	<b>Colours:</b>	transparent		black
	<b>Operating temperatures:</b>	-15 to +80°C		-20 to +85°C
	<b>Chemical resistance:</b>	<ul style="list-style-type: none"> <li>• good resistance to ozone</li> <li>• good resistance to aging</li> </ul>		

**Applications:** used when wiring for securing wire bundles, power lines of all kinds. Thanks to its elasticity, this strapping allows easy and effective mounting using the supplied mounting base.



type	article number	contents	set
FB140	0106 0001 000	50 base + 5 m strapping 10 mm	1 set
FB120	0814 0001 011	2 rolls of 50 m strapping 10 mm	1 set





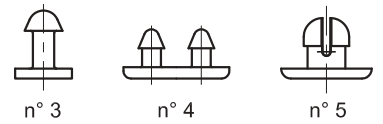
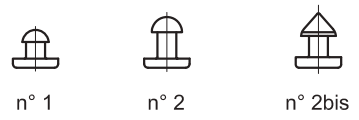


## Studs

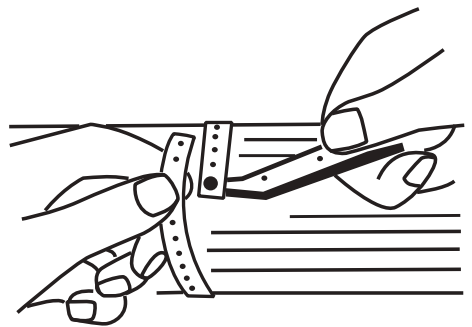
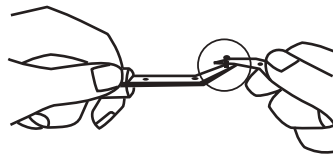
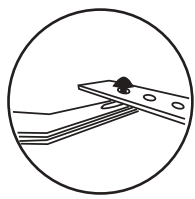
	Stud PS	Stud PA
<b>Materials:</b>	polystyrene chock	polyamide 6
<b>Colour:</b>	black	black
<b>Operating temperatures:</b>	-40 to +70°C	-20 to +85°C



type	article number	for strapping	pcs
<b>Fixing studs in polystyrene</b>			
n° 1 PS	0103 0001 010	PLIO 8	500*
n° 2 PS	0103 0002 010	PLIO 12	500*
n° 2bis PS	0103 0003 010	PLIO 12	500*
n° 3 PS	0103 0004 010	PLIO 20	500*
<b>Fixing studs in polyamide</b>			
n° 1 PA	0104 0009 010	PLIO 8	500
n° 2bis PA	0104 0010 010	PLIO 12	500
n° 3 PA	0104 0006 010	PLIO 40	500
n° 4 PA	0104 0007 010	PLIO 8 - PLIO 12	500
n° 5 PA	0104 0008 010	PA-E 12	500
<b>Stud tool for studs n° 1 - 2 - 2bis and 3</b>			
2061	0408 0001 000		1



\* available in clusters



C14/1-01 - Accessories





## ABSA

**Material:** polyamide 6  
(continuous filaments 60 denier impregnated with 30 to 35% wax.)

**Temperature of use:** -20 to +60°C

**Colour:** natural


**Elongation at break:** 10 to 40 %

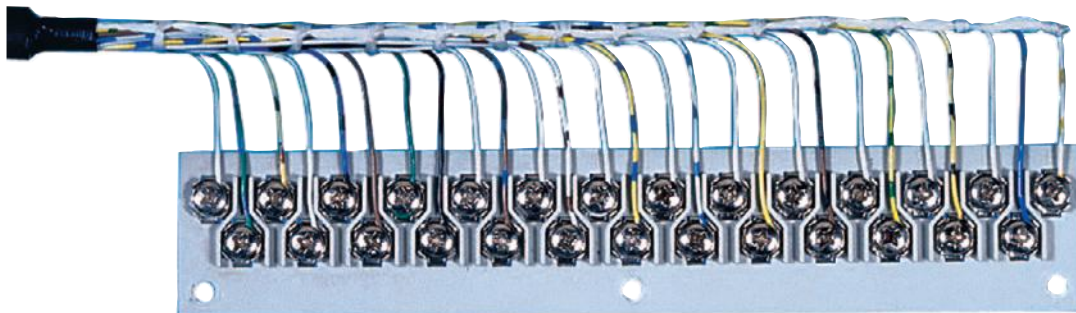
**Resistance :**

- to micro-organisms: good
- to ozone: good
- to ageing: good

**Applications:** ABSA nylon lacing cords are formed as a slightly rounded mass of continuous filaments which flatten, form a tight knot and will not penetrate insulations. Use of this type of cord eliminates the inconvenience and dangers of cuts and weals to operators fingers usually experienced with the round mono-filament type cords.



type	artide number	length per bobbin (m)	width x thickness cord (mm)	tensile strength (daN)	count of the cord (dtex)	 bobbin
<b>Standard bobbins - natural</b>						
ABSA 2/840 B	0643 0001 001	200	1,1 x 0,3	13	1880	12
ABSA 3/840 B	0643 0002 001	200	1,2 x 0,4	19	2800	12
ABSA 4/840 B	0643 0003 001	200	1,3 x 0,5	26	3700	12
ABSA 6/840 B	0643 0004 001	200	1,4 x 0,6	39	5600	6
<b>Large bobbins - natural</b>						
ABSA 2/840 RB	0643 0030 001	500	1,1 x 0,3	13	1880	12
ABSA 3/840 RB	0643 0031 001	500	1,2 x 0,4	19	2800	6
ABSA 4/840 RB	0643 0032 001	500	1,3 x 0,5	26	3700	6





# C10

Cable clamps



# SES-CM miniature "P" cable clamps SES-CU universal "P" cable clamps




SES

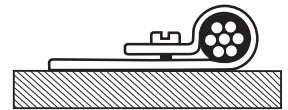


## SES-CM

**Material:** polyamide 6  
**Colour:** black  
**Operating temperatures:** -20 to +70°C  
**Capacity:** 3 to 7,5 mm according to type  
**Flame resistance:** V2 UL94  
**U.V. resistance:** good  
**Application:** adjustable miniature cable clamps which are ideal for fixing cables.

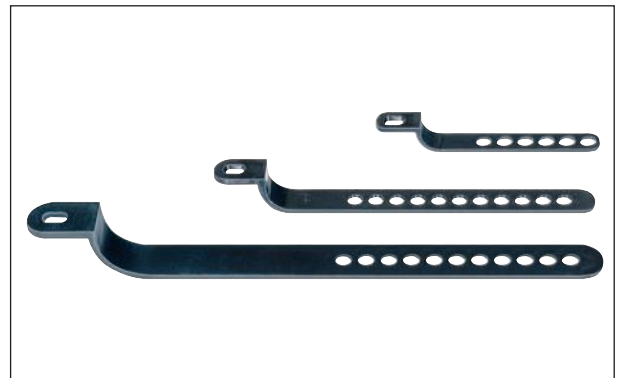



type	artide number	clamping Ø mm	number of holes	holes Ø mm	
CM-1	0109 0001 010	4,5 - 6	2	3,2	100
CM-2	0109 0002 010	4,5 - 5,25 - 6	3	3,2	100
CM-3	0109 0003 010	3 - 5,5 - 7,5	3	4,2	100

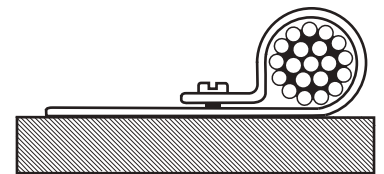



## SES-CU

**Material:** polyamide 6  
**Colour:** black  
**Operating temperatures:** -20 to +70°C  
**Capacity:** 6 to 50 mm according to type  
**Flame resistance:** V2 UL94  
**U.V. resistance:** good  
**Application:** adjustable miniature cable clamps which are ideal for fixing cables and cable bundles.



type	artide number	clamping Ø mm	number of holes	holes Ø mm	
CU-18	0110 0001 010	6 - 18	6	5,2	100
CU 36	0110 0002 010	7,5 - 36	11	5,2	100
CU 50	0110 0003 010	25 - 50	11	5,2	50



 C10/30: set screws



## SES-CX

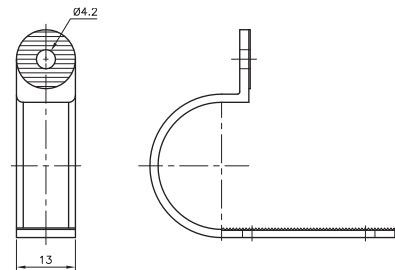
**Material:** polyamide 6  
**Colour:** black  
**Operating temperatures:** -40 à +130°C  
**Tensile strength at break:** 45 MPa  
**Flame resistance:** V2 UL94  
**Dielectric strength:** 60 kV/mm  
**Resistance:** to ageing, ozone, UV radiation and corrosion.



**Applications:** SES-CX moulded "P" clips can clamp a wide range of cable diameters as they are equipped with adjustable slots.



type	artide number	clamping Ø mm	
CX-6	0114 0001 010	4,5 - 6,5	100
CX-9	0114 0002 010	6 - 9	100
CX-13	0114 0003 010	7,5 - 13	100
CX-21	0114 0004 010	13 - 21	100
CX-28	0114 0005 010	21 - 28	100
CX-35	0114 0006 010	28 - 35	100



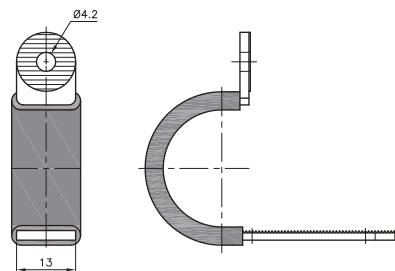
## SES-CX rubber sleeved

**Material:** polyamide 6  
**Colour:** black  
**Sleeving:** polychloroprene  
**Operating temperatures:** -30 à +90°C  
**Tensile strength at break:** 45 MPa  
**Flame resistance:** V2 UL94  
**Dielectric strength:** >13 kV/mm  
**Resistance:** to ageing, ozone, UV radiation and corrosion.

**Applications:** SES-CX moulded "P" clips can clamp a wide range of cable diameters as they are equipped with adjustable slots. The rubber sleeve will be found indispensable for clamping sensitive equipment or elements subjected to vibration.



type	artide number	clamping Ø mm	
CX-6 caoutchouc	0114 0021 010	2 - 5	100
CX-9 caoutchouc	0114 0022 010	4 - 7	100
CX-13 caoutchouc	0114 0023 010	7 - 11	100
CX-21 caoutchouc	0114 0024 010	10 - 17	100
CX-28 caoutchouc	0114 0025 010	14 - 24	100
CX-35 caoutchouc	0114 0026 010	22 - 32	100



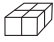


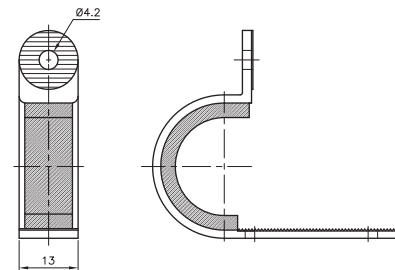
## SES-CX with foam coating


**Material:** polyamide 6  
**Colour:** black  
**Coating:** polychloropren foam  
**Operating temperatures:** -40 to +70°C  
**Tensile strength at break:** 45 MPa  
**Flame resistance:** V2 UL94  
**Dielectric strength:** >13 kV/mm  
**Resistance:** to ageing, ozone, UV radiation and corrosion.

**Applications:** SES-CX moulded "P" clips can clamp a wide range of cable diameters as they are equipped with adjustable slots. They will be found indispensable for clamping sensitive equipment or elements subjected to vibration.



type	artide number	clamping Ø mm	
<b>CX-6 mousse</b>	0114 0031 010	1 - 5	100
<b>CX-9 mousse</b>	0114 0032 010	2 - 7	100
<b>CX-13 mousse</b>	0114 0033 010	5 - 11	100
<b>CX-21 mousse</b>	0114 0034 010	6 - 17	100
<b>CX-28 mousse</b>	0114 0035 010	12 - 24	100
<b>CX-35 mousse</b>	0114 0036 010	20 - 30	100



 C10/30: set screws





## SES-CV / SES-CN

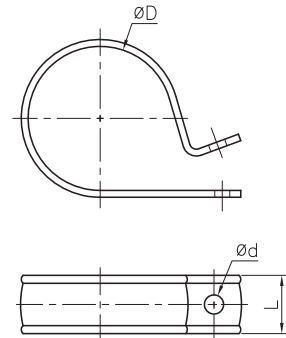
<b>Materials:</b>	<b>SES-CV</b> hard-PVC	<b>SES-CN</b> polyamide 6	
<b>Colours:</b>	grey	black	
<b>Operating temperatures:</b>	-20 to +65°C	-40 to +130°C	
<b>Flame resistance</b>	V0 UL94	HB UL94	
<b>Dielectric strength:</b>	35 kV/mm	60 kV/mm	

**Résistance:** to ageing, ozone, UV radiation and corrosion.

**Applications:** preformed clips for everyday use for cables or bundles.



SES-CV		SES-CN		int. Ø D (mm)	width L (mm)	hole Ø d (mm)	
type	article number 013	type	article number 010				
CV 3	0118 0001 013	CN 3	0120 0001 010	3	7	3	100
CV 5	0118 0002 013	CN 5	0120 0002 010	5	7	3	100
CV 6	0118 0003 013	CN 6	0120 0003 010	6	7	3	100
CV 7	0118 0004 013	CN 7	0120 0004 010	7	12	5	100
CV 8	0118 0005 013	CN 8	0120 0005 010	8	12	5	100
CV 9	0118 0006 013	CN 9	0120 0006 010	9	12	5	100
CV 10	0118 0007 013	CN 10	0120 0007 010	10	12	5	100
CV 12	0118 0008 013	CN 12	0120 0008 010	12	12	5	100
CV 14	0118 0009 013	CN 14	0120 0009 010	14	12	5	100
CV 16	0118 0010 013	CN 16	0120 0010 010	16	12	5	100
CV 18	0118 0011 013	CN 18	0120 0011 010	18	12	5	100
CV 20	0118 0012 013	CN 20	0120 0012 010	20	12	5	100
CV 22	0118 0013 013	CN 22	0120 0013 010	22	12	5	100
CV 24	0118 0014 013	CN 24	0120 0014 010	24	12	5	100
CV 26	0118 0015 013	CN 26	0120 0015 010	26	12	5	100
CV 28	0118 0016 013	CN 28	0120 0016 010	28	12	5	100
CV 30	0118 0017 013	CN 30	0120 0017 010	30	12	5	50
CV 34	0118 0018 013	CN 34	0120 0018 010	34	12	5	50
CV 38	0118 0019 013	CN 38	0120 0019 010	38	16	5	50
CV 42	0118 0020 013	CN 42	0120 0020 010	42	16	5	50
CV 46	0118 0021 013	CN 46	0120 0021 010	46	16	5	50
CV 50	0118 0022 013	CN 50	0120 0022 010	50	16	5	50



C10/30: set screws



# SES-SP clamps with adhesive base



SES



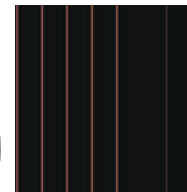
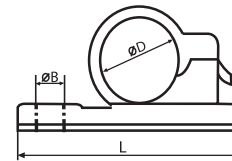
## SES-SP

**Material:** polyamide 6.6  
**Colour:** black  
**Operating temperatures:** -40 to +80°C  
**Dielectric strength:** 550 kV/mm  
**Flame resistance:** V2 UL94  
**Adhesive:** adhesive foam protected by release paper

**Application:** clamp with adhesive base with clip for closing, for fixing of cables. It can be fixed on the support by a screw M4 or using an adhesive at the places where drilling is impossible. The opening of the support is carried out using a screwdriver. It is advisable to read the instructions for the particular adhesive being used, for example "using on a clean and smooth surface".



type	article number	Ø D	Ø B	dimensions (mm)				100
				L	H	A	B	
SP-06	0686 0210 010	6	4,9	25,6	13,2	7,7	13,2	100
SP-09	0686 0220 010	9	4,9	28,5	15,5	8,2	13,3	100
SP-12	0686 0230 010	12	5,2	34,5	19,5	11,6	16,4	100
SP-14	0686 0240 010	14	4,8	36,4	20,3	11,2	16,4	100
SP-16	0686 0250 010	16	5,2	38,2	21,3	12	16,1	100
SP-18	0686 0260 010	18	4,8	41	24,8	11	16,2	100



# SES-CT adhesive miniature clamp

SES

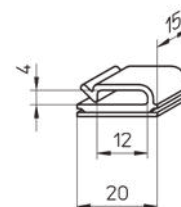


## SES-CT

**Material:** high impact Polystyrene  
**Colour:** light grey RAL7035  
**Operating temperatures:** -40 to +70°C  
**Dielectric strength:** 150 kV/mm  
**Adhesive:** adhesive foam protected by release paper.  
**Pack:** 10 carriers of 10 pre-cut cable clamps  
**Application:** guide and route wires



type	article number	100
SES-CT	0711 0001 013	100







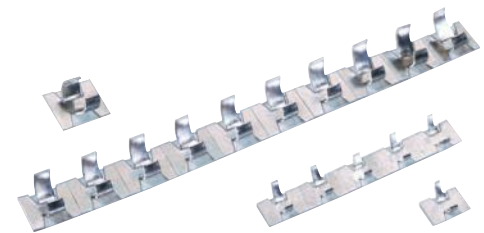
## SES-GFB

**Material:** aluminium  
**Colour:** natural alu  
**Operating temperatures:** -40 to +70°C  
**Adhesive:** adhesive foam protected by a film  
**Adhesion:** 0,7 N/cm<sup>2</sup> (e.g. stainless steel)

**Applications:** cable clamps are ideal when plastic clamps cannot be used. They are of little bulk and hold wires or cables by manual locking (no tool). They are easy to fix when conditions concerning adhesive supports are respected.



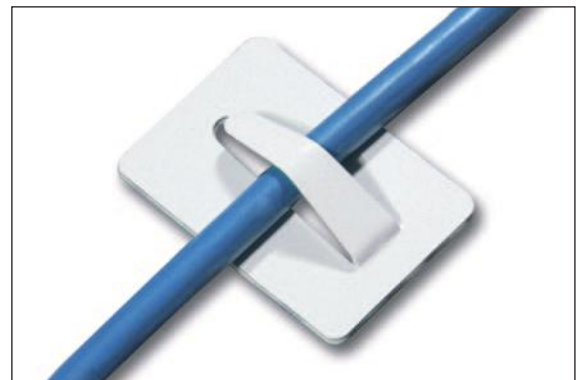
type	article number	capacity Ø maxi mm	base dimensions mm	
GFB - 6	0711 0010 000	6	11 x 16	500
GFB - 10	0711 0020 000	10	16 x 19	500



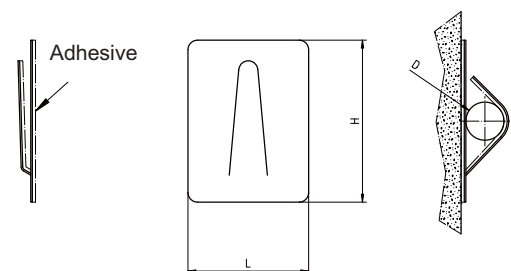
## SAF

**Material:** galvanized steel  
**Colour:** white  
**Operating temperatures:** -30 to +60°C  
**Adhesive:** acrylic on polyethylene foam

**Applications:** recommended in environments where drilling is not allowed (noise and/or dust) as in the corridors of hospital services in activity. They can also be used when drilling is not possible or when the area is difficult to access. The metal tab can be deformed and adapted to all types of conductors up to an overall diameter of 16 mm.



type	article number	H mm	L mm	D mm	
SAF MINI	0711 0030 000	20	15	3	100
SAF 1	0711 0031 000	30	20	4	100
SAF 2	0711 0032 000	35	25	8	100
SAF 3	0711 0033 000	43	31	12	100
SAF 4	0711 0034 000	51	38	16	100

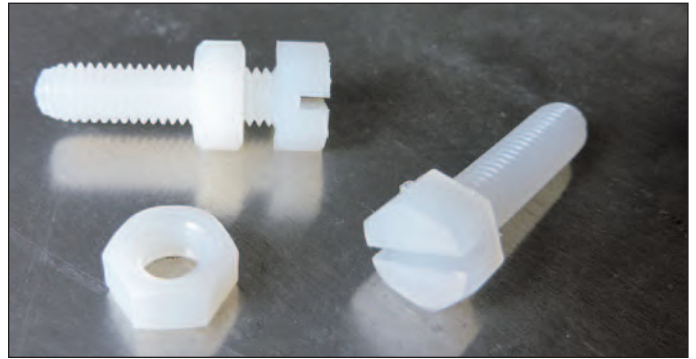


**IMPORTANT:** Good adhesion with our products is achieved by a smooth, clean, dry and perfectly degreased surface of the substrate and when the adhesive is not touched.  
 In general, we recommend preliminary tests.  
 For self-adhesive products, we can give no guarantee.

**Set screws SES**

**Material:** polyamide 6.6  
**Colour:** natural  
**Operating temperatures:** -30 to +85°C  
**Dielectric strength:** 25 kV/mm  
**Density:** 1,14 (7 times less than steel)

**Applications:** ideal for fixing cable clamps, strappings or other cabling accessories, particularly where conditions deny the use of metallic devices.



**Inalterability:**



No oxidization in damp medium, resists corrosion and many chemicals. Does not rust. Can be released when metallic screws must be cut or broken loose. .

**Torque:**



Torque is less strong than for metallic screws but it can be increased by using a larger diameter.

For SES screws, we recommend use of a dynamometric screwdriver or wrench.

• Polyamide set screws with slotted hexagon head

type	article number	screw Ø x feet	L mm	head		
					height mm	
VNH 3/50-7	0611 0021 018	3 x 0,5	7	5	5 x 3	100
VNH 3/50-10	0611 0022 018	3 x 0,5	10	5	5 x 3	100
VNH 3/50-15	0611 0023 018	3 x 0,5	15	5	5 x 3	100
VNH 3/50-20	0611 0024 018	3 x 0,5	20	5	5 x 3	100
VNH 4/70-10	0611 0025 018	4 x 0,7	10	7	7 x 4	100
VNH 4/70-15	0611 0026 018	4 x 0,7	15	7	7 x 4	100
VNH 4/70-22	0611 0027 018	4 x 0,7	20	7	7 x 4	100
VNH 4/70-30	0611 0028 018	4 x 0,7	30	7	7 x 4	100
VNH 5/80-10	0611 0029 018	5 x 0,8	10	8	8 x 4,5	100
VNH 5/80-15	0611 0030 018	5 x 0,8	15	8	8 x 4,5	100
VNH 5/80-20	0611 0031 018	5 x 0,8	20	8	8 x 4,5	100
VNH 5/80-25	0611 0032 018	5 x 0,8	25	8	8 x 4,5	100
VNH 5/80-30	0611 0033 018	5 x 0,8	30	8	8 x 4,5	100

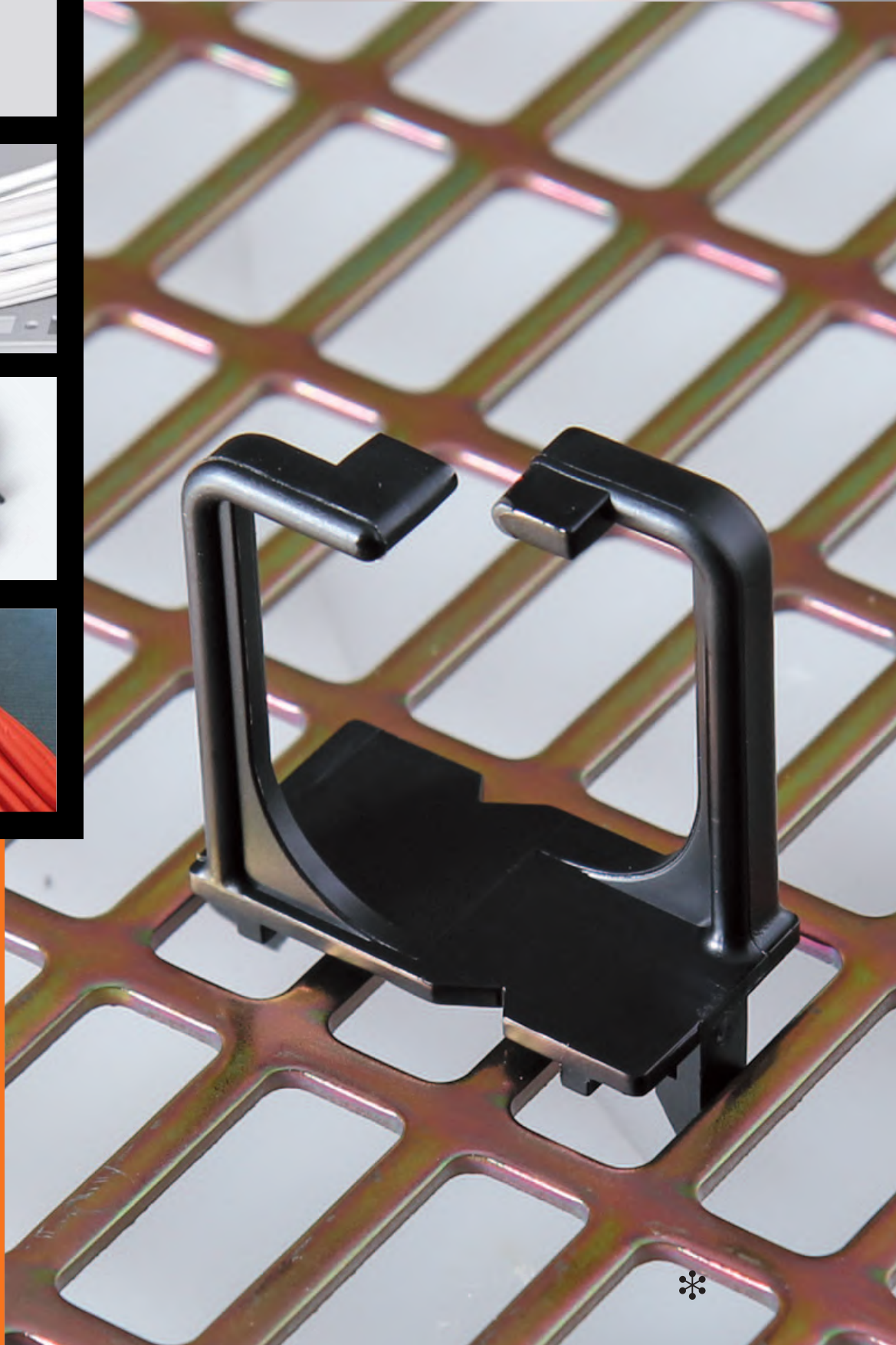
• Polyamide hexagon nuts

type	article number	Ø int. mm	feet mm	thickness		
					mm	
E 3/50	0611 0034 018	3	0,5	5	2,5	100
E 4/70	0611 0035 018	4	0,7	7	3	100
E 5/80	0611 0036 018	5	0,8	8	4	100






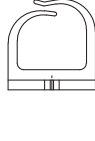

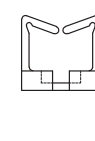
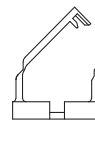
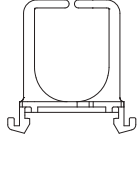


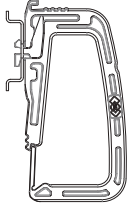
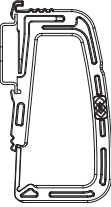
# C11

Fixing accessories





Pages	C11/1				C11/2				C11/3	
	<b>Cable lock with rivet</b>				<b>Cable lock to clip</b>	<b>Cable lock to screw</b>				<b>Cable lock to clip</b>
Type	TE-R350	OM-R150	MU-R200	GA-R200	GA-W	TE-V350	OM-V150	MU-V200	GA-V200	PI-D1100
Drawing										
Material	polyamide 6.6				polyamide	polyamide 6.6				
Operating temperatures	-40 to +85°C				-20 to +85°C	-40 to +85°C				
Specification	V2 UL94				HB UL94	V2 UL94				
Colours	natural - black				black	natural - black				

Pages	C11/4	
	<b>Cable guide</b>	
Type	<b>DELTA L</b>	<b>DELTA M</b>
Drawing		
Material	polyamide 6.6	
Operating temperatures	-40 to +85°C	
Specification	V2 UL94	
Colours	grey	


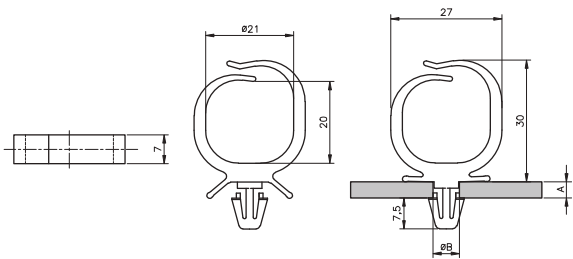
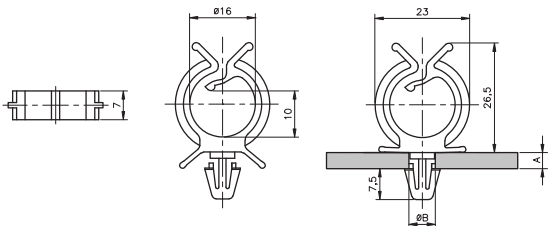
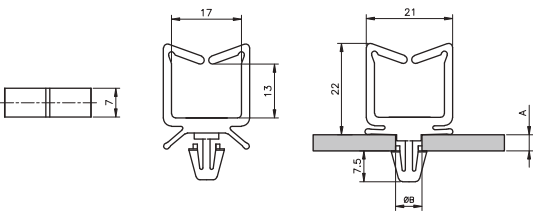
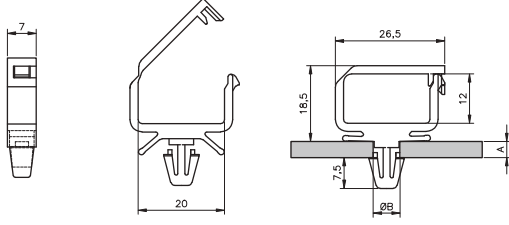




## PLIOCATCH with rivet

**Material :** polyamide 6.6  
**Colours:** natural - black  
**Operating temperatures:** -40 to +85°C  
**Flame resistance:** V2 UL94  
**Application:** fixing system with rivet for machines or electrical cabinet. The range includes 4 models in two colours to meet different constraints. These cable locks allow the addition or the removal of cables for a small footprint.



type	article number		A mm	ØB mm			
	natural (NL)	black (BK)					
TE-R350	0190 0121 018	0190 0121 010	1...3	6...6,4	100		
OM-R150	0190 0221 018	0190 0221 010	1...3	6...6,4	100		
MU-R200	0190 0321 018	0190 0321 010	1...3	6...6,4	100		
GA-R200	0190 0421 018	0190 0421 010	1...3	6...6,4	100		

**PLIOCATCH GA-W**

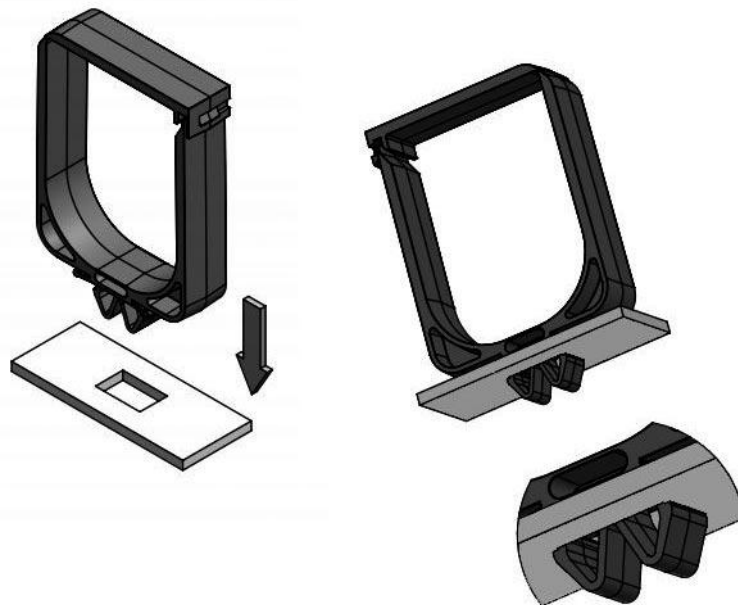
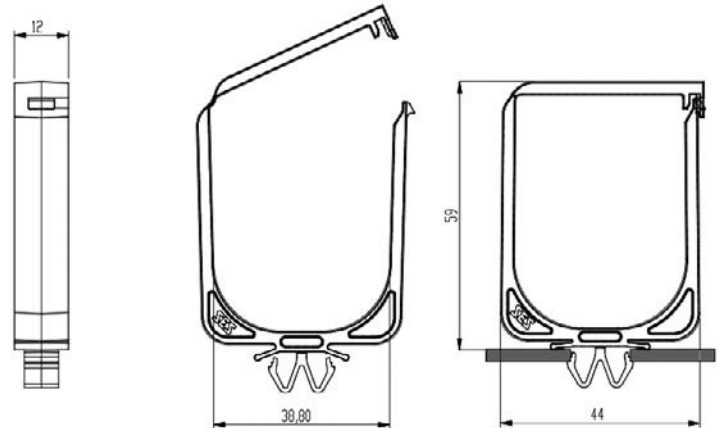
**Material:** polyamid  
**Colour:** black  
**Operating temperatures:** -40 to +85°C  
**Fire resistance:** V2 UL94

**Application:** The PLIOCATCH GA-W 2400 is recommended for horizontal and vertical cable passage at the front or rear of modular elements. Its fixation is ensured by means of its innovative W clip to fit all square holes 9,5 x 9,5 mm up to 12,5 x 12,5 mm. Installation is possible on the sections, rails or perforated sheet and a thickness of 1.5 (9,5 x 9,5) and 1,5 to 2,0 mm (10 x 10 to 12,5 x 12,5)..

The upper part is provided with a hinge and a snap closure, releasable at any time. Once the cables in place, the PLIOCATCH can thus be closed and the maintenance of the cables. Its capacity is equivalent to that of a trough 60 x 40 mm.



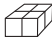
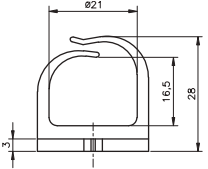
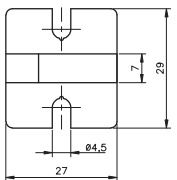
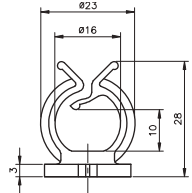
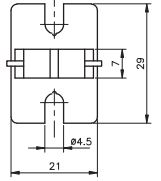
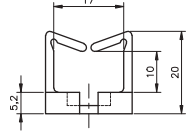
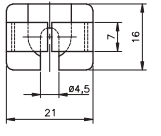
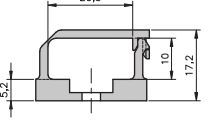
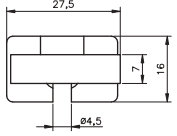
type	article number	
GA-W 2400	0190 0651 010	10



**PLIOCATCH with screw**

**Material :** polyamide 6.6  
**Colours:** natural - black  
**Operating temperatures:** -40 to +85°C  
**Flame resistance:** V2 UL94  
**Application:** fixing system with screw for machines or electrical cabinet. The range includes 4 models in two colours to meet different constraints. These cable locks allow the addition or the removal of cables for a small footprint.



type	code article			Technical drawings	
	natural (NL)	black (BK)		Front view	Side view
TE-V350	0190 0111 018	0190 0111 010	100		
OM-V150	0190 0211 018	0190 0211 010	100		
MU-V200	0190 0311 018	0190 0311 010	100		
GA-V200	0190 0411 018	0190 0411 010	100		

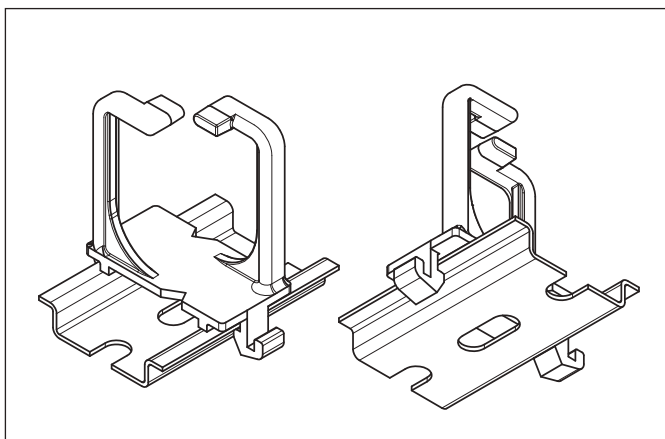
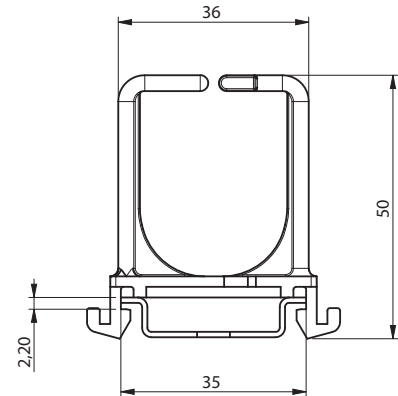
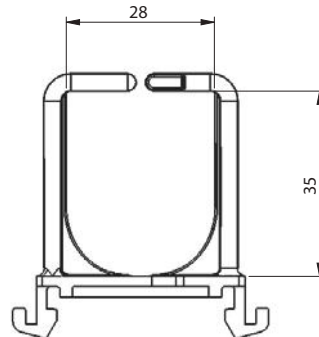
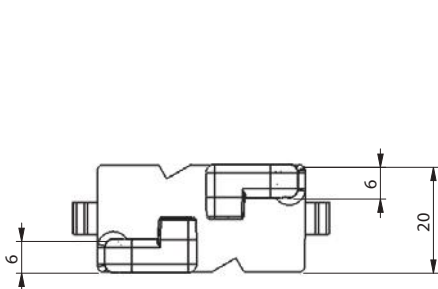
**PLIOCATCH with clip**

**Material :** polyamide 6.6  
**Colours:** natural - black  
**Operating temperatures:** -40 to +85°C  
**Flame resistance:** V2 UL94

**Application:** The PLIOCATCH with clip is used on support grid or DIN rail. It allows to maintain cables while offering quick and easy wiring. Whether it is provisional (for wiring) or permanent to maintain cables, PLIOCATCH PI will adapt to any application in a box or cabinet.



type	article number		
	natural (NL)	black (BK)	
PI-D1100	0190 0531 018	0190 0531 010	100





**PLIOCATCH DELTA**

**Material:** polyamide 6.6  
**Colour:** grey  
**Operating temperatures:** -40 to +85°C  
**Flame resistance:** V2 UL94

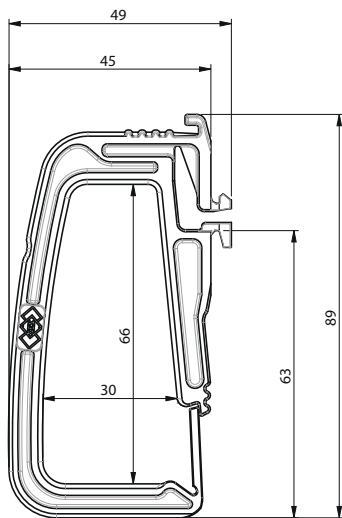
**Application:** The PLIOCATCH DELTA are recommended for the horizontal passage of cables from the back or front of the modular elements mounted on a double profile DIN or a rail DIN OMEGA.

- 4 configurations are possible:
- On a double profile DIN: DELTA M front or rear
  - On a rail DIN OMEGA: DELTA M front and DELTA L rear on the oblong hole 6.2 x 15 mm

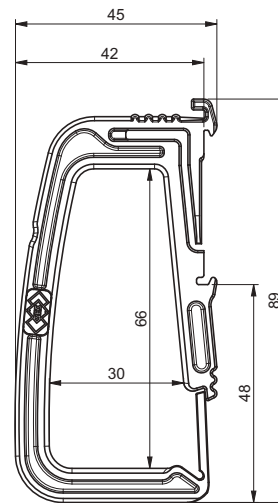
The position of the opening for insertion or withdrawal of cable is directly below the apparatus allowing easy wiring. Capacity equivalent to a cable trunking of 60x40 mm, but with a smaller footprint to ensure the cables routing even when the space between the rows of equipment is low.



type	article number	
DELTA L	0190 0601 013	10
DELTA M	0190 0602 013	10



**DELTA L**  
0190 0601 013



**DELTA M**  
0190 0602 013

