

# Punch driver sets

## Hand hydraulic punch driver & metric punches



### Product description

The compact, lightweight hand hydraulic punch driver makes it easy to punch holes into stainless V2A steel, mild steel, aluminium or plastics with a max. sheet thickness of 3 mm (V2A: 2 mm), due to its high hydraulic force. The cylinder of the punch driver rotates 360° on 3 axles, so maximum flexibility even in hard-to-reach places is provided.

The punch driver can be used with all icotek punches and also with punches of other manufacturers.

### Advantages & benefits

- Maximum flexibility due to 360° head rotation
- High hydraulic force (60 kN, 600 bar) for easy punching
- Compact, lightweight aluminium design (2 kg)
- Fast and easy operation
- Punch driver also suitable for punches by other manufacturers

### Specifications

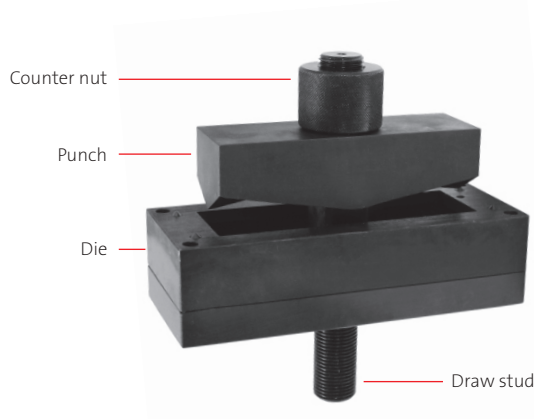
Material	<b>Aluminium</b>
Punching force	<b>60 kN</b>
Operating pressure	<b>600 bar</b>

### Accessories

Round punches	214 – 215
Rectangular & square punches	213

Type	Scope of delivery	Order No.	PU
Punch driver set BASIC	1 hand hydraulic punch driver (weight: 2 kg) 1 draw stud Ø 9.5 mm (3/8" UNF) to Ø 19 mm (3/4" UNF), L: 110 mm 1 draw stud Ø 19 mm (3/4" UNF), L: 130 mm 1 spacer 1 tube lubricant 1 HSS co pilot drill (multi step drill) 1 robust plastic storage case	80000	1
Punch driver set PRO 16-32	1 hand hydraulic punch driver (weight: 2 kg) 1 draw stud Ø 9.5 mm (3/8" UNF) to Ø 19 mm (3/4" UNF), L: 110 mm 1 draw stud Ø 19 mm (3/4" UNF), L: 130 mm 1 spacer 1 tube lubricant 1 HSS co pilot drill (multi step drill) 1 each knockout punch M16   M20   M25   M32 1 robust plastic storage case	80005	1
Punch driver set PRO 16-63	1 hand hydraulic punch driver (weight: 2 kg) 1 draw stud Ø 9.5 mm (3/8" UNF) to Ø 19 mm (3/4" UNF), L: 110 mm 1 draw stud Ø 19 mm (3/4" UNF), L: 130 mm 1 spacer 1 tube lubricant 1 HSS co pilot drill (multi step drill) 1 each knockout punch M16   M20   M25   M32   M40   M50   M63 1 robust plastic storage case	80006	1

# Rectangular & square punches sized for heavy multi-pin industrial connectors & icotek cable entry systems



Type	Cut-out size	Max. sheet thickness	For cut-out of connector	Order No.	PU
Punch 22x45	22 x 45 mm	2 mm		80059	1
Punch 92x92	92 x 92 mm	2 mm		80060	1
Punch 125x125	125 x 125 mm	2 mm		80063	1
Punch 66x112	66 x 112 mm	2 mm		80061	1
Punch E2	24 x 43 mm	2 mm		80055	1
Punch E3	24 x 65mm	2 mm		80056	1
Punch E4	24 x 86mm	2 mm		80057	1
Punch E5	24 x 112mm	2 mm		80058	1
Punch 6	36 x 52 mm	2 mm	6-pin	80062	1 <span style="color: red; font-weight: bold;">NEW</span>
Punch 6 for stainless steel V2A	36 x 52 mm	2 mm	6-pin	80149	1 <span style="color: red; font-weight: bold;">NEW</span>
Punch B	46 x 46 mm	2 mm		80050	1
Punch B for stainless steel V2A	46 x 46 mm	2 mm		80150	1
Punch 10	36 x 65 mm	2 mm	10-pin	80051	1
Punch 10 for stainless steel V2A	36 x 65 mm	2 mm	10-pin	80151	1
Punch 16	36 x 86 mm	2 mm	16-pin	80052	1
Punch 16 for stainless steel V2A	36 x 86 mm	2 mm	16-pin	80152	1
Punch 24	36 x 112 mm	2 mm	24-pin	80053	1
Punch 24 for stainless steel V2A	36 x 112 mm	2 mm	24-pin	80153	1
Punch 24-XL	46 x 112 mm	2 mm	24-pin	80054	1
Punch 24-XL for stainless steel V2A	46 x 112 mm	2 mm	24-pin	80154	1

## Product description

Rectangular and square punches and dies make it easy to punch holes into stainless steel (V2A versions), mild steel, aluminium or plastics with a max. sheet thickness of 2 mm. Available for cut-outs sizes of 10-, 16-, and 24- multi-pin heavy industrial connectors and also for numerous special cut-outs. Therefore, the punches are suitable for most icotek cable entry systems. Centre punches are integrated in the die for exact drilling of mounting holes.

The punches are for hydraulic operation only.

## Advantages & benefits

- Centre punches for exact drilling of mounting holes
- Robust plastic storage case
- Suitable for hand hydraulic punch driver by icotek and other manufacturers

## Specifications

Material **Steel, hardened and burnished**

## Scope of delivery

Punch, die and draw stud,  
robust plastic storage case

## Compatible with

Hydraulic punch driver 212

# Round punches

for cut-outs PG 16, M16 - M85



Multi-fold slug splitting



Punch set M16 - M63  
Order No. 80007

## Product description

Self-centering knockout punches for stainless steel (V2A versions), mild steel, aluminium and plastic walls with max. sheet thickness of 3 mm (V2A: max. 2 mm). Punches available for cut-outs PG 16, M16, M20, M25, M32, M40, M50, M63, M75 and M85. Cut-outs for icotek split cable glands and round cable entry plates can be punched.

The special cutting geometry of the punch reduces the cutting pressure and therefore the required effort. The punch splits slugs into several pieces (type related)\* for easy slug removal. For installation of round switches icotek offers a PG 16 punch with an integrated 3 mm twist protection notch.

The punches are designed for manual and hydraulic operation.

## Advantages & benefits

- Multiple splitting punches for easier slug removal / for easy punching
- Suitable with hand hydraulic punch driver by icotek or other manufacturers

## Specifications

Material **Steel, hardened and burnished**

## Scope of delivery

Punch and die (without draw stud)

## Compatible with

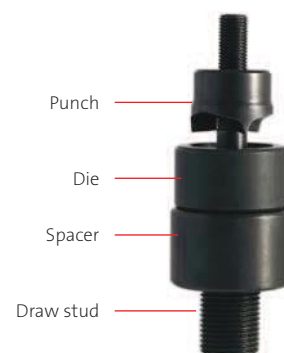
Hydraulic punch driver 212

Type	Cut-out diameter	Max. sheet thickness	Thread Ø	Order No.	PU
Punch set M16 – M63	16.2 – 63.5 mm	2 mm/3 mm	9.5 mm/19 mm	80007	1
Punch M16	16.2 mm	2 mm	9.5 mm	80020	1
Punch M16** for stainless steel V2A	16.2 mm	2 mm	9.5 mm	80120	1
Punch M20	20.4 mm	2 mm	9.5 mm	80021	1
Punch M20** for stainless steel V2A	20.4 mm	2 mm	9.5 mm	80121	1
Punch M25	25.4 mm	2 mm	9.5 mm	80022	1
Punch M25** for stainless steel V2A	25.4 mm	2 mm	9.5 mm	80122	1
Punch M32	32.5 mm	3 mm	19 mm	80023	1
Punch M32 for stainless steel V2A	32.5 mm	2 mm	19 mm	80123	1
Punch M40	40.5 mm	3 mm	19 mm	80024	1
Punch M40 for stainless steel V2A	40.5 mm	2 mm	19 mm	80124	1
Punch M50	50.5 mm	3 mm	19 mm	80025	1
Punch M50 for stainless steel V2A	50.5 mm	2 mm	19 mm	80125	1

\*\*Draw stud (Order No. 80210) is required.

\*Except punches M75/M85

# Round punches for cut-outs PG 16, M16 - M85



Type	Cut-out diameter	Max. sheet thickness	Thread Ø	Order No.	PU
Punch M63	63.5 mm	3 mm	19 mm	80026	1
Punch M63 for stainless steel V2A	63.5 mm	2 mm	19 mm	80126	1
Punch M75	75.5 mm	2 mm	19 mm	80029	1
Punch M85	86 mm	2 mm	19 mm	80030	1
Punch PG 16	22.5 mm	3 mm	9.5 mm	80027	1
Punch PG 16 with twist protection notch	22.5 mm + 3 mm notch	3 mm	9.5 mm	80028	1
Punch PG 16 with twist protection notch, for stainless steel V2A	22.5 mm + 3 mm notch	2 mm	9.5 mm	80128	1
Draw stud	with adapter 11.1 x 19.0 mm for V2A punches M16 - M25			80210	1
Draw stud	for punches M16 – M25, Ø 9.5 mm to Ø 19 mm, L: 105 mm			80200	1 <span style="background-color: red; color: white; padding: 2px;">NEW</span>
Draw stud	for punches M32 – M85, Ø 19 mm, L: 125 mm			80201	1 <span style="background-color: red; color: white; padding: 2px;">NEW</span>

\*\*Draw stud (Order No. 80210) is required.

## Product description

Self-centering knockout punches for stainless steel (V2A versions), mild steel, aluminium and plastic walls with max. sheet thickness of 3 mm (V2A: max. 2 mm). Punches available for cut-outs PG 16, M16, M20, M25, M32, M40, M50, M63, M75 and M85. Cut-outs for icotek split cable glands and round cable entry plates can be punched.

The special cutting geometry of the punch reduces the cutting pressure and therefore the required effort. The punch splits slugs into several pieces (type related)\* for easy slug removal. For installation of round switches icotek offers a PG 16 punch with an integrated 3 mm twist protection notch.

The punches are designed for manual and hydraulic operation.

## Advantages & benefits

- Multiple splitting punches for easier slug removal/for easy punching
- Suitable with hand hydraulic punch driver by icotek or other manufacturers

## Specifications

Material **Steel, hardened and burnished**

## Scope of delivery

Punch and die (without draw stud)

## Compatible with

Hydraulic punch driver 212

\*Except punches M75/M85